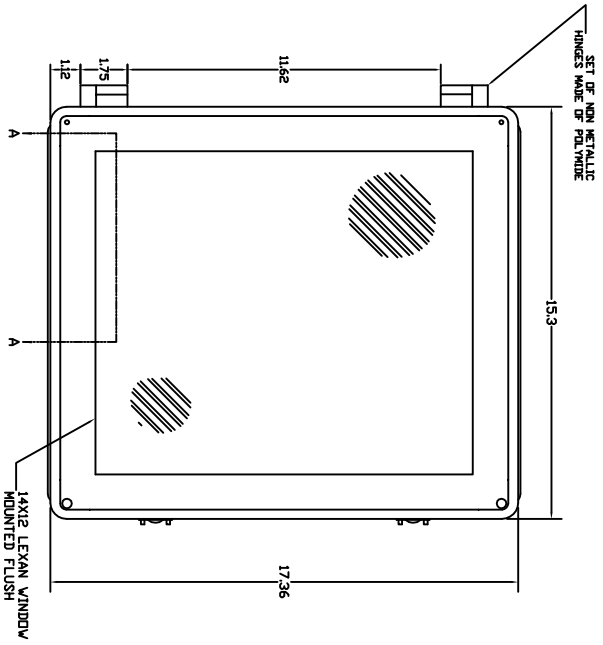
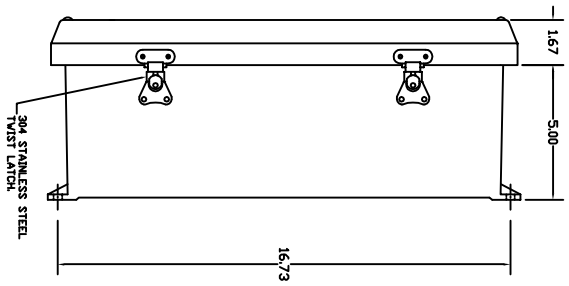


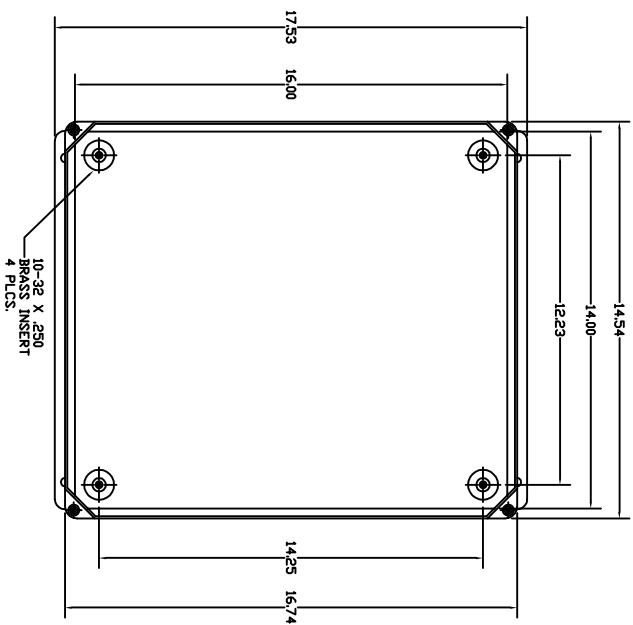
FRONT VIEW



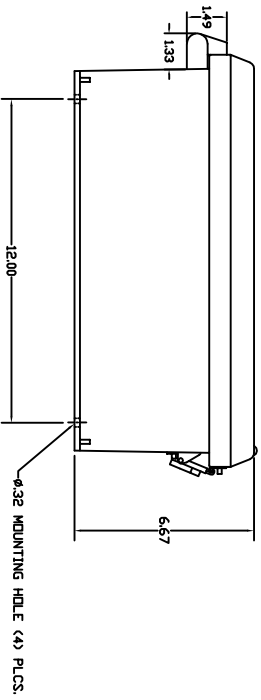
RIGHT SIDE VIEW



FRONT VIEW COVER REMOVED

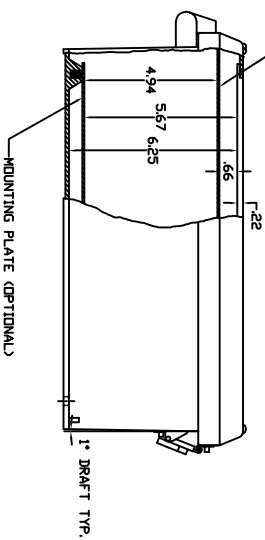


END VIEW



HINGED FRONT PANEL (OPTIONAL)

SECTION A-A



- NOTES:
1. ENCLOSURE MATERIAL MADE OF GRAY (RAL 7096)
 2. HOT MOLDED FIBERGLASS REINFORCED POLYESTER.
 3. ULL LISTED PER STD. 508, (FILE# E94319)
 4. USN CERTIFIED PER STD. 622, (FILE# LR6508)
 5. IEC 529 RATED IP 66
 6. RESISTANT TO TEMPERATURES UP TO 150 DEG C.
 7. SELF EXTINGUISHING AND HALOGEN FREE.
 8. ACCESSORIES INCLUDING: BACK PANEL, HINGEABLE FRONT PLATES, HINGED COVERS, PRINT POCKET, LATCHES, WINDOWS, AND VENTILATORS.
 9. CABINETS ARE MAINTENANCE FREE AND CORROSION RESISTANT.
 10. BACKPANEL SIZE 14.75" X 12.88"

VYNCKLER ENCLOSURE SYSTEMS INC. 10000 W. 10TH AVENUE DENVER, CO 80231 PHONE: 303.426.1100 FAX: 303.426.1101 WWW.VYNCKLER.COM		VYNCKLER ENCLOSURE SYSTEMS INC. 10000 W. 10TH AVENUE DENVER, CO 80231 PHONE: 303.426.1100 FAX: 303.426.1101 WWW.VYNCKLER.COM	
VYNCKLER ENCLOSURE SYSTEMS INC. VJ SERIES ENCLOSURE VYNCKLER PART# VJ06141NHVLL2	DATE: 08/11/01 DRAWN BY: J. J. BIRKHAMILLER CHECKED BY: J. J. BIRKHAMILLER SCALE: 1:1 SHEET: 0	DATE: 08/11/01 DRAWN BY: J. J. BIRKHAMILLER CHECKED BY: J. J. BIRKHAMILLER SCALE: 1:1 SHEET: 0	DATE: 08/11/01 DRAWN BY: J. J. BIRKHAMILLER CHECKED BY: J. J. BIRKHAMILLER SCALE: 1:1 SHEET: 0