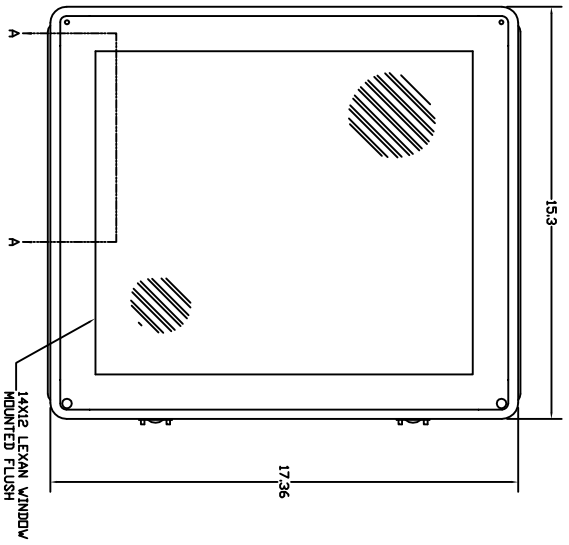
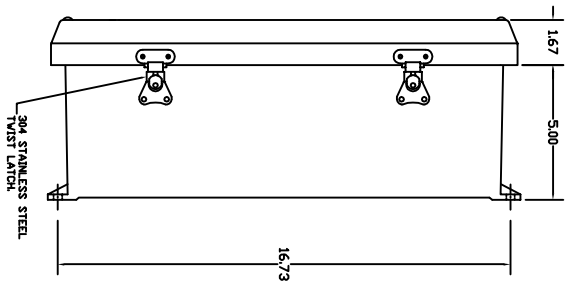


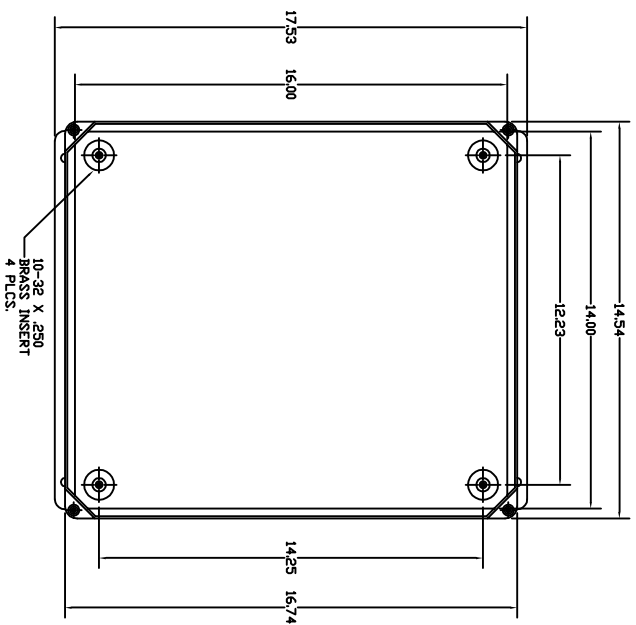
FRONT VIEW



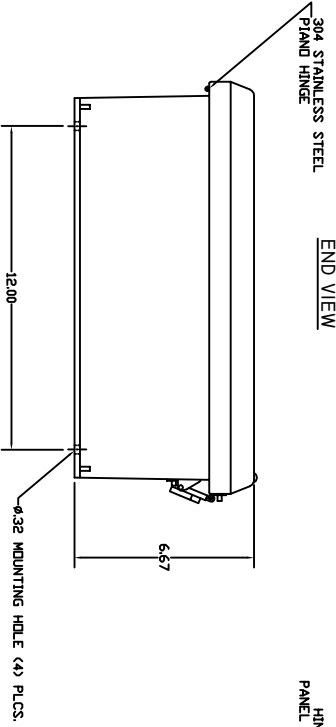
RIGHT SIDE VIEW



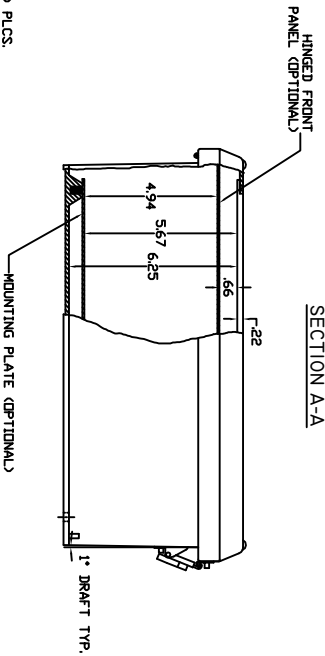
FRONT VIEW COVER REMOVED



END VIEW



SECTION A-A



- NOTES:
1. ENCLOSURE MATERIAL MADE OF GRAY (RAL 7096)
 2. HOT MOLDED FIBERGLASS REINFORCED POLYESTER.
 3. U/L LISTED PER STD. 508, (FILE# E94319)
 4. CSA CERTIFIED PER STD. C22.2 NO. 94, (FILE# LR6508)
 5. IEC 529 RATED IP 66
 6. RESISTANT TO TEMPERATURES UP TO 150 DEG C.
 7. SELF EXTINGUISHING AND HALOGEN FREE.
 8. ACCESSORIES INCLUDING: BACK PANEL, HINGEABLE FRONT PLATES, HINGED COVERS, PRINT POCKET, LATCHES, WINDOWS, AND VENTILATORS.
 9. CABINETS ARE MAINTENANCE FREE AND CORROSION RESISTANT.
 10. BACKPANEL SIZE 14.75" X 12.88"

VYNCKIER ENCLOSURE SYSTEMS INC. 1000 W. 10TH AVENUE SUITE 200 DENVER, COLORADO 80202 PHONE: (303) 733-1111 FAX: (303) 733-1112 WWW: WWW.VYNCKIER.COM		VYNCKIER ENCLOSURE SYSTEMS INC. 1000 W. 10TH AVENUE SUITE 200 DENVER, COLORADO 80202 PHONE: (303) 733-1111 FAX: (303) 733-1112 WWW: WWW.VYNCKIER.COM	
VJ SERIES ENCLOSURE VYNCKIER PART # VJ1614HW1.2	VYNCKIER PART # VJ1614HW1.2	VYNCKIER PART # VJ1614HW1.2	VYNCKIER PART # VJ1614HW1.2
QTY: 1 UNIT: EACH	QTY: 1 UNIT: EACH	QTY: 1 UNIT: EACH	QTY: 1 UNIT: EACH