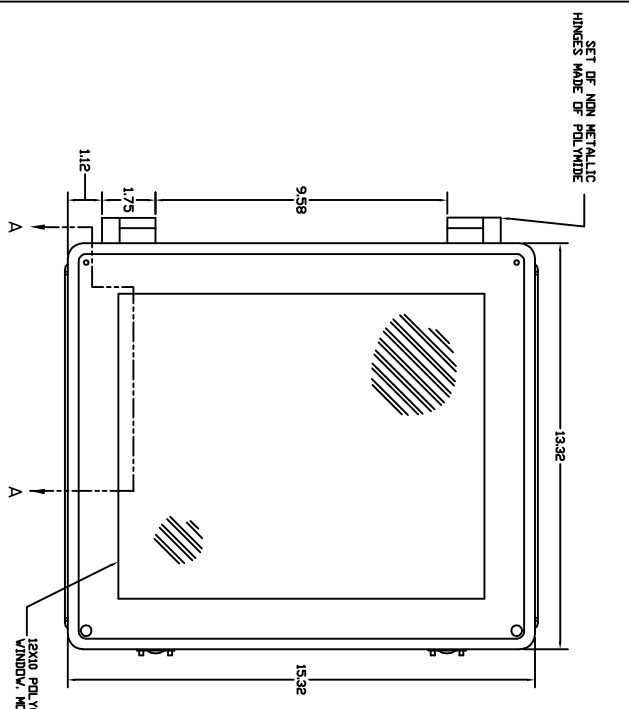
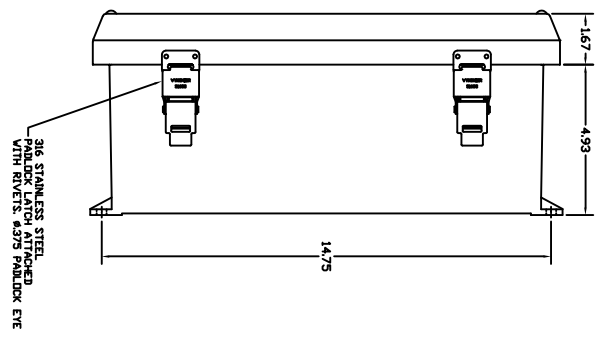


| REVISIONS | | DATE | APPROVED |
|-----------|-----|-------------|----------|
| ZONE | REV | DESCRIPTION | |

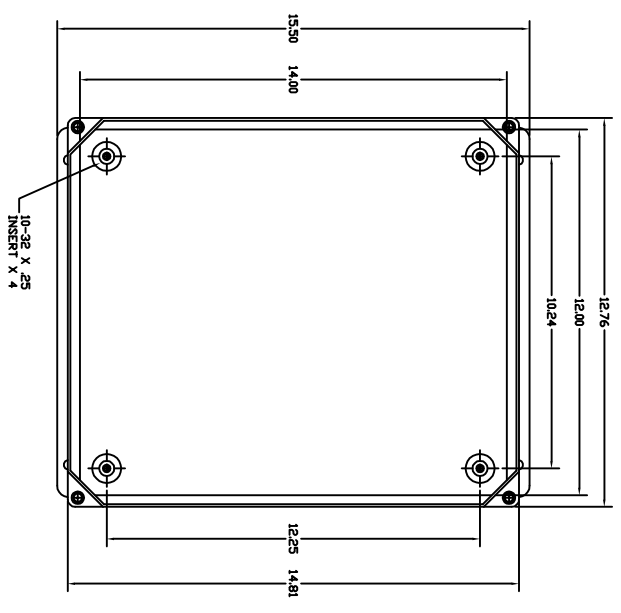
FRONT VIEW



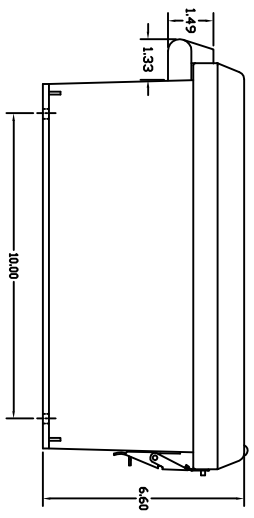
RIGHT SIDE VIEW



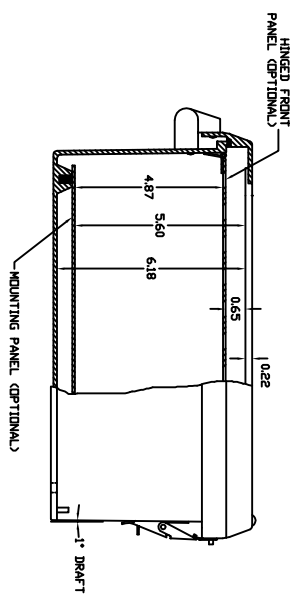
FRONT VIEW—COVER REMOVED



END VIEW



SECTION A-A



- NOTES:
- ENCLOSURE MATERIAL MADE OF GRAY (RAL 7036) HOT MOLDED FIBERGLASS REINFORCED POLYESTER.
 - U.L. LISTED PER STD. 508. (FILE# E54315)
 - CSA CERTIFIED PER STD. C222 ND. 94. (FILE# LR36508)
 - NEMA RATED TYPE 3, 3R, 3S, 4, 4X, 12 AND 13.
 - IEC 529 RATED IP 68.
 - RESISTANT TO TEMPERATURES UP TO 150 DEG C.
 - SELF EXTINGUISHING AND HALOGEN FREE.
 - ACCESSORIES INCLUDING: BACK PANELS, HINGEABLE FRONT PLATES, HINGED COVERS, PRINT POCKET, LATCHES, WINDOWS, AND VENTILATORS.
 - CABINETS ARE MAINTENANCE FREE AND CORROSION RESISTANT.

VNCKIER
ENCLOSURE SYSTEMS LTD.

VI SERIES ENCLOSURE
VNCKIER PART# VBI1412NHWP12

DESIGNED BY: [Name] DATE: 2/29/01
CHECKED BY: [Name] DATE: [Date]
SCALE: FULL SHEET 1 OF 1