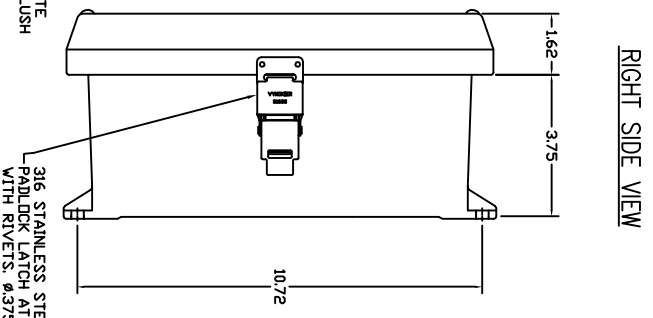
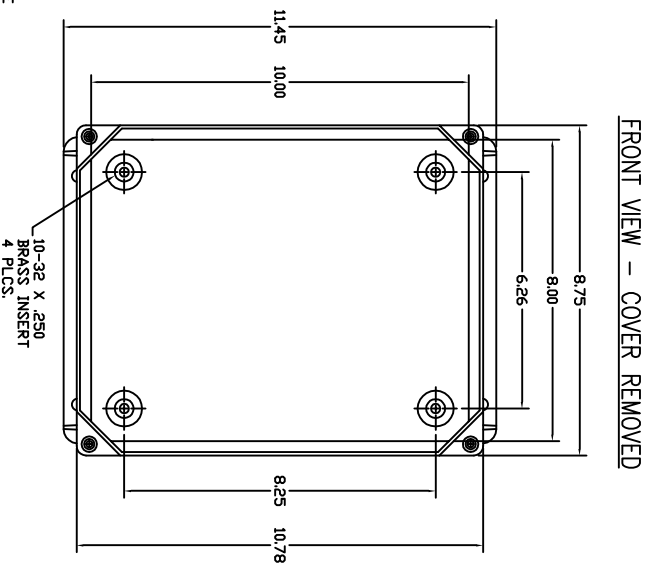


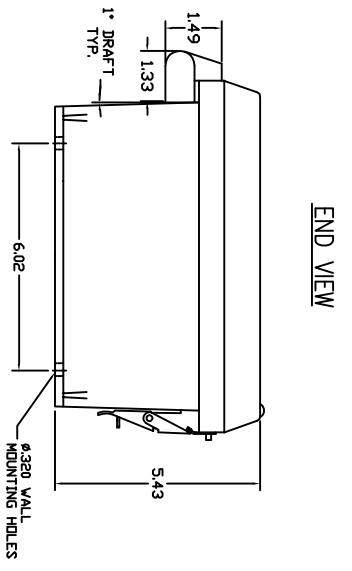
FRONT VIEW



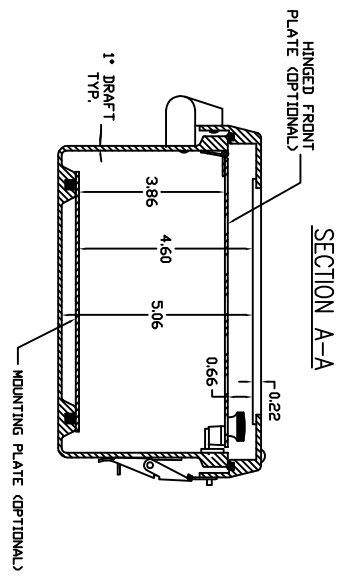
RIGHT SIDE VIEW



FRONT VIEW - COVER REMOVED



END VIEW



SECTION A-A

- NOTES:
1. ENCLOSURE MATERIAL MADE OF GRAY (RAL 7036) HOT MOLDED FIBERGLASS REINFORCED POLYESTER.
 2. U.L. LISTED PER STD. 508 (FILE# E54315)
 3. CSA CERTIFIED PER STD. C22.2 NO. 94 (FILE# LR36508)
 4. NEMA RATED TYPE 3, 3R, 3S, 4, 4X, 12 AND 13.
 5. IEC 529 RATED IP 68.
 6. RESISTANT TO TEMPERATURES UP TO 150 DEG C.
 7. SELF EXTINGUISHING AND HALOGEN FREE.
 8. ACCESSORIES INCLUDE: BACK PANELS, HINGEABLE FRONT PLATES, HINGED COVERS, PRINT POCKET, LATCHES, WINDOWS, AND VENTILATORS.
 9. CABINETS ARE MAINTENANCE FREE AND CORROSION RESISTANT.

| | | | |
|---|--|---|-----------------------------------|
| UNLESS OTHERWISE SPECIFIED DIMENSIONS ARE IN INCHES DECIMAL DIMENSIONS TO 3 DECIMALS DIMENSIONS IN PARENTHESES ARE IN MILLIMETERS | | WYNCKLER ENCLOSURE SYSTEMS, INC. | |
| DRAWN BY: J. J. JONES CHECKED BY: J. J. JONES DATE: 12/12/01 | DESIGNED BY: J. J. JONES DATE: 12/12/01 | V1 SERIES ENCLOSURE WYNCKLER PART # V1B11008HHWPL1 | DWG NO.: V1B11008HHWPL1 REV: 0 |
| SHEET: 1111 TOTAL: 1111 | SHEET: 1111 TOTAL: 1111 | SHEET: 1111 TOTAL: 1111 | SHEET: 1111 TOTAL: 1111 |