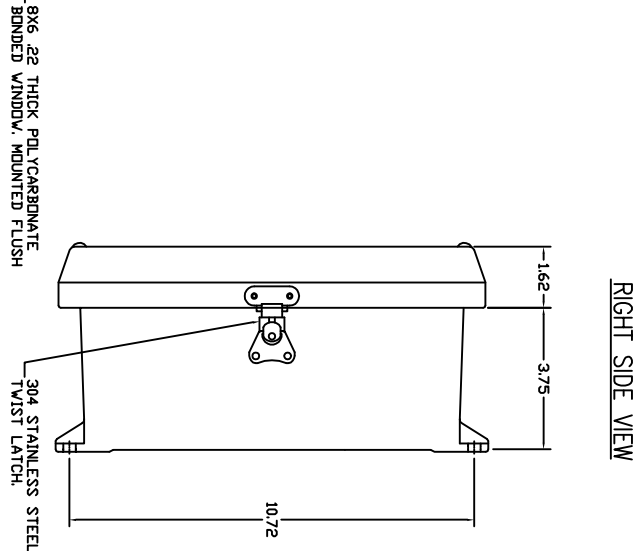
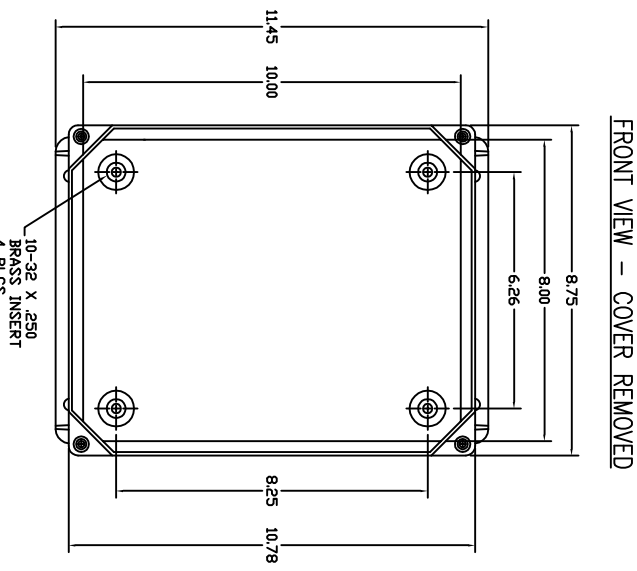


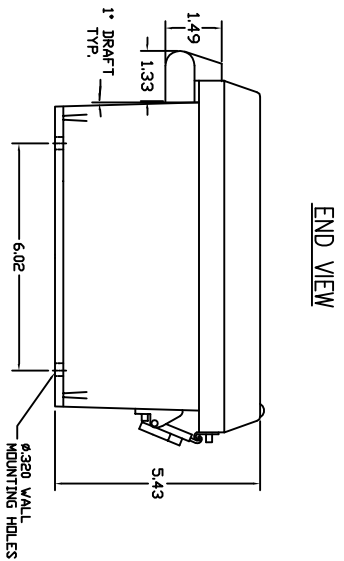
FRONT VIEW



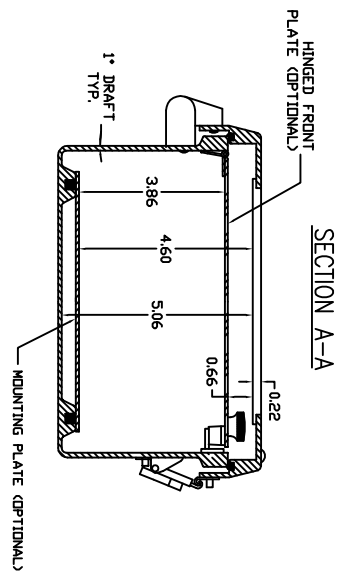
RIGHT SIDE VIEW



FRONT VIEW - COVER REMOVED



END VIEW



SECTION A-A

- NOTES:
- ENCLOSURE MATERIAL MADE OF GRAY (RAL 7036) HOT MOLDED FIBERGLASS REINFORCED POLYESTER.
 - U.L. LISTED PER STD 508 (FILE# E54315)
 - CSA CERTIFIED PER STD. C22.2 NO. 94 (FILE# LR36508)
 - NEMA RATED TYPE 3, 3R, 3S, 4, 4X, 12 AND 13.
 - IEC 529 RATED IP 68.
 - RESISTANT TO TEMPERATURES UP TO 150 DEG C.
 - SELF EXTINGUISHING AND HALOGEN FREE.
 - ACCESSORIES INCLUDE BACK PANELS, HINGEABLE FRONT PLATES, HINGED COVERS, PRINT POCKET, LATCHES, HINGED WINDOWS, AND VENTILATORS.
 - CABINETS ARE MAINTENANCE FREE AND CORROSION RESISTANT.

UNLESS OTHERWISE SPECIFIED DIMENSIONS ARE IN INCHES DIMENSIONS IN PARENTHESES ARE IN MILLIMETERS FINISH: 30 YEAR PAINT DRAWN: JRM CHECKED: JRM DATE: 2/21/01 SCALE: FULL	
VJ SERIES ENCLOSURE VINCICKER PART # VJB1008HWLL1	VINCICKER PART # VJB1008HWLL1 SHEET 0