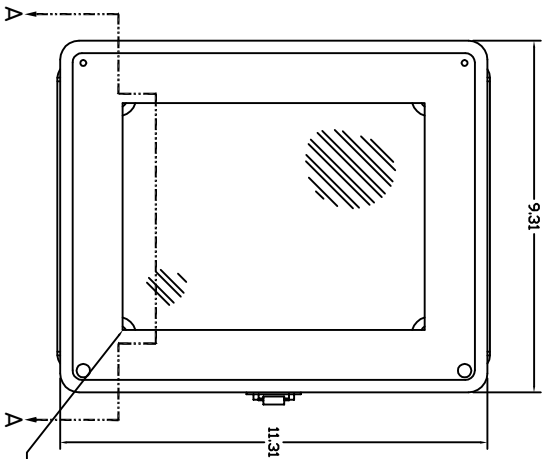
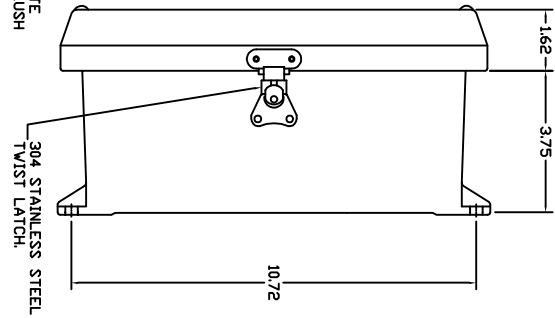


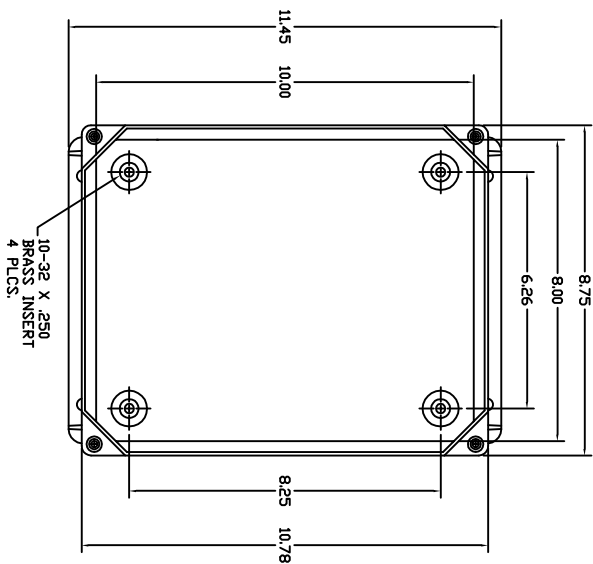
FRONT VIEW



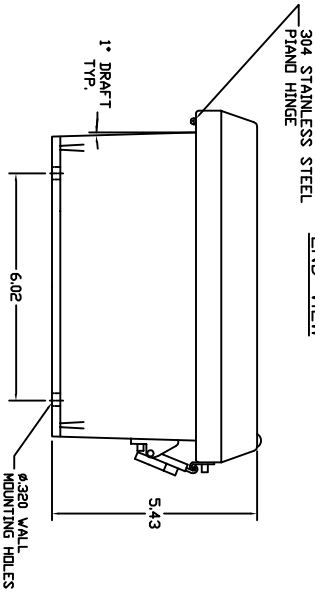
RIGHT SIDE VIEW



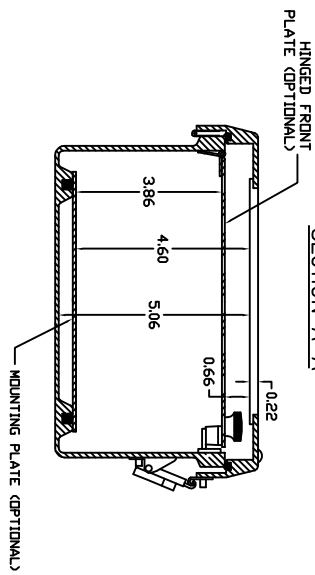
FRONT VIEW - COVER REMOVED



END VIEW



SECTION A-A



- NOTES:
- ENCLOSURE MATERIAL MADE OF GRAY (RAL 7036) HOT MOLDED FIBERGLASS REINFORCED POLYESTER.
 - UL LISTED PER STD 508 (FILE# E54315)
 - CSA CERTIFIED PER STD. C22.2 NO. 94 (FILE# LR36508)
 - NEMA RATED TYPE 3, 3R, 3S, 4, 4X, 12 AND 13.
 - IEC 529 RATED IP 68.
 - RESISTANT TO TEMPERATURES UP TO 150 DEG C.
 - SELF EXTINGUISHING AND HALOGEN FREE.
 - ACCESSORIES INCLUDE: BACK PANELS, HINGEABLE FRONT PLATES, HINGED COVERS, PRINT POCKET, LATCHES, WINDOWS, AND VENTILATORS.
 - CABINETS ARE MAINTENANCE FREE AND CORROSION RESISTANT.

UNLESS OTHERWISE SPECIFIED DIMENSIONS ARE IN INCHES FRACTIONS SHALL BE IN 16THS DECIMALS SHALL BE TO 0.0004 DIMENSIONS IN PARENTHESES ARE FOR INFORMATION ONLY		VINCICKER SYSTEMS INC. V SERIES ENCLOSURE VINCICKER PART# VB1008HML1	
DRAWN: JEFFREY OWENHILL CHECKED: JEFFREY OWENHILL DATE: 2/21/01	DESIGNED: JEFFREY OWENHILL	SIZE: D SHEET NO.: 1 TOTAL SHEETS: 1	PART NO.: VJ81008HML1 REV: 0