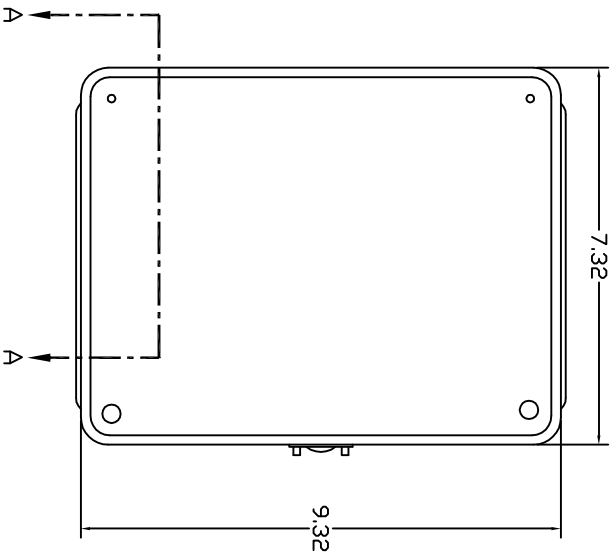
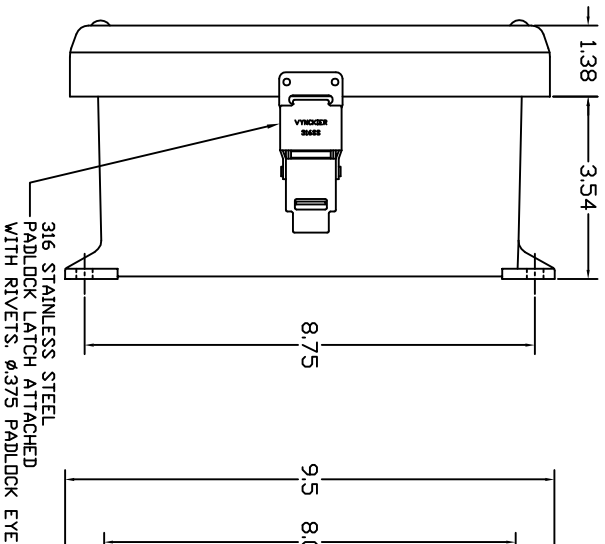


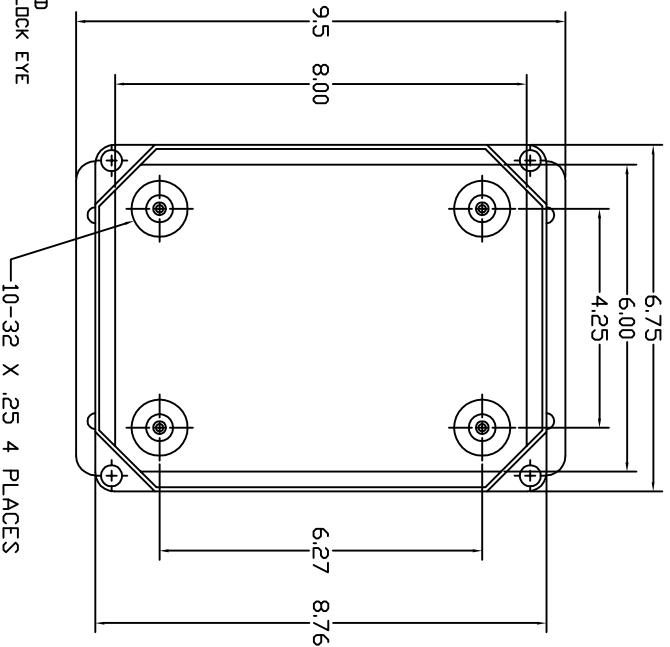
FRONT VIEW



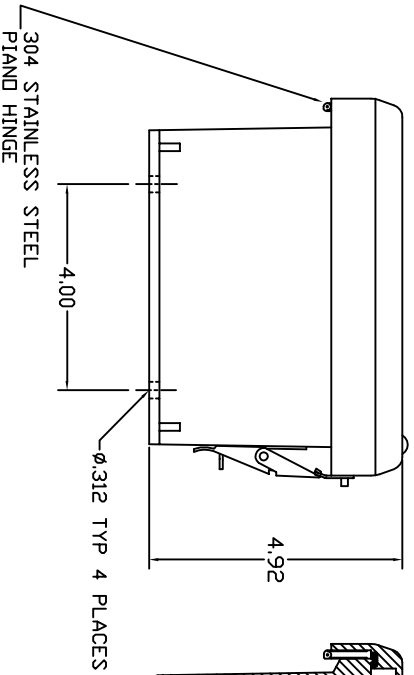
RIGHT SIDE VIEW



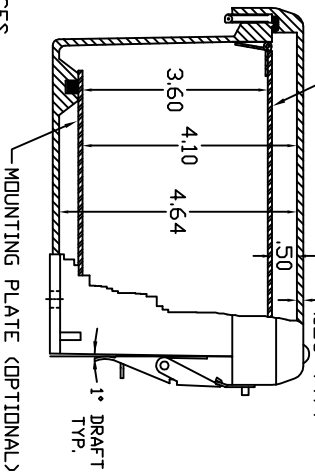
FRONT VIEW COVER REMOVED



END VIEW



SECTION A-A



THIS DRAWING IS THE CONFIDENTIAL AND PROPRIETARY PROPERTY OF VYNCKIER ENCLOSURE SYSTEMS, AND SHALL NOT BE REPRODUCED OR DISCLOSED TO OTHERS EXCEPT BY EXPRESS WRITTEN PERMISSION OF VYNCKIER ENCLOSURE SYSTEMS, INC.

| | |
|--|--------|
| UNLESS OTHERWISE SPECIFIED: DIMENSIONS ARE IN INCHES | |
| DECIMALS: .02 | |
| XXX ± .010 | |
| DO NOT SCALE DRAWING | |
| DRAWN | DATE |
| KEITH CHAPMAN | 2/7/01 |
| CHECKED | |
| DESIGN | |

| | |
|-------------------------------------|------------|
| VYNCKIER ENCLOSURE SYSTEMS, INC. | |
| VJ806H/PL1-VJ SERIES ENCLOSURE | |
| SIZE | DWG NO. |
| B | VJ806H/PL1 |
| SCALE: FULL | SHEET |
| REV | 0 |

- NOTES:
1. ENCLOSURE MATERIAL MADE OF GRAY (RAL 7036) HOT MOLDED FIBERGLASS REINFORCED POLYESTER.
 2. U.L. LISTED PER STD. 508. (FILE# E54315)
 3. CSA CERTIFIED PER STD. C22.2 NO. 94. (FILE# LR36508)
 4. NEMA RATED TYPE 3, 3R, 3S, 4, 4X, 12 AND 13.
 5. IEC 529 RATED IP 68.
 6. TEMPERATURE RANGES FROM -50 DEG C TO 150 DEG C.
 7. SELF EXTINGUISHING AND HALOGEN FREE.
 8. ACCESSORIES INCLUDE: BACK PANELS, DEAD FRONT PANELS, HINGED FRONT PLATES, HINGED COVERS, PRINT POCKETS, LATCHES, WINDOWS, AND VENTILATORS.
 9. CABINETS ARE MAINTENANCE FREE AND CORROSION RESISTANT.