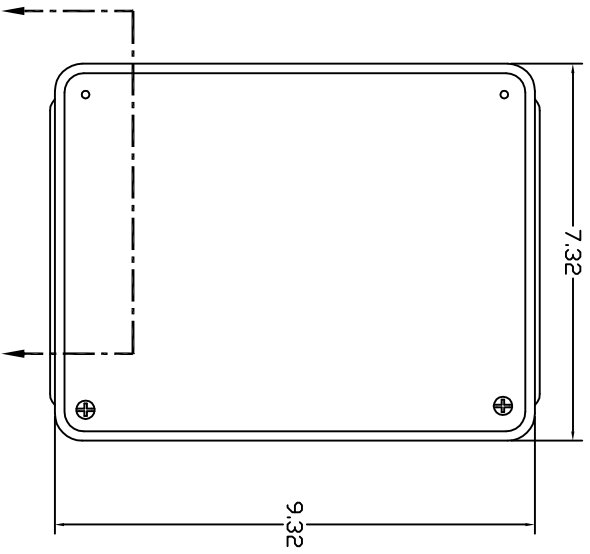
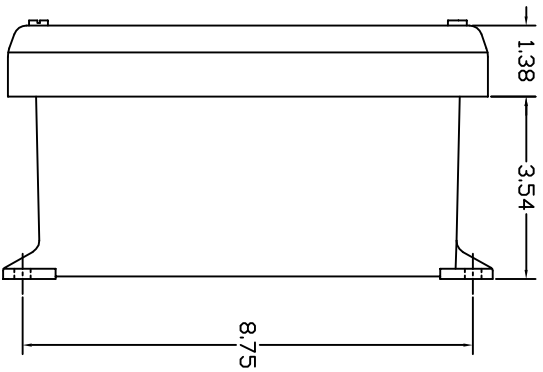


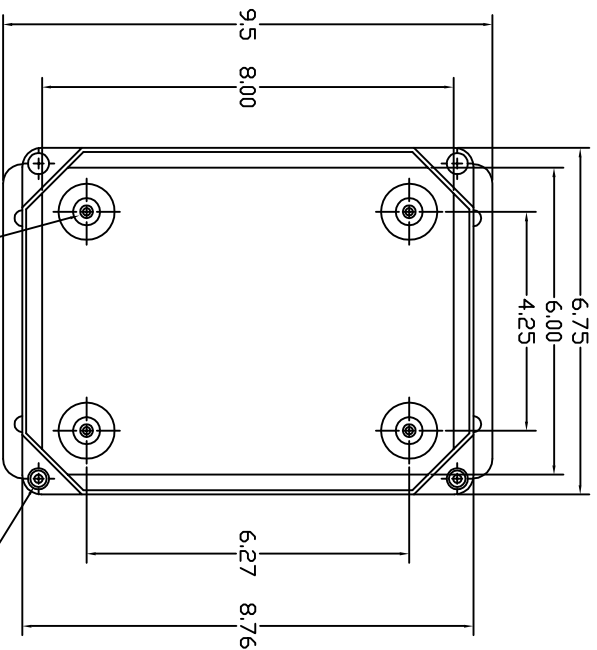
FRONT VIEW



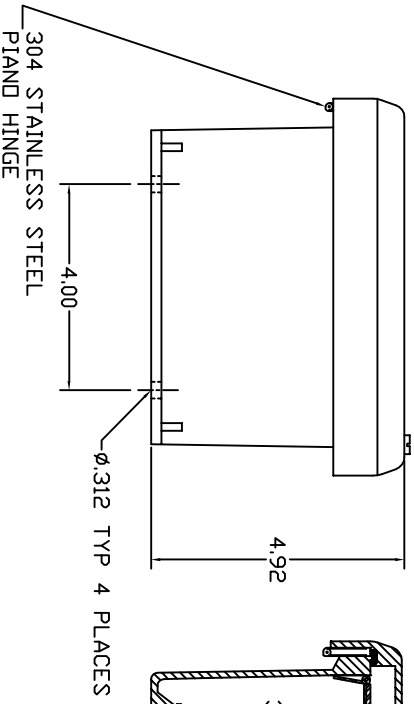
RIGHT SIDE VIEW



FRONT VIEW COVER REMOVED

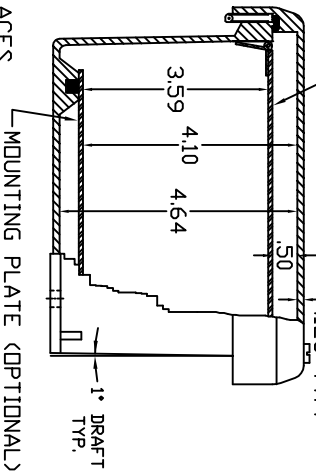


END VIEW



HINGED FRONT PANEL (OPTIONAL)

SECTION A-A



THIS DRAWING IS THE CONFIDENTIAL AND PROPRIETARY PROPERTY OF VYNCKIER ENCLOSURE SYSTEMS, AND SHALL NOT BE REPRODUCED OR DISCLOSED TO OTHERS EXCEPT BY EXPRESS WRITTEN PERMISSION OF VYNCKIER ENCLOSURE SYSTEMS, INC.

- NOTES:
1. ENCLOSURE MATERIAL MADE OF GRAY (RAL 7036) HOT MOLDED FIBERGLASS REINFORCED POLYESTER.
 2. U.L. LISTED PER STD. 508. (FILE# E54315)
 3. CSA CERTIFIED PER STD. C22.2 NO. 94. (FILE# LR36508)
 4. NEMA RATED TYPE 3, 3R, 3S, 4, 4X, 12 AND 13.
 5. IEC 529 RATED IP 68.
 6. TEMPERATURE RANGES FROM -50 DEG C TO 150 DEG C.
 7. SELF EXTINGUISHING AND HALOGEN FREE.
 8. ACCESSORIES INCLUDE: BACK PANELS, DEAD FRONT PANELS, HINGED FRONT PLATES, HINGED COVERS, PRINT POCKETS, LATCHES, WINDOWS, AND VENTILATORS.
 9. CABINETS ARE MAINTENANCE FREE AND CORROSION RESISTANT.

UNLESS OTHERWISE SPECIFIED: DIMENSIONS ARE IN INCHES		VYNCKIER ENCLOSURE SYSTEMS INC.	
DECIMALS .02		VJ806HW-VJ SERIES ENCLOSURE	
XXX ± .010		DWG NO. VJ806HW	
DO NOT SCALE DRAWING		REV 0	
DRAWN	DATE	SCALE	SHEET
KEITH CHAPMAN	2/7/01	FULL	1
CHECKED			
DESIGN			