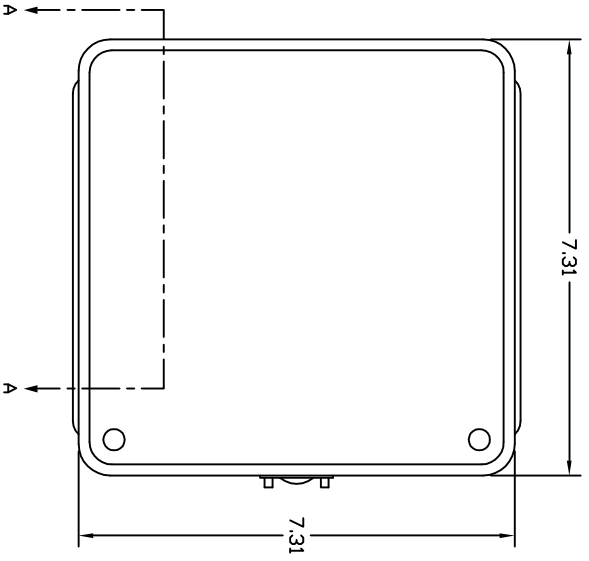
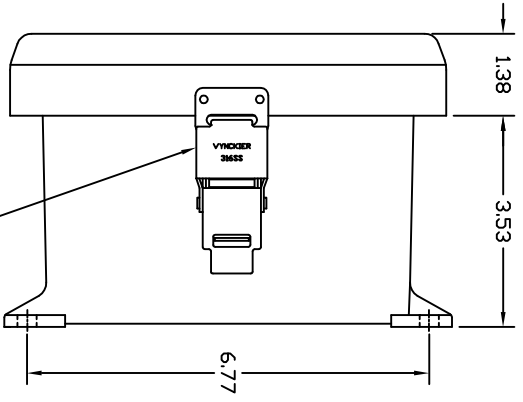


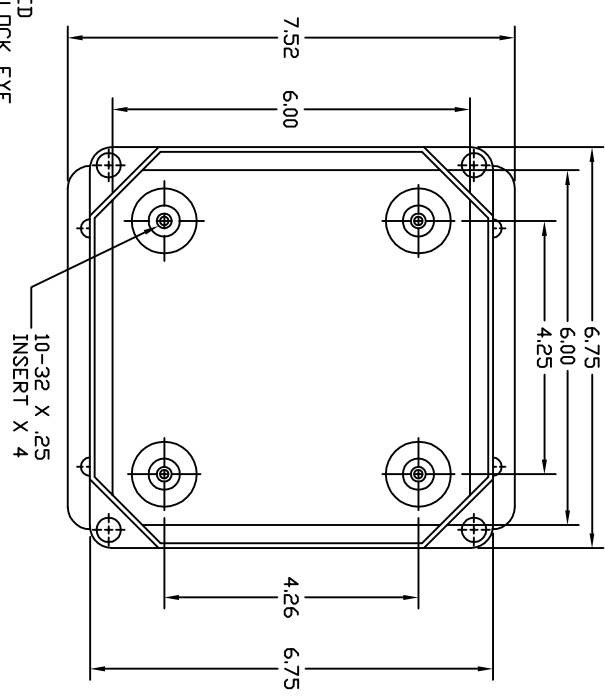
FRONT VIEW



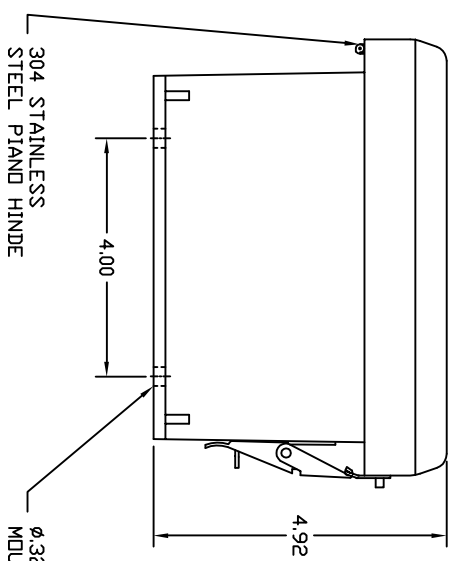
RIGHT SIDE VIEW



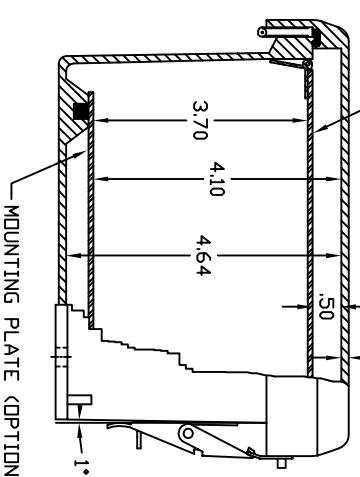
FRONT VIEW COVER REMOVED



END VIEW



HINGED FRONT PANEL (OPTIONAL)



304 STAINLESS STEEL PLANO HINDE

316 STAINLESS STEEL PADLOCK LATCH ATTACHED WITH RIVETS, Ø.375 PADLOCK EYE

10-32 X .25 INSERT X 4

1.25 TYP.

1° DRAFT TYP.

MOUNTING PLATE (OPTIONAL)

Φ32 WALL MOUNTING HOLE X 4

- NOTES:
- ENCLOSURE MATERIAL MADE OF GRAY (RAL 7036) HOT MOLDED FIBERGLASS REINFORCED POLYESTER.
  - UL LISTED PER STD. 508, FILE# ES4315)
  - CSA CERTIFIED PER STD. C22.2 NO. 94, FILE# LR36508)
  - NEMA RATED TYPE 3, 3R, 3S, 4, 4X, 12 AND 13.
  - IEC 529 RATED IP 68.
  - TEMPERATURE RANGES FROM -50 DEG C TO 150 DEG C.
  - SELF EXTINGUISHING AND HALOGEN FREE.
  - ACCESSORIES INCLUDE: BACK PANELS, DEAD FRONT PANELS, HINGED FRONT PLATES, HINGED COVERS, PRINT POCKETS, LATCHES, WINDOWS, AND VENTILATORS.
  - CABINETS ARE MAINTENANCE FREE AND CORROSION RESISTANT.

UNLESS OTHERWISE SPECIFIED DIMENSIONS ARE IN INCHES  
TOLERANCES  
DIMENSIONS  
XXX ± .02  
XXX ± .010  
DO NOT SCALE DRAWING

THE DRAWING IS THE PROPRIETARY AND INTELLECTUAL PROPERTY OF VYNCKIER ENCLOSURE SYSTEMS AND SHALL NOT BE REPRODUCED OR INCORPORATED IN OTHER DRAWINGS OR SPECIFICATIONS OF VYNCKIER ENCLOSURE SYSTEMS INC.

VYNCKIER ENCLOSURE SYSTEMS LTD.		VYNCKIER PART # VJ606HW/PL1	
VJ SERIES ENCLOSURE		DWG NO. VJ606HW/PL1	
DRAWN	KENTH CHAPMAN	DATE	10/25/03
CHECKED		SCALE	FULL
DESIGN		SHEET	