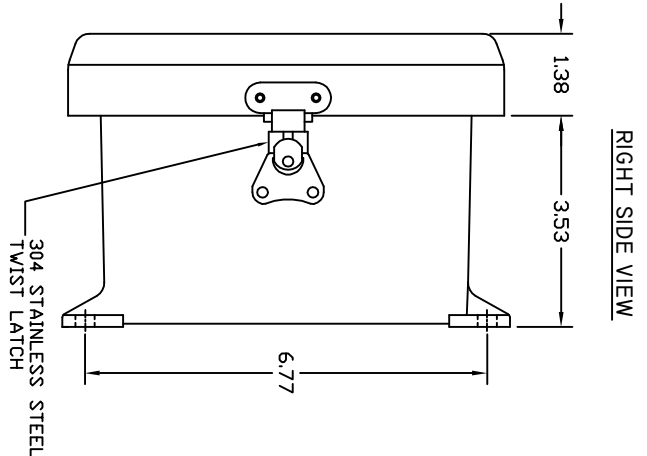
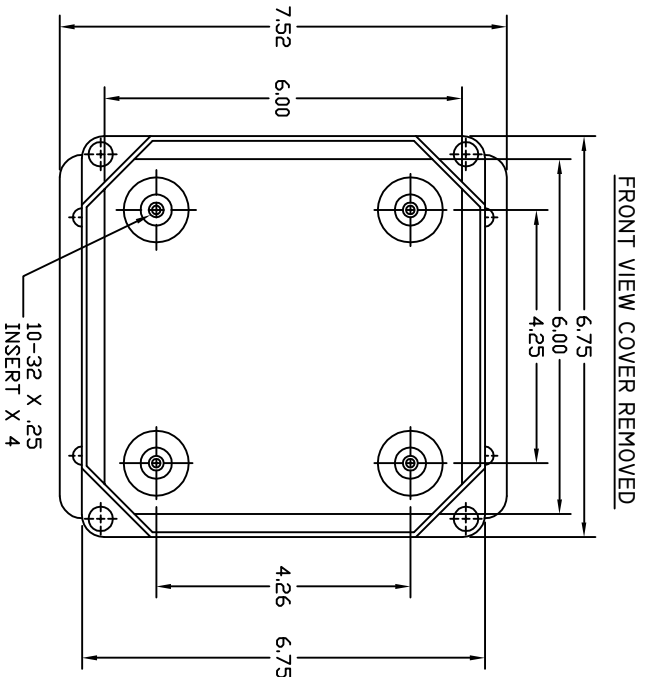


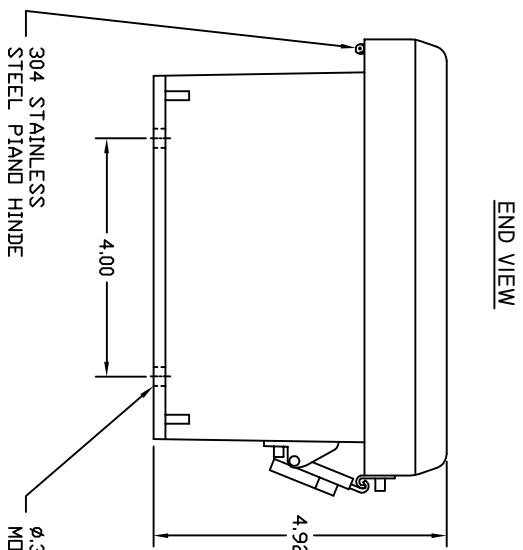
FRONT VIEW



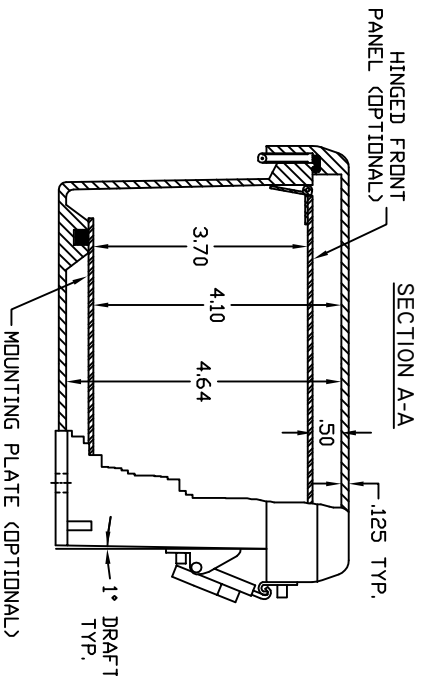
RIGHT SIDE VIEW



FRONT VIEW COVER REMOVED



END VIEW



SECTION A-A

304 STAINLESS STEEL PLAND HINDE

4.00

4.92

HINGED FRONT PANEL (OPTIONAL)

SECTION A-A

304 STAINLESS STEEL TWIST LATCH

10-32 X .25 INSERT X 4

MOUNTING PLATE (OPTIONAL)

1° DRAFT TYP.

THE DRAWING IS THE PROPERTY OF VYNCKIER ENCLOSURE SYSTEMS, INC. AND SHALL NOT BE REPRODUCED OR RESOLD TO OTHERS WITHOUT THE WRITTEN PERMISSION OF VYNCKIER ENCLOSURE SYSTEMS, INC.

UNLESS OTHERWISE SPECIFIED: DIMENSIONS ARE IN INCHES DECIMALS TOLERANCES		VYNCKIER ENCLOSURE SYSTEMS LTD.	
DRAWN	KEITH CHAPMAN	DATE	02/09/01
CHECKED		SCALE	FULL
DESIGN		SIZE	FSM NO.
		DWG NO.	VJ606H111
		REV	
		SHEET	

- NOTES:
1. ENCLOSURE MATERIAL MADE OF GRAY (RAL 7036) HOT MOLDED FIBERGLASS REINFORCED POLYESTER.
 2. UL LISTED PER STD. 508, FILE# E54315)
 3. CSA CERTIFIED PER STD. C22.2 NO. 94, (FILE# LR36508)
 4. NEMA RATED TYPE 3, 3R, 3S, 4, 4X, 12 AND 13.
 5. IEC 529 RATED IP 68.
 6. TEMPERATURE RANGES FROM -50 DEG C TO 150 DEG C.
 7. SELF EXTINGUISHING AND HALOGEN FREE.
 8. ACCESSORIES INCLUDE: BACK PANELS, DEAD FRONT PANELS, HINGED FRONT PLATES, HINGED COVERS, PRINT POCKETS, LATCHES, WINDOWS, AND VENTILATORS.
 9. CABINETS ARE MAINTENANCE FREE AND CORROSION RESISTANT.

VJ SERIES ENCLOSURE
VYNCKIER PART# VJ606H111