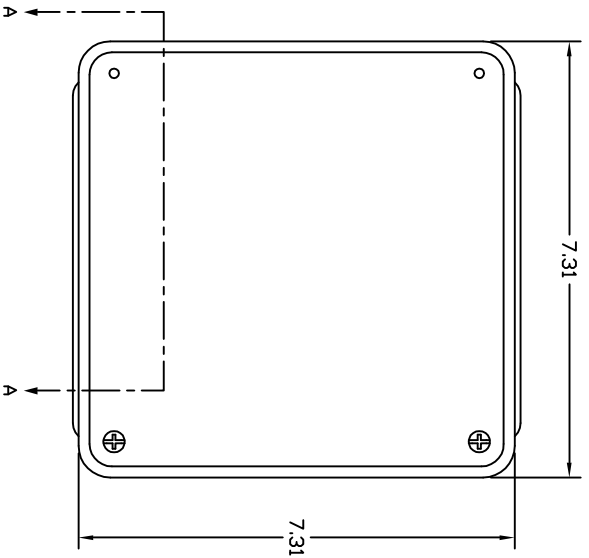
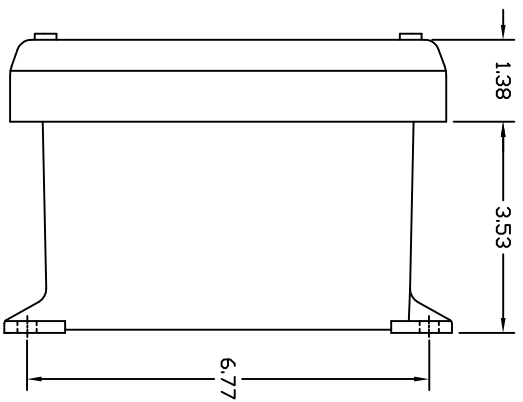


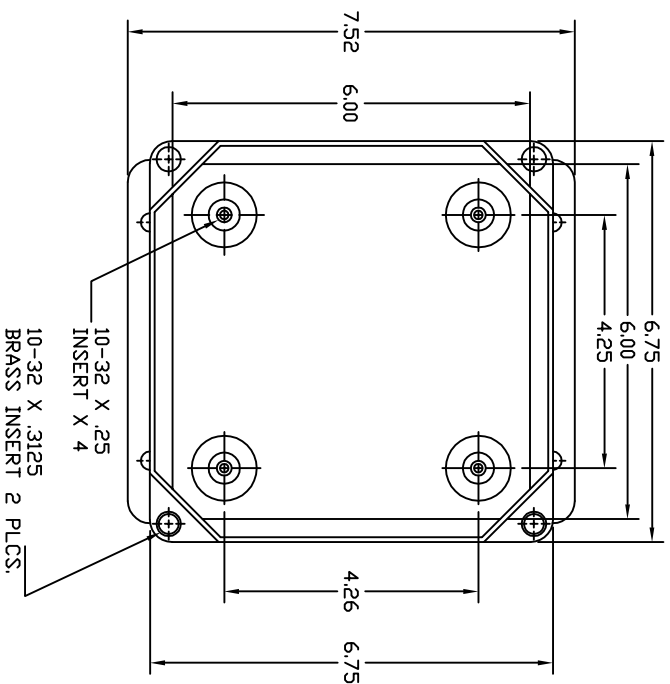
FRONT VIEW



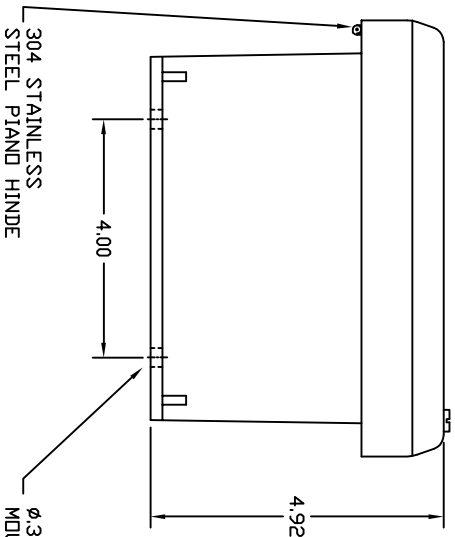
RIGHT SIDE VIEW



FRONT VIEW COVER REMOVED

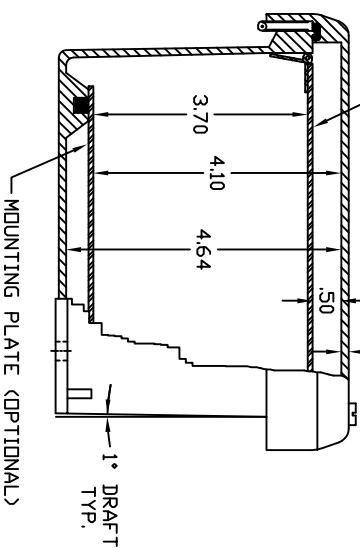


END VIEW



HINGED FRONT PANEL (OPTIONAL)

SECTION A-A



304 STAINLESS STEEL PLAND HINDE

4.00

4.92

3.70

4.10

4.64

50

1.25 TYP.

THE DRAWING IS THE PROPERTY OF VYNCKIER ENCLOSURE SYSTEMS, INC. AND SHALL NOT BE REPRODUCED OR RESOLVED TO OTHERS WITHOUT THE WRITTEN PERMISSION OF VYNCKIER ENCLOSURE SYSTEMS, INC.

UNLESS OTHERWISE SPECIFIED: DIMENSIONS ARE IN INCHES DECIMALS TOLERANCES .000 ± .010 .001 ± .002 .002 ± .002 .003 ± .002 .004 ± .002 .005 ± .002 .006 ± .002 .007 ± .002 .008 ± .002 .009 ± .002 .010 ± .002 .015 ± .002 .020 ± .002 .030 ± .002 .040 ± .002 .050 ± .002 .060 ± .002 .070 ± .002 .080 ± .002 .090 ± .002 .100 ± .002 .125 ± .002 .150 ± .002 .175 ± .002 .200 ± .002 .250 ± .002 .300 ± .002 .375 ± .002 .450 ± .002 .500 ± .002 .625 ± .002 .750 ± .002 .875 ± .002 1.000 ± .002 1.250 ± .002 1.500 ± .002 1.750 ± .002 2.000 ± .002 2.500 ± .002 3.000 ± .002 3.500 ± .002 4.000 ± .002 4.500 ± .002 5.000 ± .002 5.500 ± .002 6.000 ± .002 6.500 ± .002 7.000 ± .002 7.500 ± .002 8.000 ± .002 8.500 ± .002 9.000 ± .002 9.500 ± .002 10.000 ± .002		VYNCKIER ENCLOSURE SYSTEMS LTD.
DRAWN KEITH CHAPMAN	DATE 02/05/03	VJ SERIES ENCLOSURE VYNCKIER PART# VJ606HW
CHECKED KEITH CHAPMAN	SCALE FULL	REV VJ606HW
DESIGN VJ606HW	SHEET	SHEET

- NOTES:
- ENCLOSURE MATERIAL MADE OF GRAY (RAL 7036) HOT MOLDED FIBERGLASS REINFORCED POLYESTER.
  - UL LISTED PER STD. 508, FILE# E54315)
  - CSA CERTIFIED PER STD. C22.2 NO. 94, FILE# LR36508)
  - NEMA RATED TYPE 3, 3R, 3S, 4, 4X, 12 AND 13.
  - IEC 529 RATED IP 68.
  - TEMPERATURE RANGES FROM -50 DEG C TO 150 DEG C.
  - SELF EXTINGUISHING AND HALOGEN FREE.
  - ACCESSORIES INCLUDE: BACK PANELS, DEAD FRONT PANELS, HINGED FRONT PLATES, HINGED COVERS, PRINT POCKETS, LATCHES, WINDOWS, AND VENTILATORS.
  - CABINETS ARE MAINTENANCE FREE AND CORROSION RESISTANT.