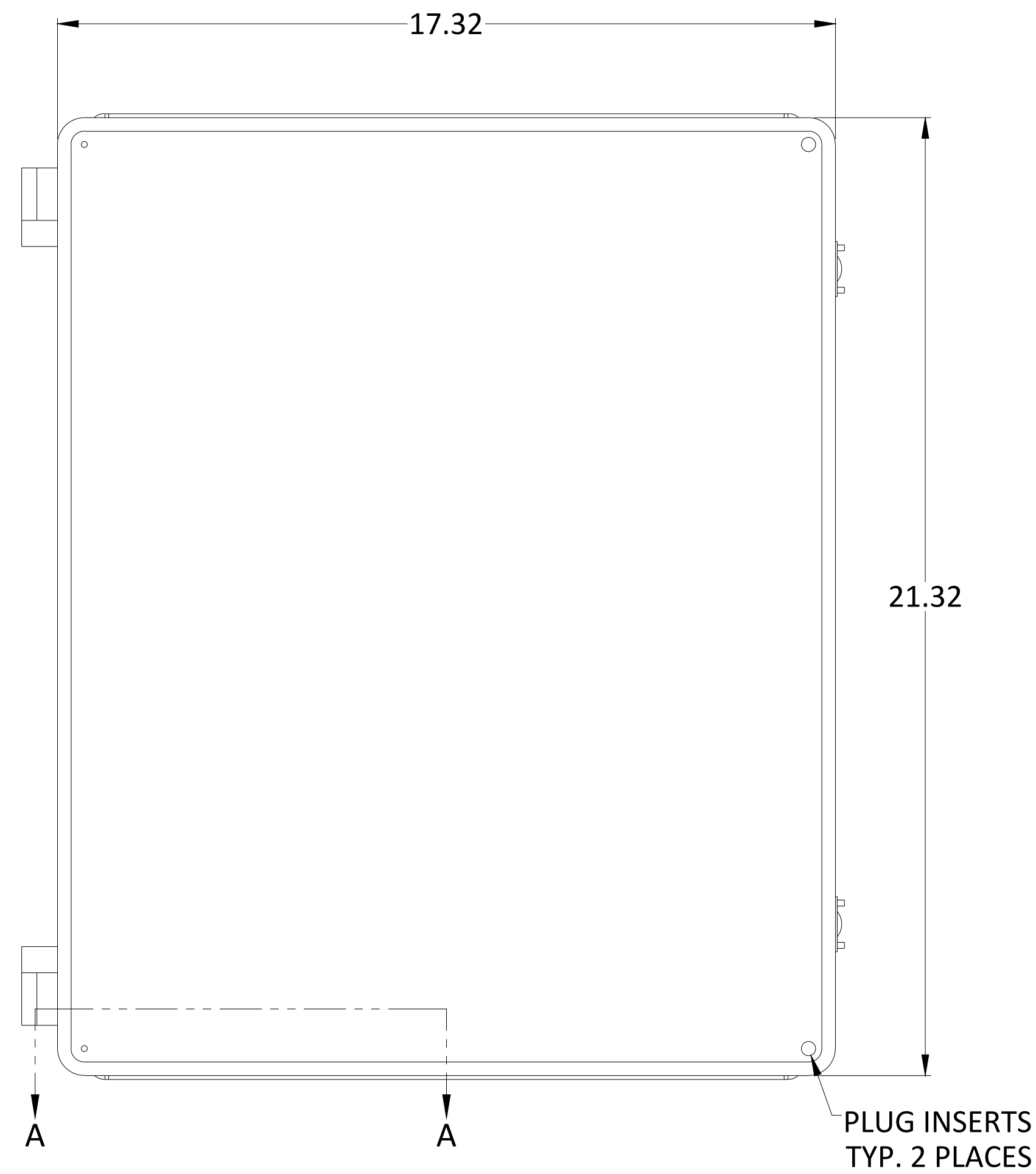
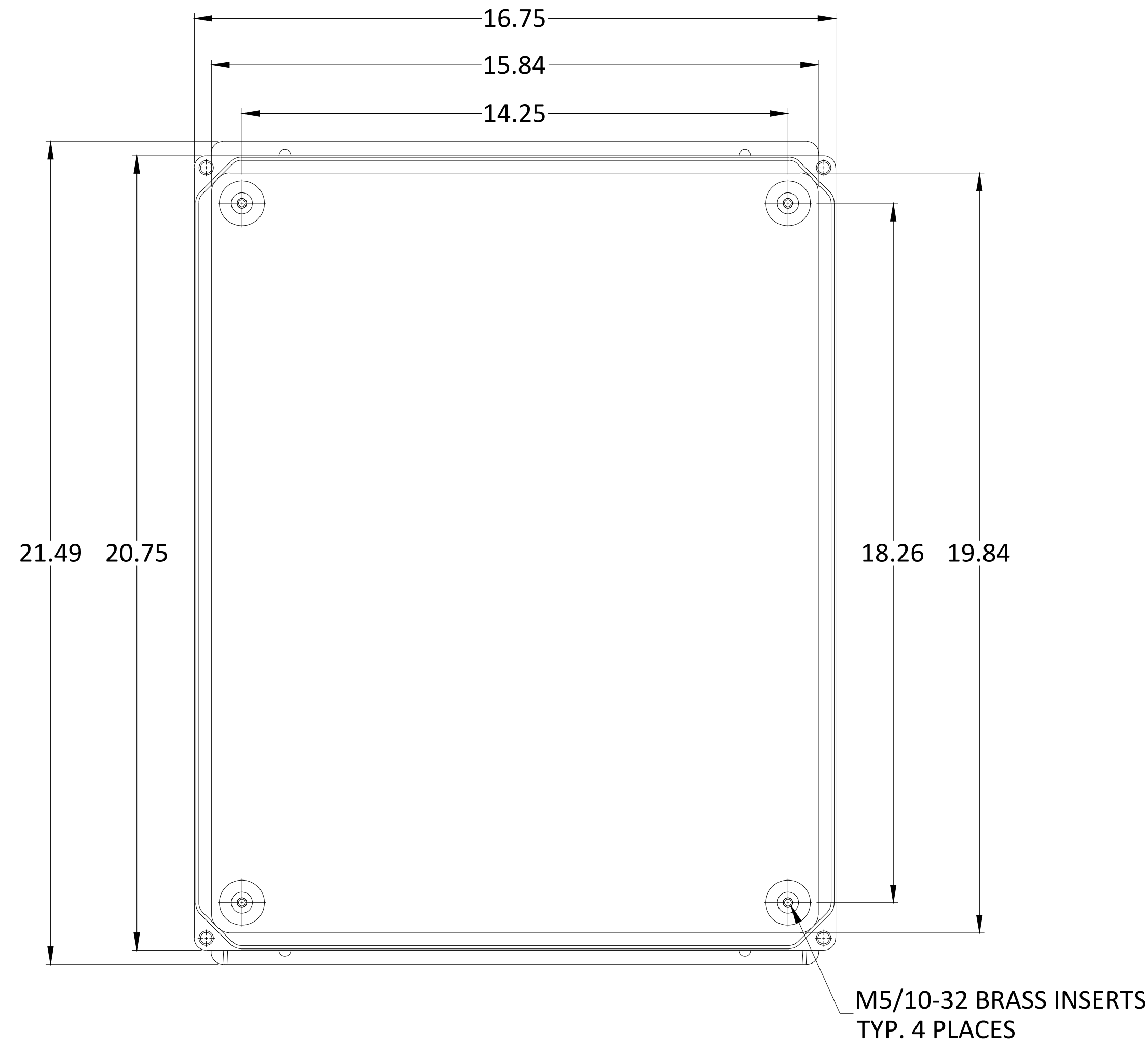


| REVISIONS | | | | |
|-----------|-----|-----------------|-----------|----------|
| ZONE | REV | DESCRIPTION | DATE | APPROVED |
| ALL | - | INITIAL RELEASE | 5/25/2014 | - |

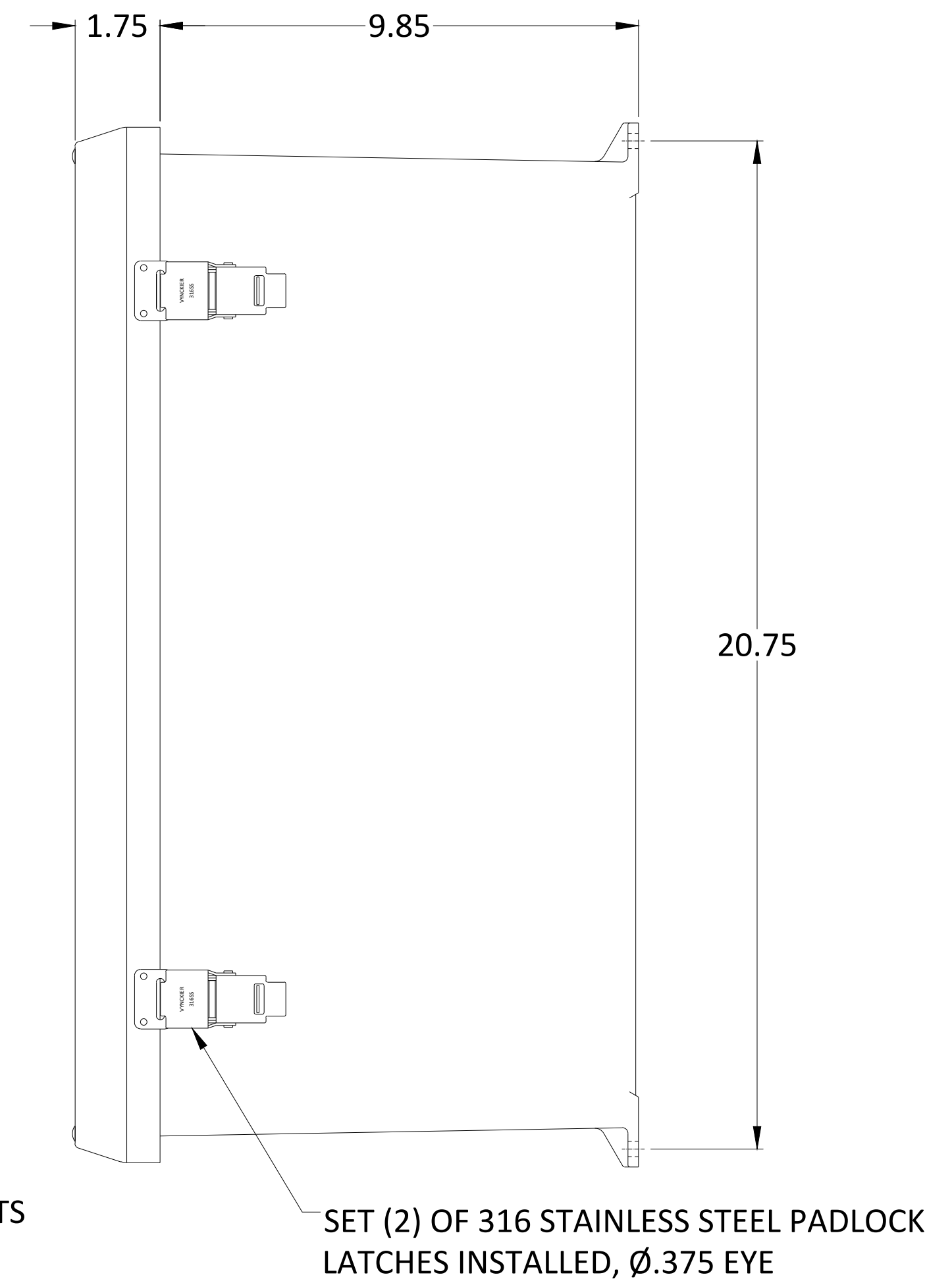
FRONT VIEW



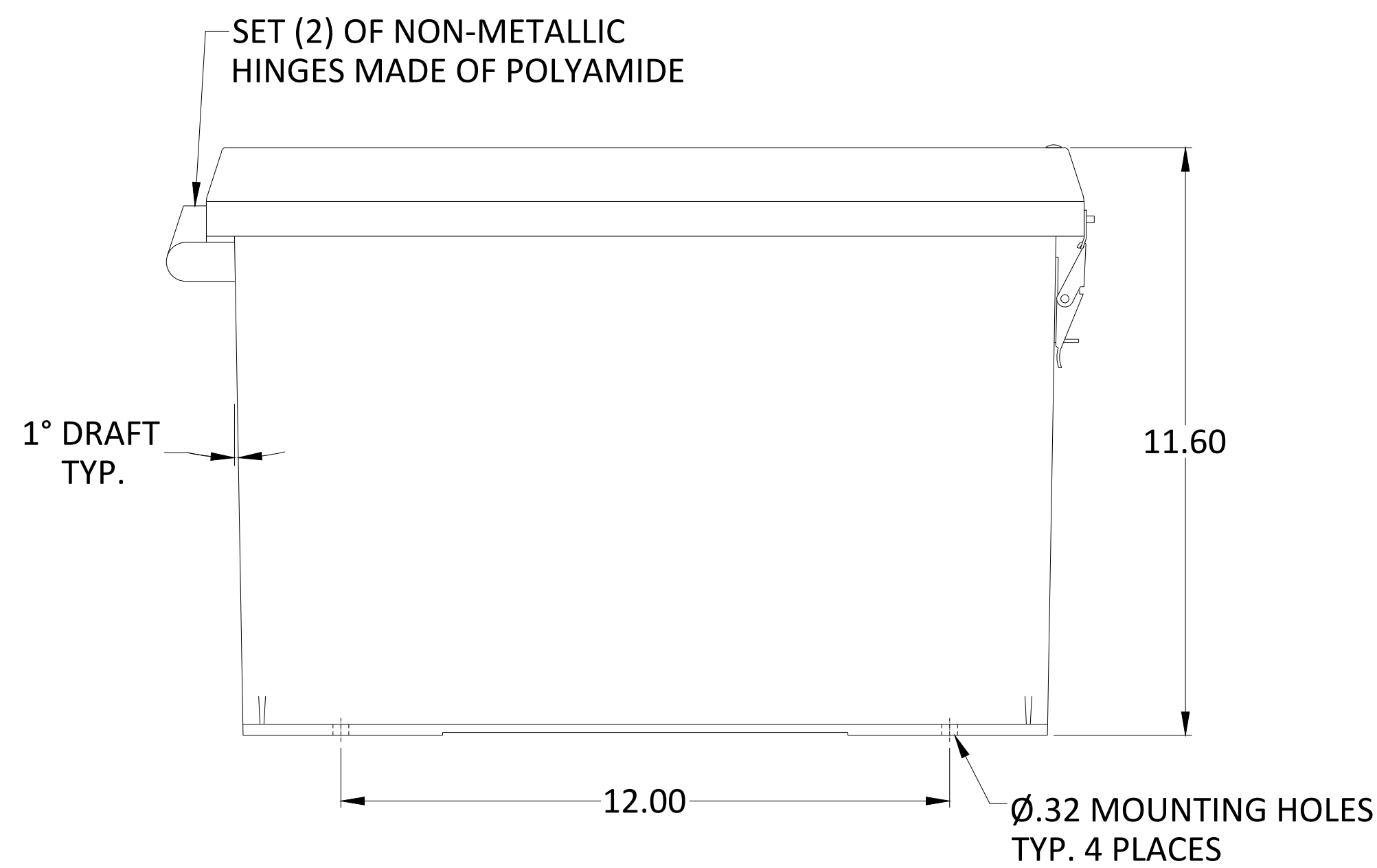
FRONT VIEW - COVER REMOVED



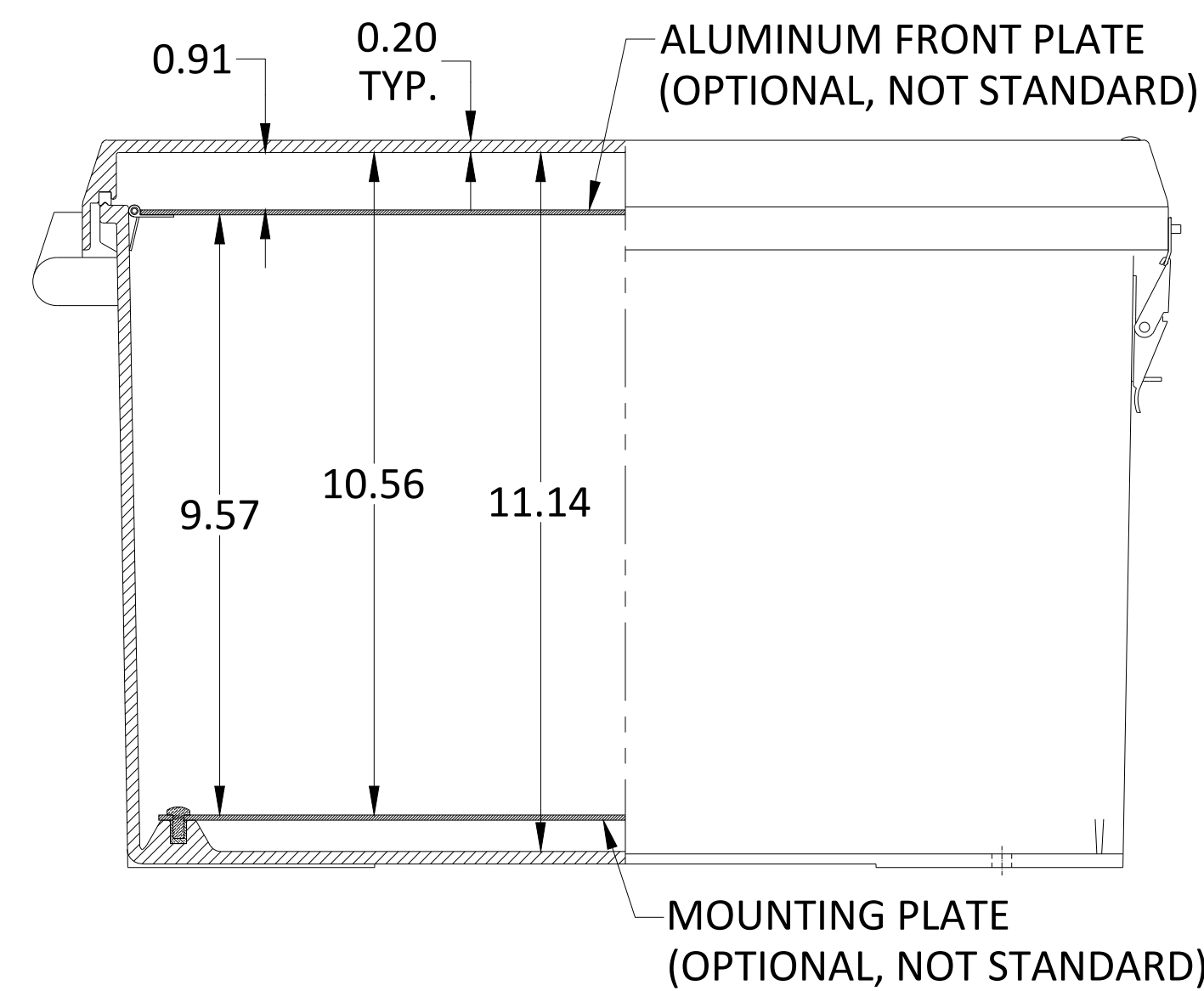
SIDE VIEW



END VIEW



SECTION A-A



GENERAL ENCLOSURE NOTES:

- ENCLOSURE MATERIAL MADE OF GRAY (RAL 7035) HOT MOLDED FIBERGLASS REINFORCED POLYESTER.
- U.L. LISTED PER STD. 508. (FILE# E192121) PRIOR TO MODIFICATIONS.
- CSA CERTIFIED PER STD. C22.2 NO. 94. (FILE# LR36508) PRIOR TO MODIFICATIONS.
- NEMA RATED TYPE 3, 3R, 3S, 4, 4X, 12 AND 13 PRIOR TO MODIFICATIONS.
- IEC 529 RATED IP 66 PRIOR TO MODIFICATIONS.
- TEMPERATURE RANGES FROM -50 DEG C TO 150 DEG C.
- SELF EXTINGUISHING AND HALOGEN FREE.
- CABINETS ARE MAINTENANCE FREE AND CORROSION RESISTANT.

| | | | | | |
|--|-----------------|---|--|---|--|
| DRAWN BY: COLEMAN WEATHERSPOON | DATE 5/25/14 | UNLESS OTHERWISE SPECIFIED: DIMENSIONS ARE IN INCHES | VYNCKIER ENCLOSURE SYSTEMS INC. | | |
| CHECKED BY: | DESIGN BY: | | | TOLERANCES: DECIMALS: .XX ±.020 .XXX ±.010 .XXXX ±.005 | VJ SERIES ENCLOSURE VYNCKIER PART# VJ2016NHWPL2 |
| THIS DRAWING IS THE CONFIDENTIAL AND PROPRIETARY PROPERTY OF VYNCKIER ENCLOSURE SYSTEMS INC., AND SHALL NOT BE REPRODUCED OR DISCLOSED TO OTHERS EXCEPT BY EXPRESS WRITTEN PERMISSION OF VYNCKIER ENCLOSURE SYSTEMS INC. | | SIZE: D | FSCM NO. | DWG. NO. VJ2016NHWPL2 | REV. - |
| SCALE: FULL | | DO NOT SCALE DRAWING | | SHEET: 1 OF 1 | |