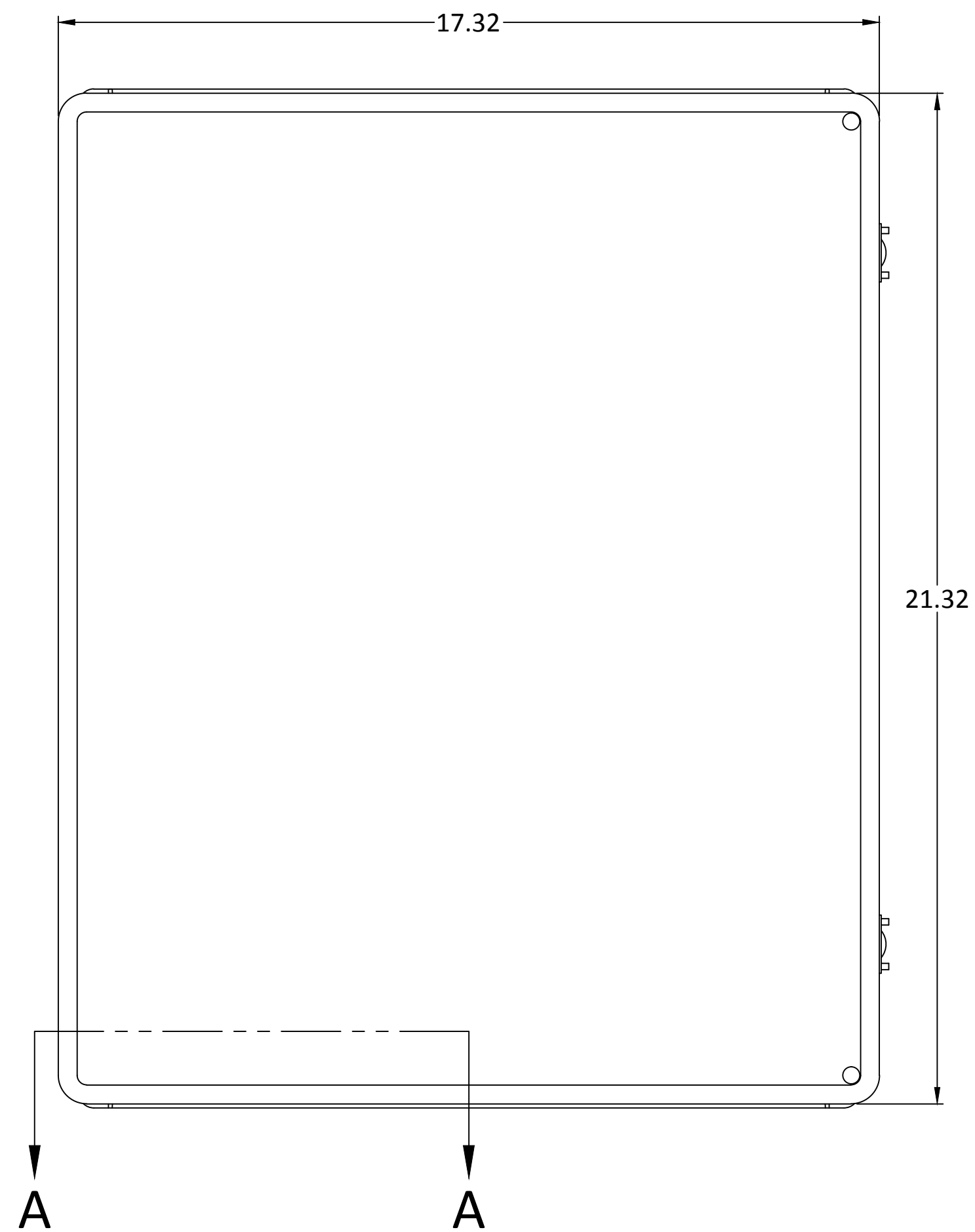
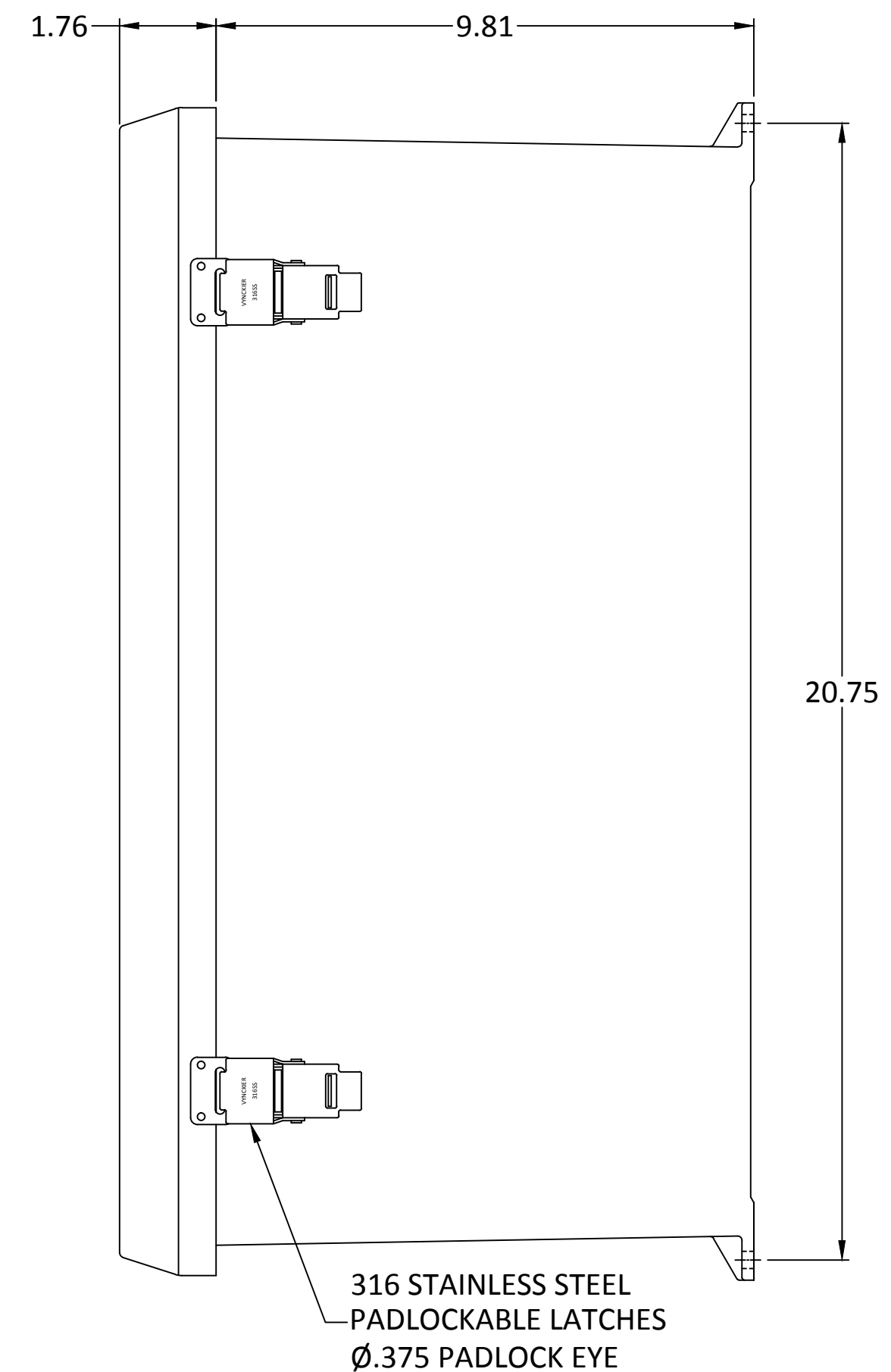


REVISIONS				
ZONE	REV	DESCRIPTION	DATE	APPROVED
ALL	-	INITIAL RELEASE	02/25/2014	-

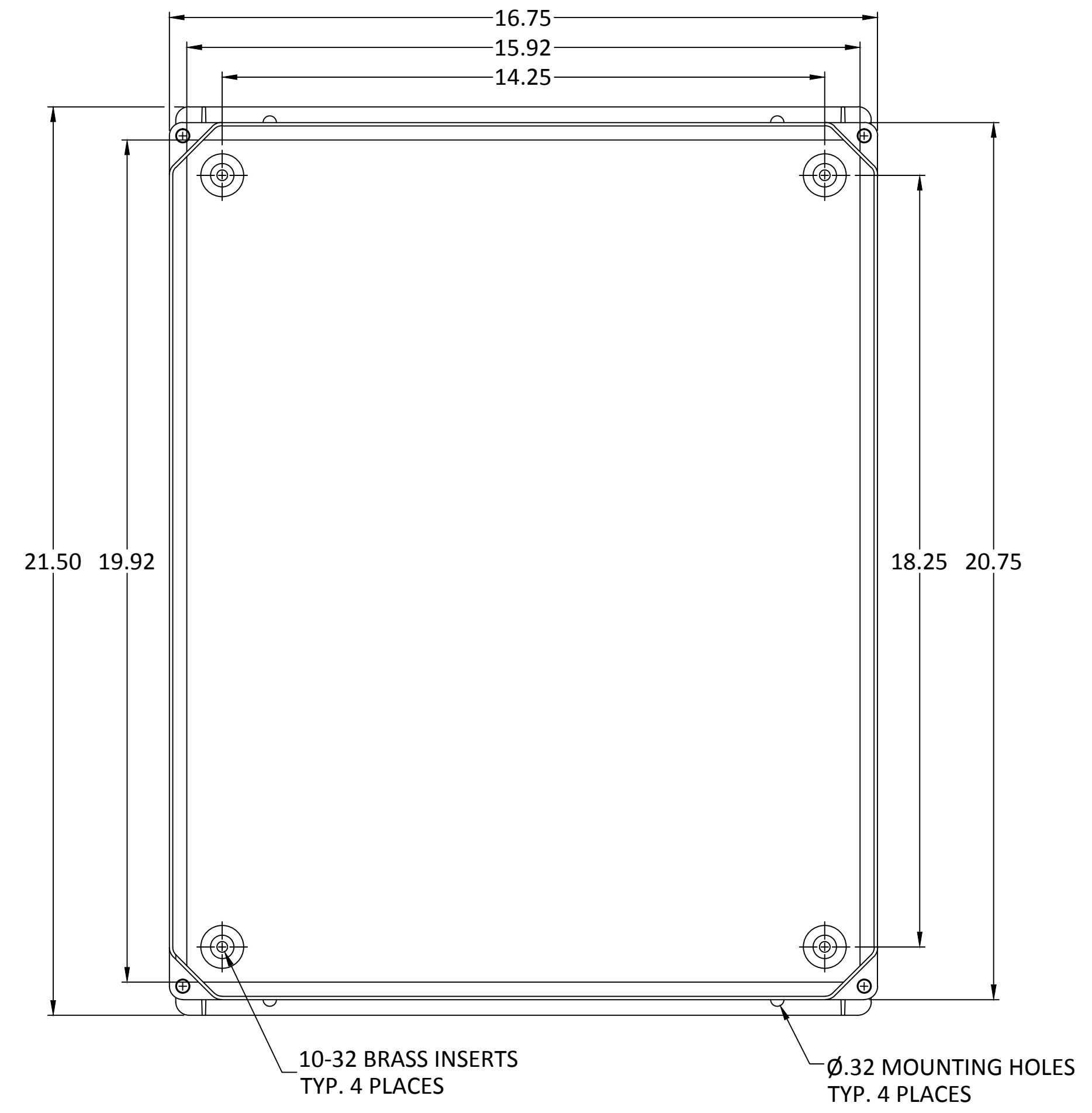
FRONT VIEW



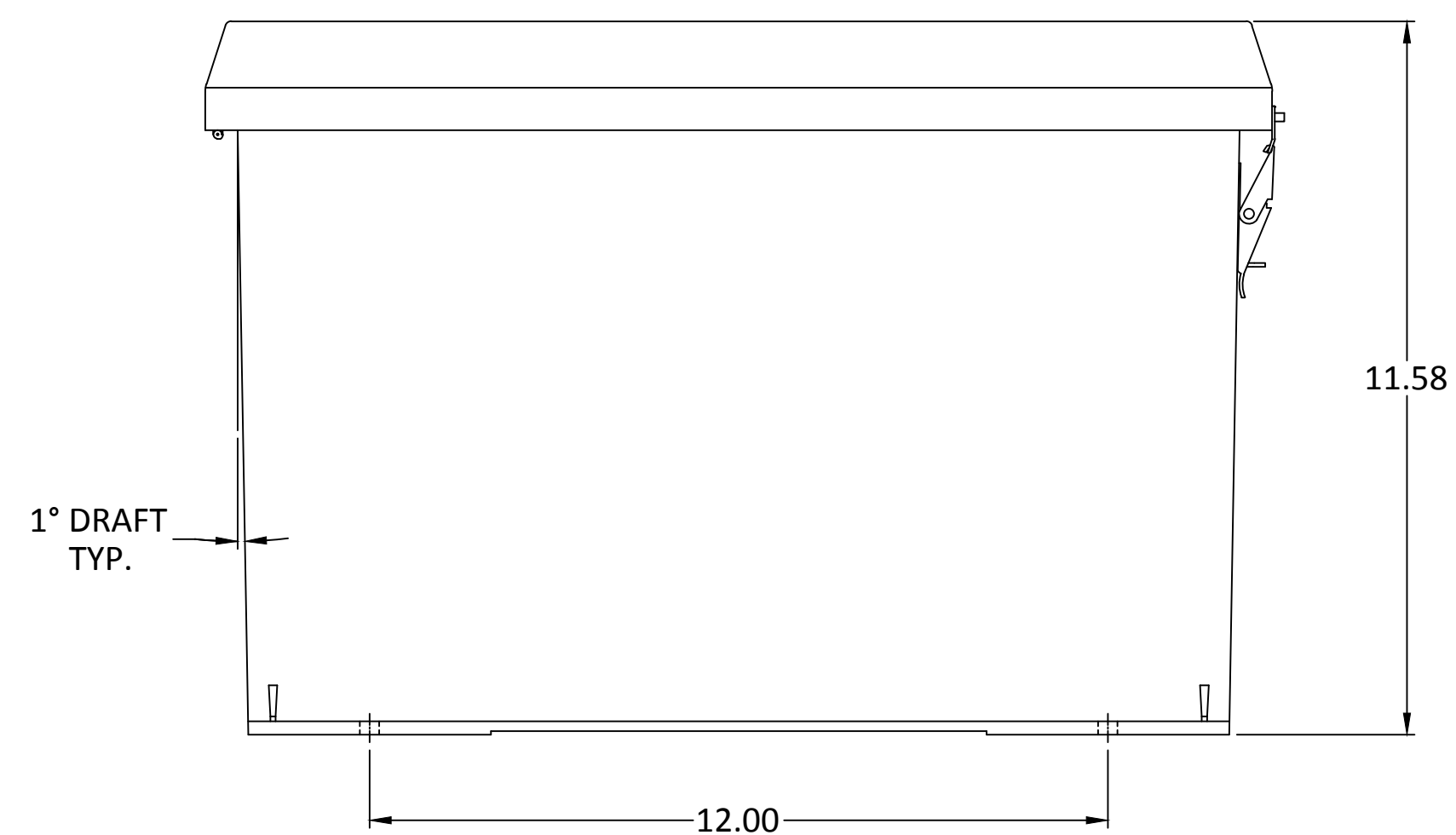
RIGHT SIDE VIEW



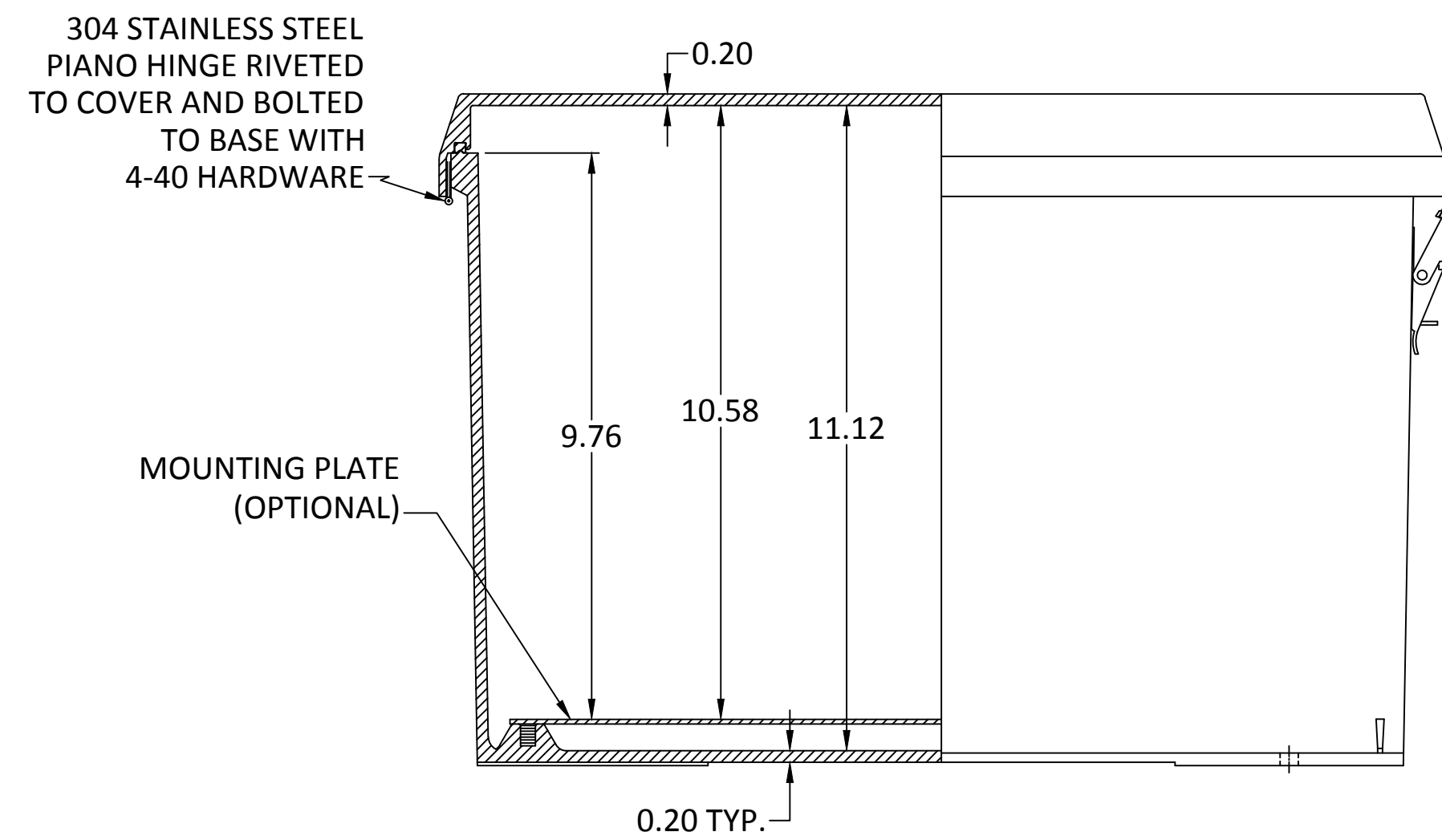
FRONT VIEW - COVER REMOVED



END VIEW



SECTION A-A



- GENERAL ENCLOSURE NOTES:**
- ENCLOSURE MATERIAL MADE OF GRAY (RAL 7035) HOT MOLDED FIBERGLASS REINFORCED POLYESTER.
 - U.L. LISTED PER STD. 508. (FILE# E192121) PRIOR TO MODIFICATIONS.
 - CSA CERTIFIED PER STD. C22.2 NO. 94. (FILE# LR36508) PRIOR TO MODIFICATIONS.
 - NEMA RATED TYPE 3, 3R, 3S, 4, 4X, 12 AND 13 PRIOR TO MODIFICATIONS.
 - IEC 529 RATED IP 66 PRIOR TO MODIFICATIONS.
 - TEMPERATURE RANGES FROM -50 DEG C TO 150 DEG C.
 - SELF EXTINGUISHING AND HALOGEN FREE.
 - CABINETS ARE MAINTENANCE FREE AND CORROSION RESISTANT.

DRAWN BY: COLEMAN WEATHERSPOON	DATE 02/25/14	UNLESS OTHERWISE SPECIFIED: DIMENSIONS ARE IN INCHES	 VYNCKIER ENCLOSURE SYSTEMS INC.
CHECKED BY:	DESIGN BY:	TOLERANCES: DECIMALS: .XX ± .020 .XXX ± .010 .XXXX ± .005	
THIS DRAWING IS THE CONFIDENTIAL AND PROPRIETARY PROPERTY OF VYNCKIER ENCLOSURE SYSTEMS INC., AND SHALL NOT BE REPRODUCED OR DISCLOSED TO OTHERS EXCEPT BY EXPRESS WRITTEN PERMISSION OF VYNCKIER ENCLOSURE SYSTEMS INC.		ANGLES: ± 1°	VJ SERIES ENCLOSURE VYNCKIER PART# VJ2016HWPL2
SIZE: D	FSCM NO.	DWG. NO. VJ2016HWPL2	REV. -
SCALE: FULL	DO NOT SCALE DRAWING	SHEET: 1 OF 1	