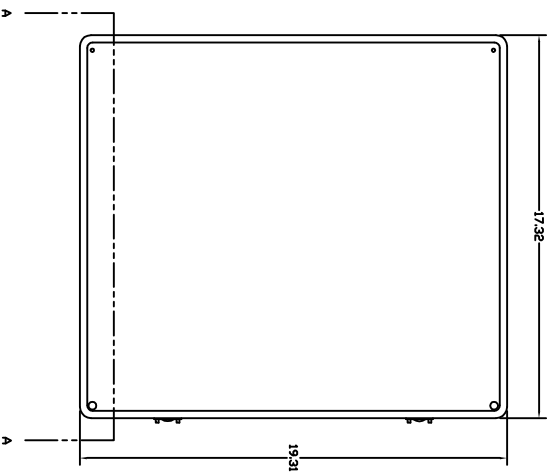
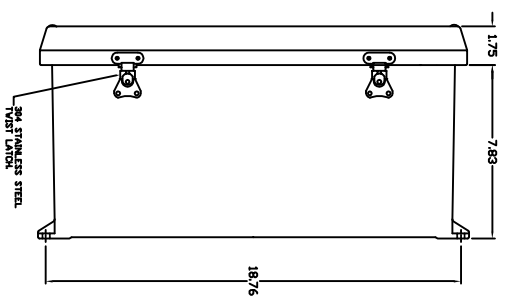


REVISIONS		DATE	APPROVED
ZONE	REV	DESCRIPTION	

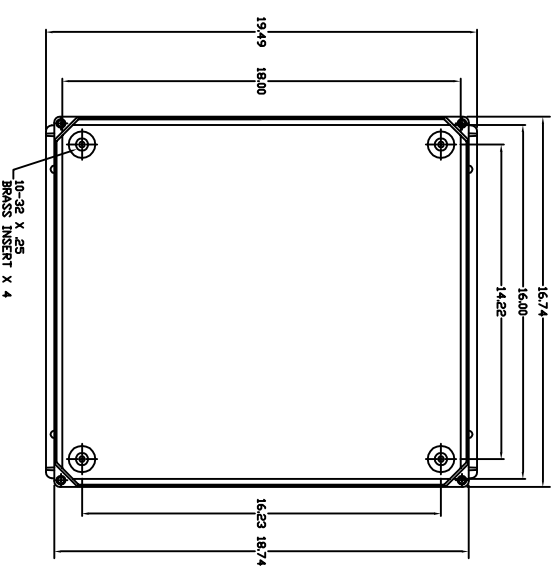
FRONT VIEW



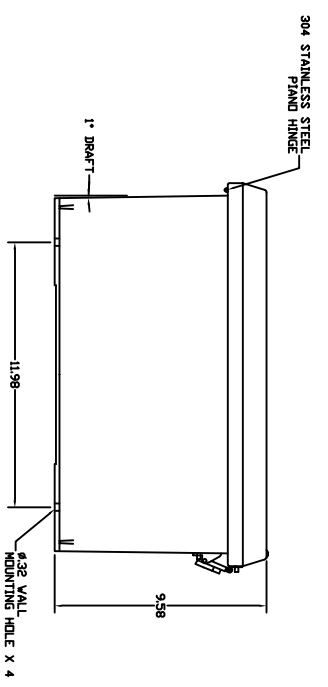
RIGHT SIDE VIEW



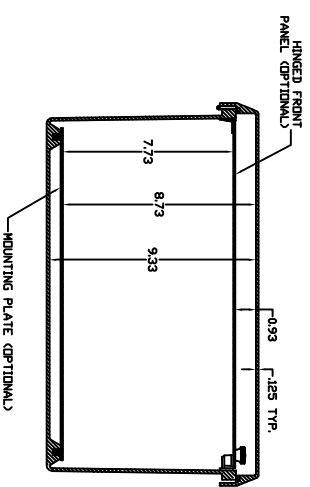
FRONT VIEW-COVER REMOVED



END VIEW



SECTION A-A



- NOTES:
- ENCLOSURE MATERIAL MADE OF GRAY (RAL 7036) HOT MOLDED FIBERGLASS REINFORCED POLYESTER.
 - UL LISTED PER STD. 508. (FILE# E54315)
 - CSA CERTIFIED PER STD. C22.2 NO. 94. (FILE# LR6508)
 - NEHA RATED TYPE 3, 3R, 3S, 4, 4X1E AND I3.
 - TEMPERATURE RANGES FROM -50 DEG. C TO 150 DEG. C.
 - SELF EXTINGUISHING AND HALOGEN FREE.
 - ACCESSORIES INCLUDE: BACK PANELS, DEAD FRONT PANELS, HINGED FRONT PLATES, HINGED COVERS, PRINT POCKETS, LATCHES, WINDOWS, AND VENTILATORS.
 - CABINETS ARE MAINTENANCE FREE AND CORROSION RESISTANT.

UNLESS OTHERWISE SPECIFIED
 DIMENSIONS IN MILLIMETERS
 DECIMAL DIMENSIONS TO 0.050
 DO NOT SCALE DRAWING

DATE: 2/16/01
 DRAWN: KEVIN O'BRIEN
 CHECKED: [Signature]
 DESIGN: [Signature]

VYNCKIER
 ENCLOSURE SYSTEMS INC.

VYNCKIER PART # VJ1816HWLL2

SIZE	FORM NO.	IMP. NO.	REV.
D		VJ1816HWLL2	0
SCALE	TITLE	SHEET	