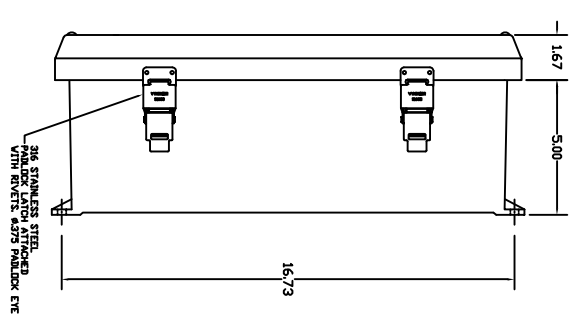
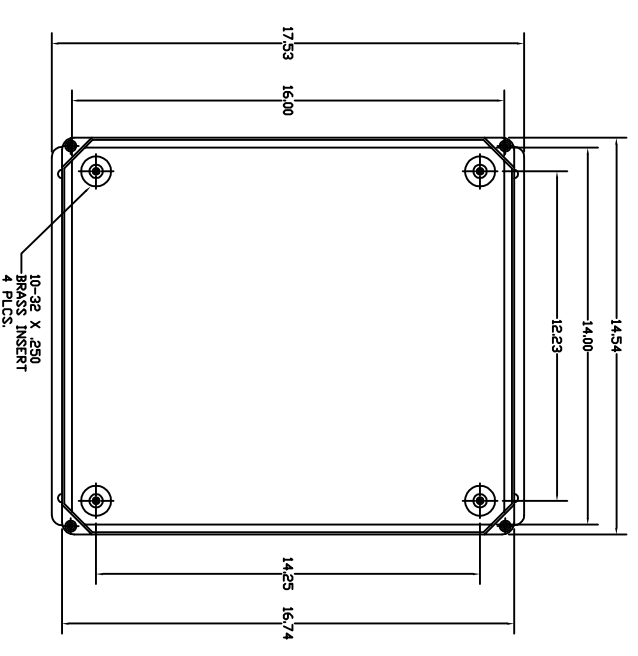


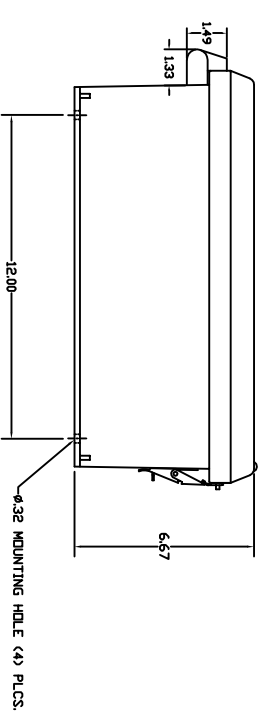
FRONT VIEW



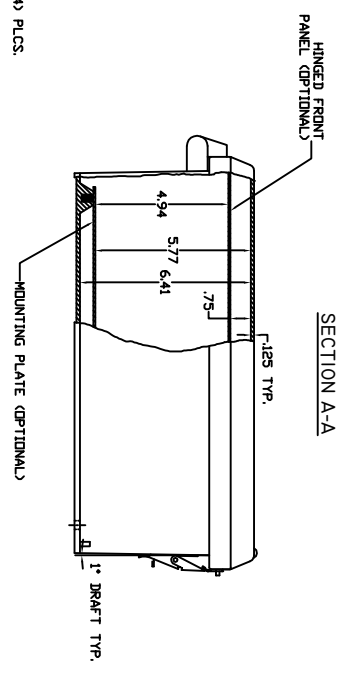
RIGHT SIDE VIEW



FRONT VIEW COVER REMOVED



END VIEW



SECTION A-A

- NOTES:**
1. ENCLOSURE MATERIAL MADE OF GRAY (RAL 7036)
 2. ULL, LISTED FIBERGLASS REINFORCED POLYESTER.
 3. ULL, LISTED PER STD. 508, (FILE# E34319)
 4. ULL, LISTED PER STD. 508, (FILE# L1R6508)
 5. ULL, LISTED PER STD. 508, (FILE# L1R6508)
 6. IECQ 529 RATED 15 DEG.
 7. RESISTANT TO TEMPERATURES UP TO 150 DEG. C.
 8. SELF EXTINGUISHING AND HALOGEN FREE.
 9. ACCESSORIES INCLUDING: BACK PANELS, HINGEABLE FRONT PLATES, HINGED COVERS, PRINT POCKET, LATCHES, WINDOWS, AND VENTILATORS.
 10. CABINETS ARE MAINTENANCE FREE AND CORROSION RESISTANT.
 11. BACKPANEL SIZE 14.75" X 12.88"

ZONE		REVISIONS		DATE		APPROVED	
	REV	DESCRIPTION					

<p>DESIGNER: JOHN CHAPMAN</p> <p>CHECKED: JOHN CHAPMAN</p> <p>DATE: 10/1/01</p>		<p>DATE: 10/1/01</p> <p>TIME: 10:00 AM</p>		<p>PROJECT: VJ SERIES ENCLOSURE</p> <p>PART #: VJ1614NHWP1.2</p>		<p>DATE: 10/1/01</p> <p>TIME: 10:00 AM</p>		<p>DESIGNER: JOHN CHAPMAN</p> <p>CHECKED: JOHN CHAPMAN</p> <p>DATE: 10/1/01</p> <p>TIME: 10:00 AM</p>	
--	--	--	--	--	--	--	--	---	--