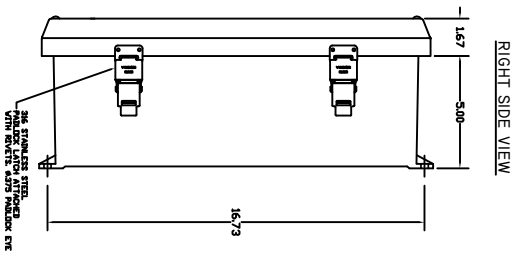
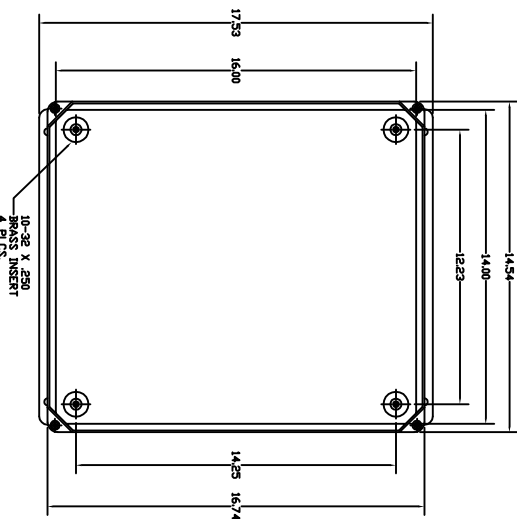


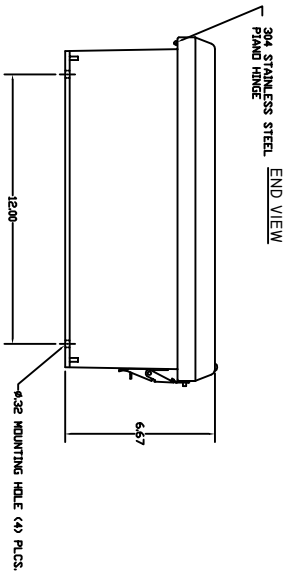
FRONT VIEW



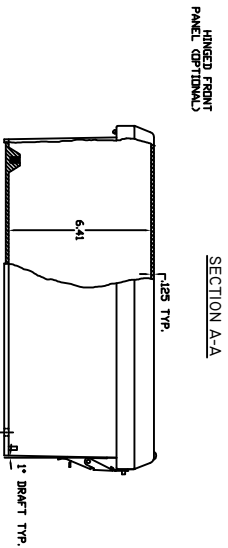
RIGHT SIDE VIEW



FRONT VIEW COVER REMOVED



304 STAINLESS STEEL PANEL HINGE  
END VIEW



HINGED FRONT PANEL (OPTIONAL)

SECTION A-A

<p>NOTES:</p> <ol style="list-style-type: none"> <li>ENCLOSURE MATERIAL: MATTE DYE GRAY (RAL 7035)</li> <li>UL LISTED PER STD. 508, FILE# E5435D.</li> <li>CSA CERTIFIED PER STD. C222 NO. 94, FILE# LR36508</li> <li>NEPA RATED TYPE 3, 3R, 3S, 4, 4X12 AND 13.</li> <li>RESISTANT TO TEMPERATURES UP TO 150 DEG C.</li> <li>SELF-EXTINGUISHING AND HALOGEN FREE.</li> <li>ACCESSORIES INCLUDE: BACK PANELS, HINGEABLE FRONT PLATES, HINGED COVERS, PRINT POCKET.</li> <li>CABINETS ARE MAINTENANCE FREE AND CORROSION RESISTANT.</li> <li>BACKPANEL SIZE 14.75" X 12.88"</li> </ol>	
<p>VALDES CONTROL PRODUCTS ENCLOSURE SYSTEMS INC.</p>	
<p>VJ SERIES ENCLOSURE VYNCKIER PART # VJ1614HWPL2</p>	
<p>DATE: 10/1/01 BY: J. J. J.</p>	<p>DATE: 10/1/01 BY: J. J. J.</p>
<p>REV: 0</p>	<p>REV: 0</p>