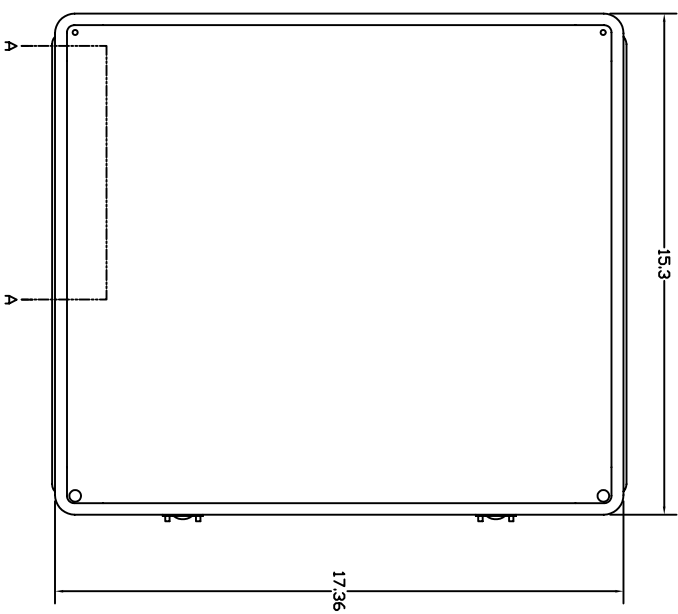
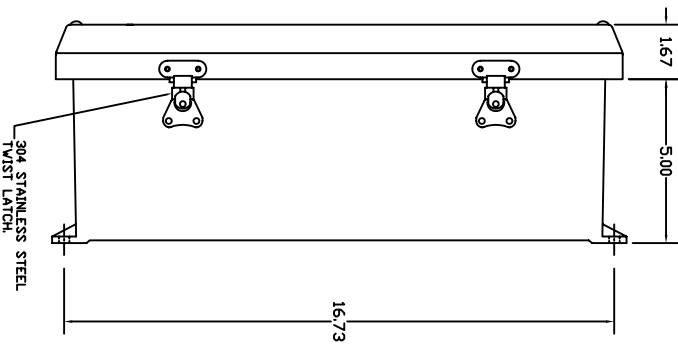


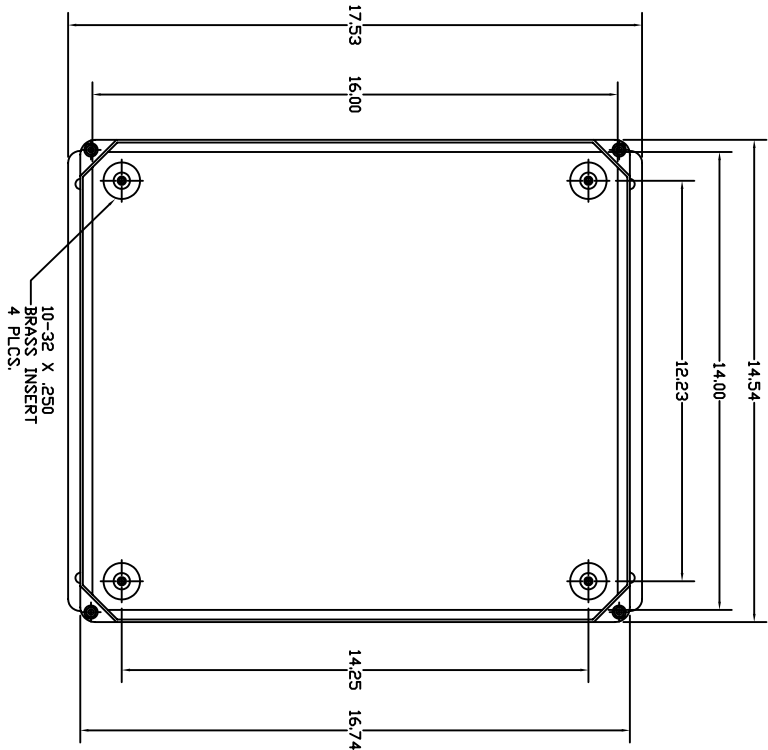
FRONT VIEW



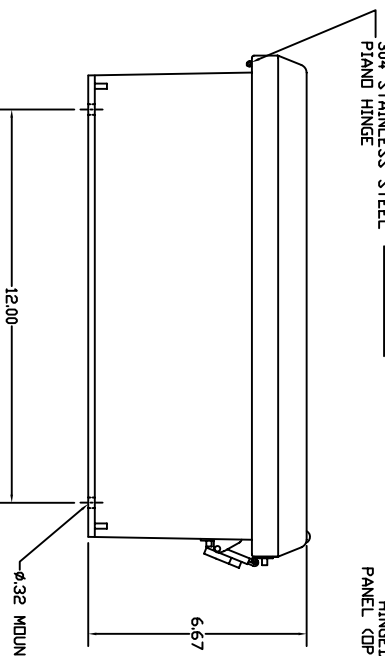
RIGHT SIDE VIEW



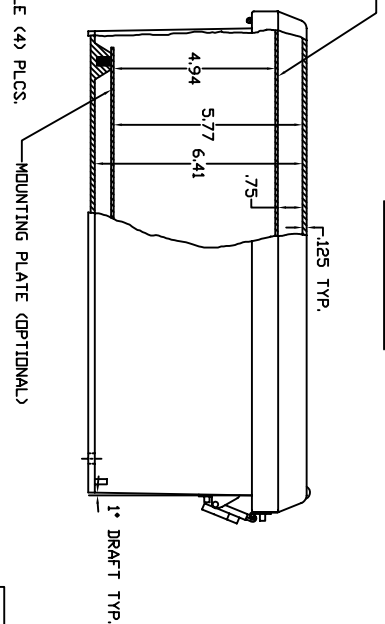
FRONT VIEW COVER REMOVED



END VIEW



SECTION A-A



- NOTES:
1. ENCLOSURE MATERIAL MADE OF GRAY (RAL 7035) HOT MOLDED FIBERGLASS REINFORCED POLYESTER.
 2. U.L. LISTED PER STD. 508, FILE# E54315)
 3. CSA CERTIFIED PER STD. C222 NO. 94 (FILE# LR36508)
 4. NEMA RATED TYPE 3, 3R, 3S, 4, 4X, 12 AND 13.
 5. IEC 529 RATED IP 66.
 6. RESISTANT TO TEMPERATURES UP TO 150 DEG C.
 7. SELF EXTINGUISHING AND HALDGEN FREE.
 8. ACCESSORIES INCLUDE: BACK PANELS, HINGEABLE FRONT PLATES, HINGED COVERS, PRINT POCKET, LATCHES, WINDOWS, AND VENTILATORS.
 9. CABINETS ARE MAINTENANCE FREE AND CORROSION RESISTANT.
 10. BACKPANEL SIZE 14.75" X 12.88"

THIS DRAWING IS THE PROPERTY OF VYNCKIER AND IS NOT TO BE REPRODUCED OR TRANSMITTED IN ANY FORM OR BY ANY MEANS, ELECTRONIC OR MECHANICAL, INCLUDING PHOTOCOPYING, RECORDING, OR BY ANY INFORMATION STORAGE AND RETRIEVAL SYSTEM.		VYNCKIER ENCLOSURE SYSTEMS INC.	
VJ SERIES ENCLOSURE VYNCKIER PART# VJ1614HWLL2	SCALE: FULL	SHEET: 0	DATE:
DESIGNED BY: VJ1614HWLL2	CHECKED BY:	DATE:	APPROVED BY:

ZONE	REV	DESCRIPTION	DATE	APPROVED