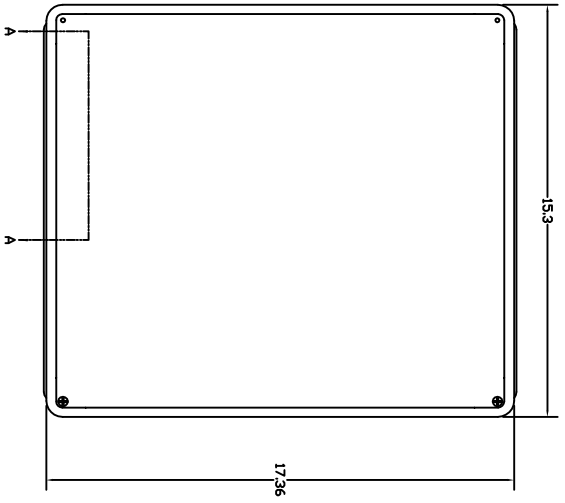


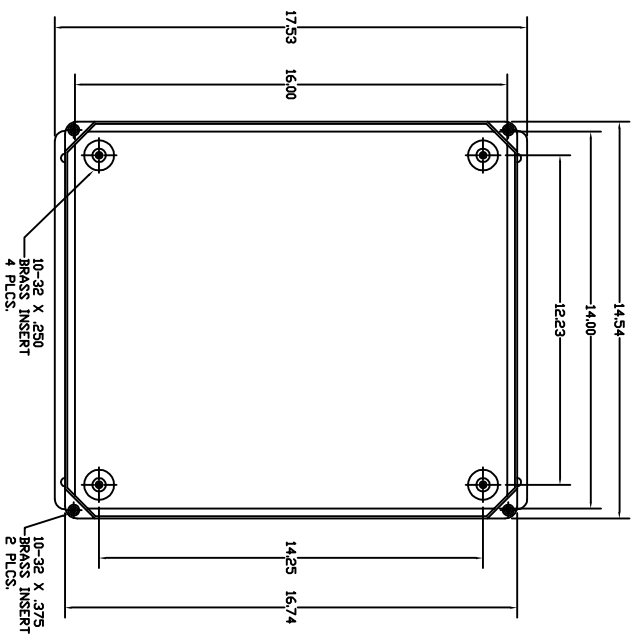
FRONT VIEW



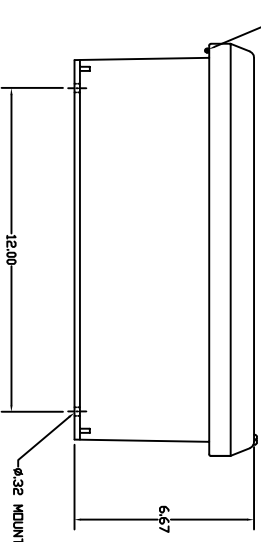
RIGHT SIDE VIEW



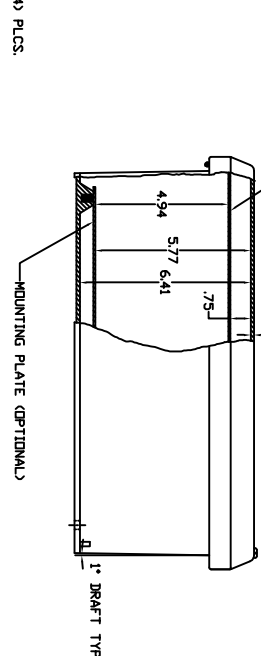
FRONT VIEW COVER REMOVED



304 STAINLESS STEEL END VIEW
FLANG HINGE



HINGED FRONT PANEL (OPTIONAL)
SECTION A-A



- NOTES:
- ENCLOSURE MATERIAL MADE OF GRAY (RAL 7036)
 - HOT MOLDED FIBERGLASS REINFORCED POLYESTER.
 - ULL LISTED PER STD. 508 (FILE# E94319)
 - ULM LISTED PER STD. 508 (FILE# E94319)
 - CSM CERTIFIED PER STD. 622 (FILE# LRB508)
 - IEC 529 RATED 15 DEG.
 - RESISTANT TO TEMPERATURES UP TO 150 DEG C.
 - SELF EXTINGUISHING AND HALOGEN FREE.
 - ACCESSORIES INCLUDING: BACK PANELS, HINGEABLE FRONT PLATES, HINGED COVERS, PRINT POCKET, LATCHES, WINDOWS, AND VENTILATORS.
 - CABINETS ARE MAINTENANCE FREE AND CORROSION RESISTANT.
 - BACKPANEL SIZE 14.75" X 12.88"

REVISIONS			
ZONE	REV	DESCRIPTION	DATE
FRONT VIEW COVER REMOVED			
VALUE CONTROL PRODUCTS 200 E. 16th St. Waukegan, IL 60087		VYNCICKER ENCLOSED SYSTEMS INC.	
V.J. SERIES ENCLOSURE VYNCICKER PART # VJ1614HW		DATE	BY
DESIGNED	BY	DATE	BY
CHECKED	BY	DATE	BY
DATE	BY	DATE	BY
0			VJ1614HW