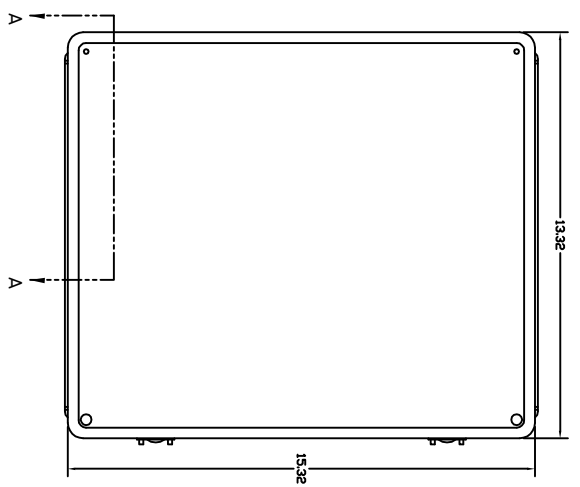
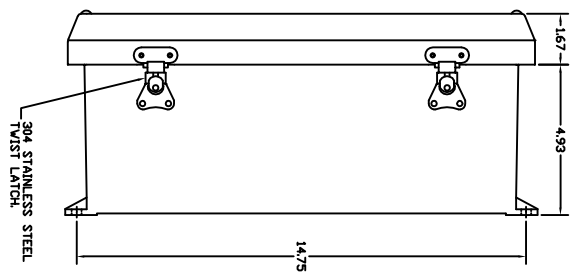


REVISIONS		DATE	APPROVED
ZONE	REV	DESCRIPTION	

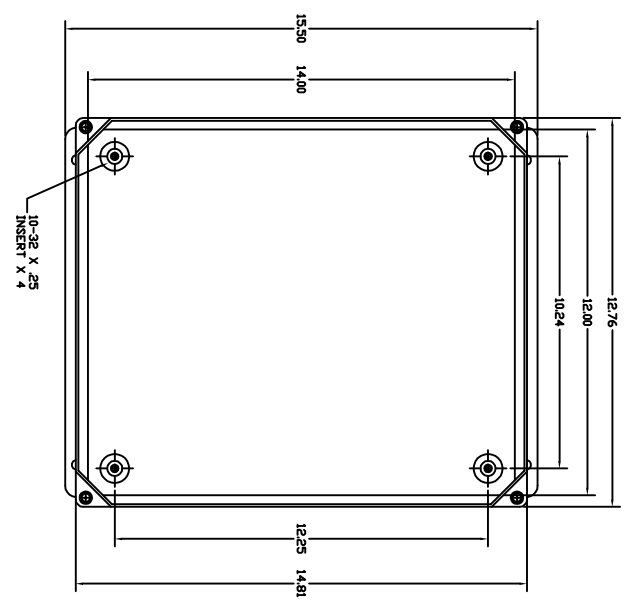
FRONT VIEW



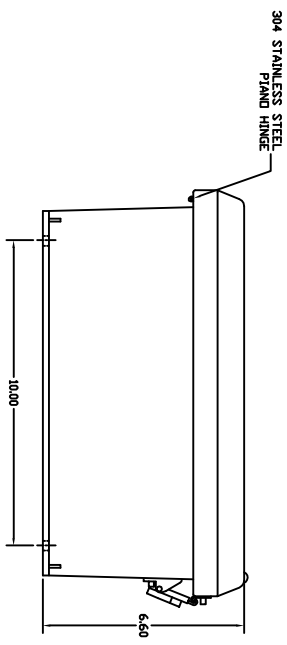
RIGHT SIDE VIEW



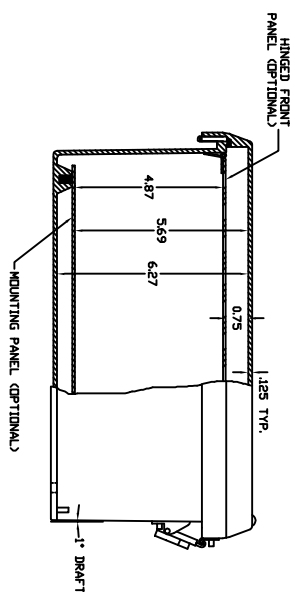
FRONT VIEW—COVER REMOVED



END VIEW



SECTION A-A



- NOTES:
- ENCLOSURE MATERIAL MADE OF GRAY (RAL 7036) HOT MOLDED FIBERGLASS REINFORCED POLYESTER.
 - U.L. LISTED PER STD. 508. (FILE# E54315)
 - CSA CERTIFIED PER STD. C222 ND 94. (FILE# LR36508)
 - NEMA RATED TYPE 3, 3R, 3S, 4, 4X, 12 AND 13.
 - IEC 529 RATED IP 68.
 - RESISTANT TO TEMPERATURES UP TO 150 DEG C.
 - SELF EXTINGUISHING AND HALOGEN FREE.
 - ACCESSORIES INCLUDE: BACK PANELS, HINGEABLE FRONT PLATES, HINGED COVERS, PRINT POCKET, LATCHES, HINGED WINDOWS, AND VENTILATORS.
 - CABINETS ARE MAINTENANCE FREE AND CORROSION RESISTANT.

VNCKIER ENCLOSURE SYSTEMS LTD.
 156 & 202 JONES & JONES
 50 WEST SCALE AVENUE
 DUNSMUIR ONTARIO
 CANADA

DATE: 2/29/01
 DRAWN: GERRI O'NEILL
 CHECKED: GERRI O'NEILL
 DESIGNED: GERRI O'NEILL

VNCKIER PART# V11412HWL2
 VNCKIER PART# V11412HWL2
 V11412HWL2
 V11412HWL2

SCALE: FULL
 SHEET: 1 OF 1