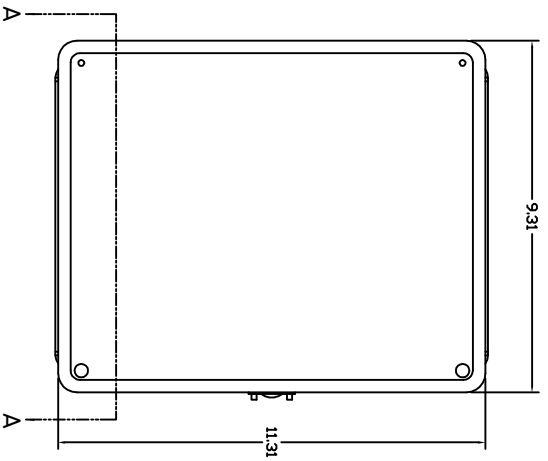
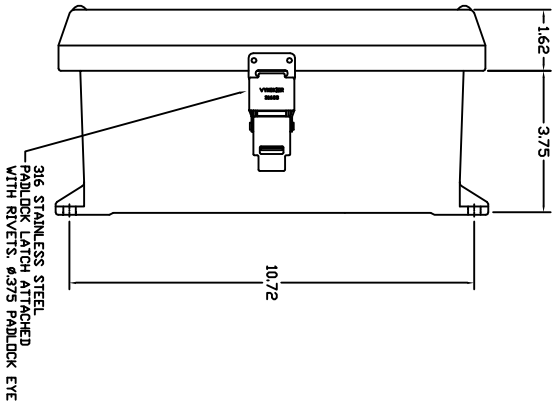


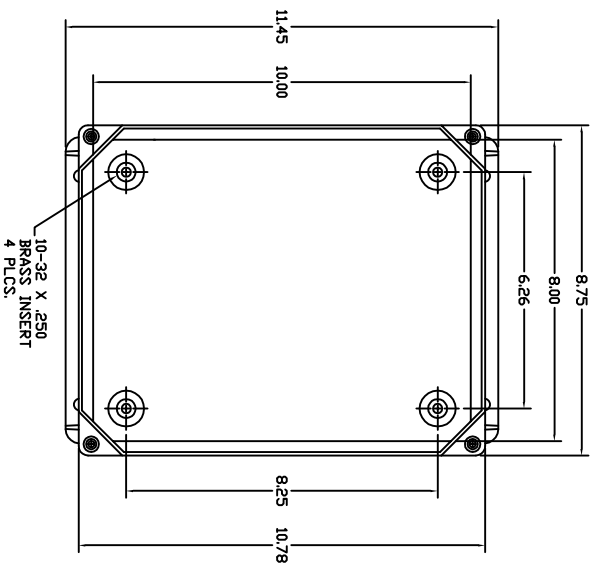
FRONT VIEW



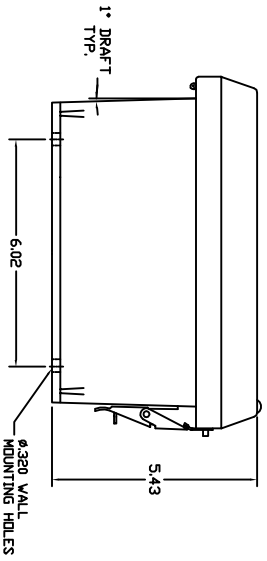
RIGHT SIDE VIEW



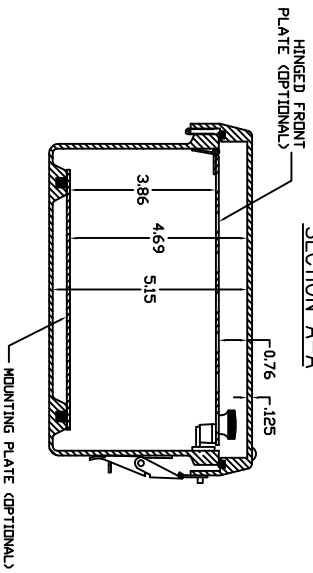
FRONT VIEW - COVER REMOVED



END VIEW



SECTION A-A



- NOTES:
- ENCLOSURE MATERIAL MADE OF GRAY (RAL 7036) HOT MOLDED FIBERGLASS REINFORCED POLYESTER.
  - U.L. LISTED PER STD 508 (FILE# E54315)
  - CSA CERTIFIED PER STD. C22.2 NO. 94 (FILE# LR36508)
  - NEMA RATED TYPE 3, 3R, 3S, 4, 4X, 12 AND 13.
  - IEC 529 RATED IP 68.
  - RESISTANT TO TEMPERATURES UP TO 150 DEG C.
  - SELF EXTINGUISHING AND HALOGEN FREE.
  - ACCESSORIES INCLUDE: BACK PANELS, HINGEABLE FRONT PLATES, HINGED COVERS, PRINT POCKET,
  - LATCHES, WINDOWS, AND VENTILATORS.
  - CABINETS ARE MAINTENANCE FREE AND CORROSION RESISTANT.

UNLESS OTHERWISE SPECIFIED DIMENSIONS ARE IN INCHES DECIMAL DIMENSIONS TO NOT BE SCALE DIMENSIONS		VYNCKIER ENCLOSURE SYSTEMS INC.	
DRAWN BY: J. J. JONES CHECKED BY: J. J. JONES DATE: 2/12/01	V1 SERIES ENCLOSURE VYNCKIER PART# V1J008HWPL1	SIZE: 19.00 X 12.00 X 10.00 SHEET NO.: 1 TOTAL SHEETS: 1	V1J008HWPL1 REV: 0