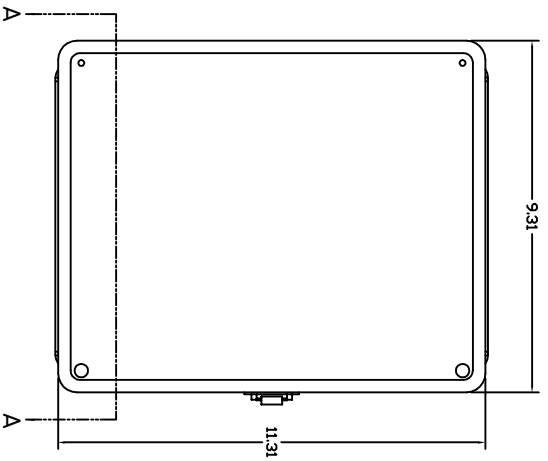
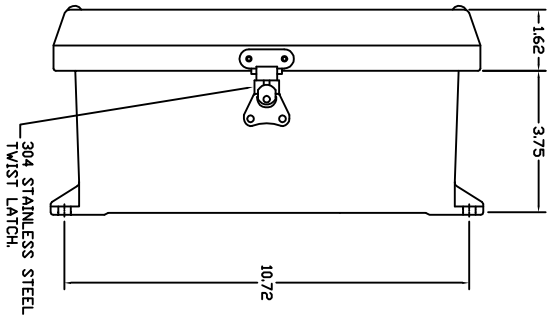


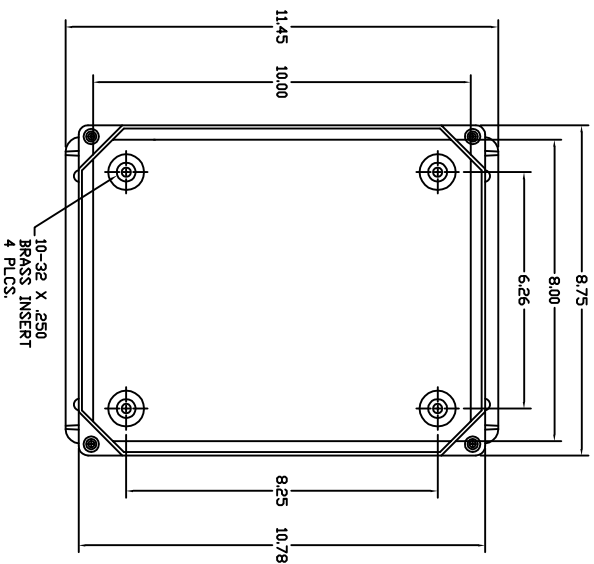
FRONT VIEW



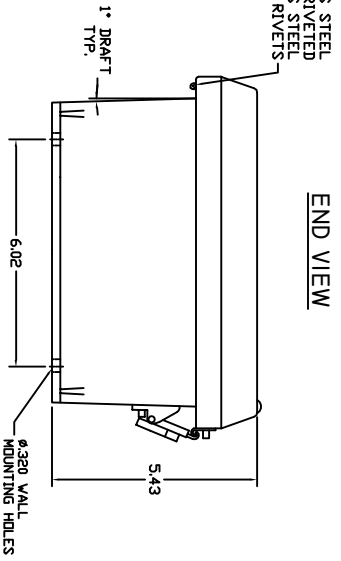
RIGHT SIDE VIEW



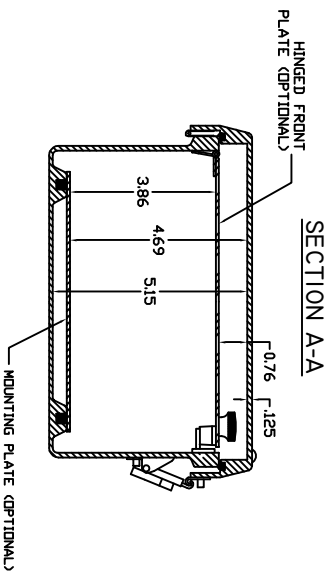
FRONT VIEW - COVER REMOVED



END VIEW



SECTION A-A



- NOTES:
- ENCLOSURE MATERIAL MADE OF GRAY (RAL 7036) HOT MOLDED FIBERGLASS REINFORCED POLYESTER.
 - U.L. LISTED PER STD. 508. (FILE# E54315)
 - CSA CERTIFIED PER STD. C22.2 NO. 94. (FILE# LR36508)
 - NEMA RATED TYPE 3, 3R, 3S, 4, 4X, 12 AND 13.
 - IEC 529 RATED IP 68.
 - RESISTANT TO TEMPERATURES UP TO 150 DEG. C.
 - SELF EXTINGUISHING AND HALOGEN FREE
 - ACCESSORIES INCLUDE: BACK PANELS, HINGEABLE FRONT PLATES, HINGED COVERS, PRINT POCKET.
 - LATCHES, WINDOWS, AND VENTILATORS.
 - CABINETS ARE MAINTENANCE FREE AND CORROSION RESISTANT.

UNLESS OTHERWISE SPECIFIED DIMENSIONS ARE IN INCHES DECIMAL DIMENSIONS TO 30 NOT NEAR DIMENSIONS		DATE 2/7/01	
DRAWN BY J. J. JONES		DATE 2/7/01	
CHECKED BY J. J. JONES		DATE 2/7/01	
DESIGNED BY J. J. JONES		DATE 2/7/01	
VJ SERIES ENCLOSURE VYNCKIER PART # VJ1008HWLL1		SIZE D	SHEET NO. 0
VYNCKIER ENCLOSURE SYSTEMS, INC.		SCALE FULL	SHEET 0