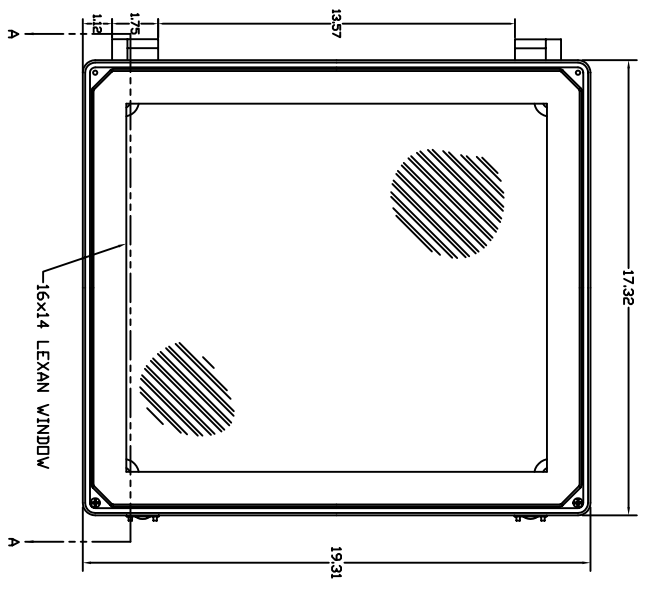
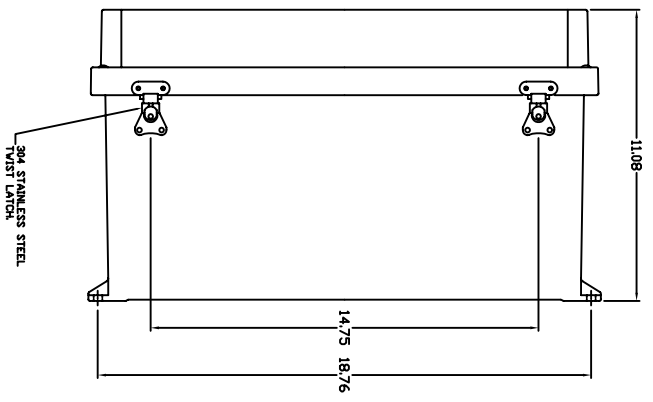


REVISIONS				
ZONE	REV	DESCRIPTION	DATE	APPROVED

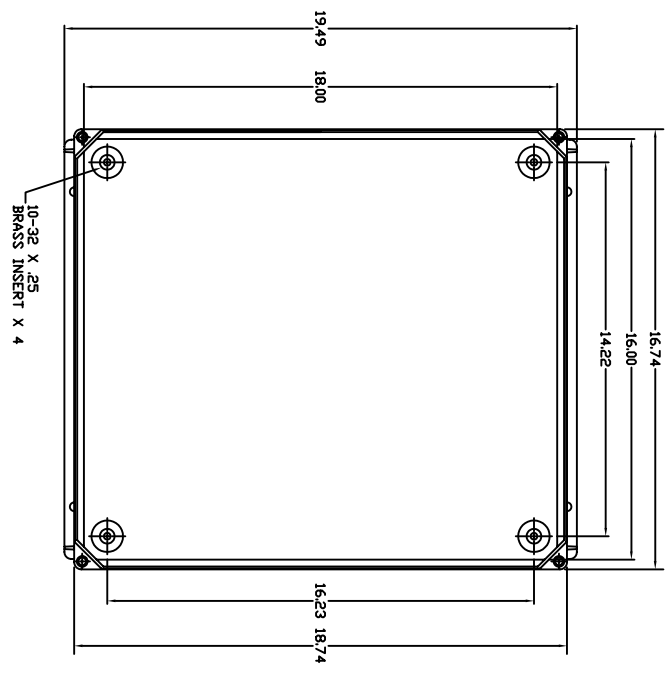
FRONT VIEW



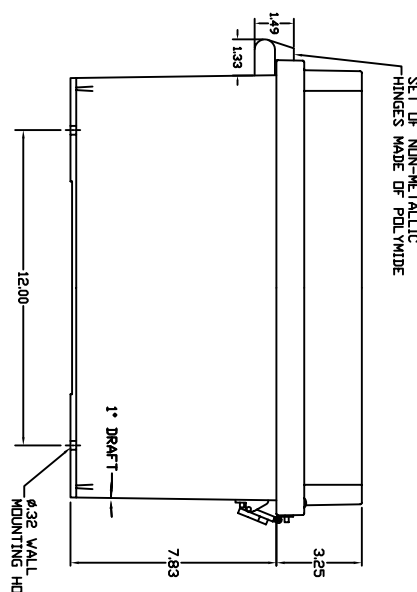
RIGHT SIDE VIEW



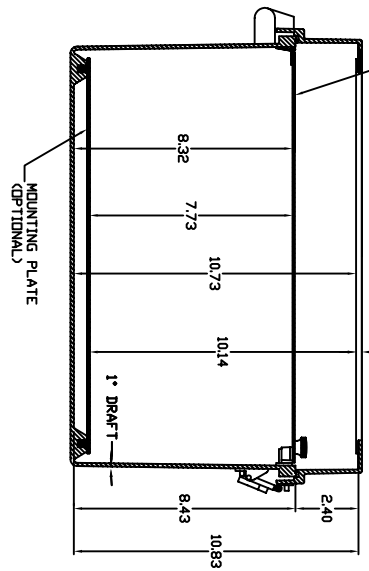
FRONT VIEW-COVER REMOVED



END VIEW



FRONT HINGE PANEL (OPTIONAL)



- NOTES:
1. ENCLOSURE MATERIAL MADE OF GRAY (RAL 7035) HOT MOLDED FIBERGLASS REINFORCED POLYESTER.
  2. UL LISTED PER STD. 508. (FILE# E54315)
  3. CSA CERTIFIED PER STD. C22.2 NO. 94. (FILE# LR36508)
  4. NEMA RATED TYPE 3, 3R, 3S, 4, 4X, 12 AND 13.
  5. IEC 529 RATED IP 66.
  6. TEMPERATURE RANGES FROM -50 DEG C TO 150 DEG C.
  7. SELF EXTINGUISHING AND HALOGEN FREE.
  8. ACCESSORIES INCLUDE: BACK PANELS, DEAD FRONT PANELS, HINGED FRONT PLATES, HINGED COVERS, PRINT POCKETS, LATCHES, WINDOWS, AND VENTILATORS.
  9. CABINETS ARE MAINTENANCE FREE AND CORROSION RESISTANT.

UNLESS OTHERWISE SPECIFIED:  
DIMENSIONS IN INCHES  
TOLERANCES  
DECIMALS .0125 .0005 & .008  
FRACTIONS 1/32 3/64 1/16 1/8 3/16 1/4 3/8 1/2 5/8 3/4 7/8 1 1 1/4 1 1/2 1 3/4 2 2 1/4 2 1/2 3 3 1/4 3 1/2 4 4 1/2 5 5 1/2 6 6 1/2 7 7 1/2 8 8 1/2 9 9 1/2 10 11 12  
DO NOT SCALE DRAWING

DATE: 9/17/06  
DRAWN: T. SERRANO  
CHECKED: [Signature]  
DESIGN: [Signature]

SCALE: FULL

SYNCKLER ENCLOSURE SYSTEMS, INC.  
VYNCKIER PART# RVJBI816NHILL2

REV: 0

SHEET