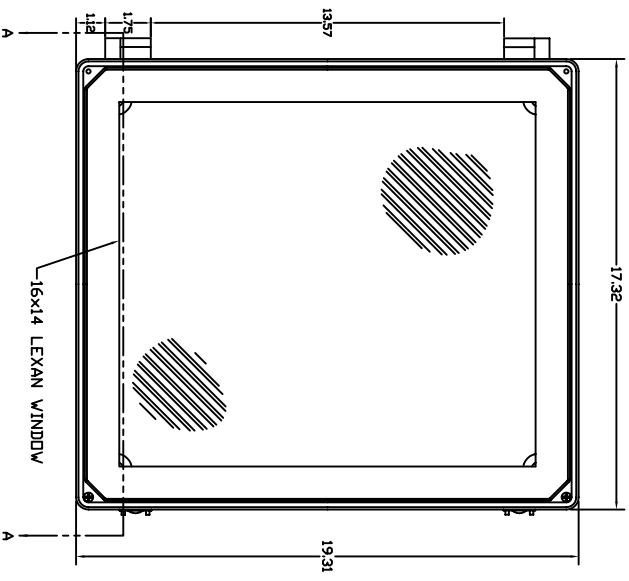
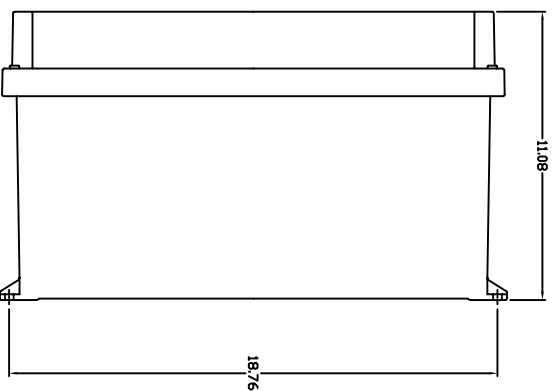


REVISIONS		DATE	APPROVED
ZONE	REV	DESCRIPTION	

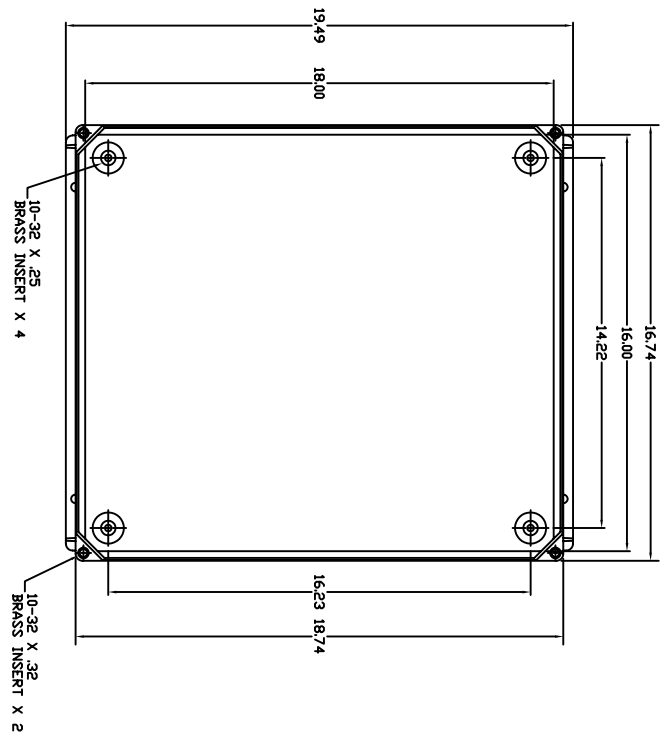
FRONT VIEW



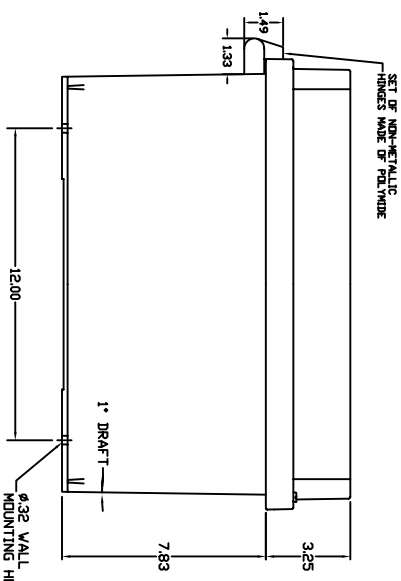
RIGHT SIDE VIEW



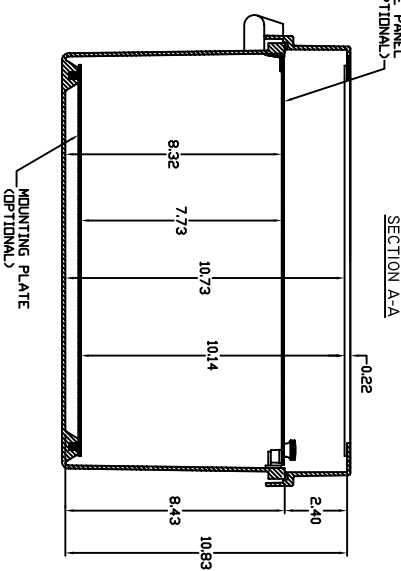
FRONT VIEW COVER REMOVED



END VIEW



FRONT HINGE PANEL (OPTIONAL)



- NOTES:
- ENCLOSURE MATERIAL MADE OF GRAY (RAL 7035) HOT MOLDED FIBERGLASS REINFORCED POLYESTER.
 - UL LISTED PER STD. 508 (FILE# E34315)
 - CSA CERTIFIED PER STD. C222 MDL 794 (FILE# LR36508)
 - NEMA RATED TYPE 3, 3R, 3S, 4, 4X, 12 AND 13.
 - IEC 529 RATED IP 66.
 - TEMPERATURE RANGES FROM -50 DEG C TO 150 DEG C.
 - SELF EXTINGUISHING AND HALOGEN FREE.
 - ACCESSORIES INCLUDE: BACK PANELS, DEAD FRONT PANELS, HINGED FRONT PLATES, HINGED COVERS, PRINT POCKETS, LATCHES, WINDOWS, AND VENTILATORS.
 - CABINETS ARE MAINTENANCE FREE AND CORROSION RESISTANT.

UNLESS OTHERWISE SPECIFIED: DIMENSIONS ARE IN INCHES

DESIGNER: T. SERNANO DATE: 9/19/08

CHECKED: J.C. # 20312 J.OOK # .005

SCALE: FULL

YVCKIER ENCLOSURE SYSTEMS, INC.

YVCKIER PART # RYJ1816NHV

REV 0