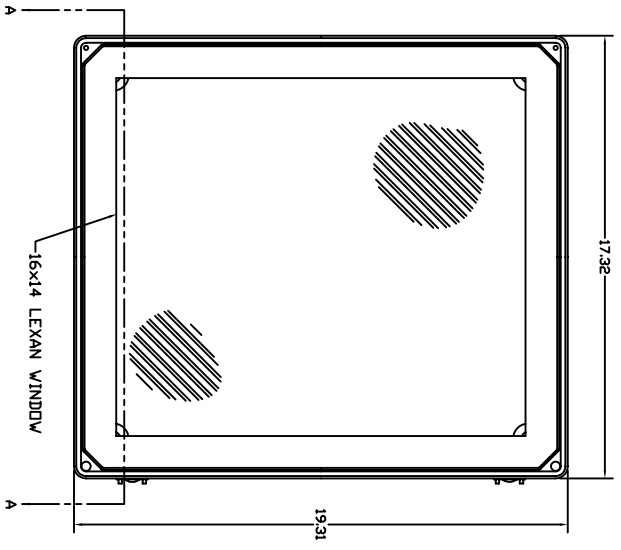
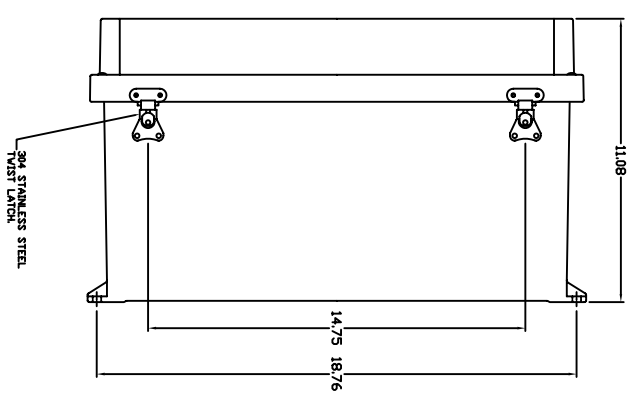


REVISIONS		DATE	APPROVED
ZONE	REV	DESCRIPTION	

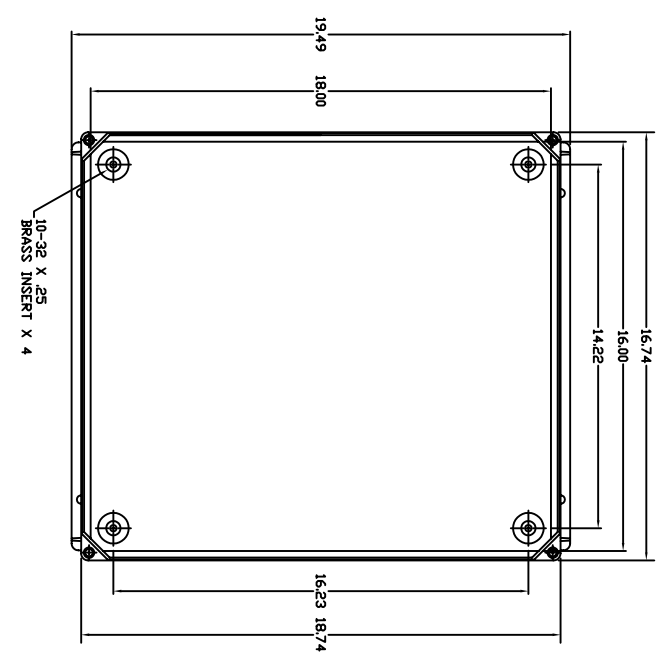
FRONT VIEW



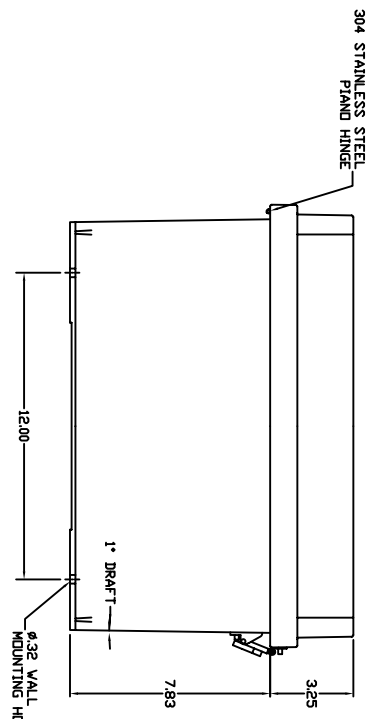
RIGHT SIDE VIEW



FRONT VIEW-COVER REMOVED

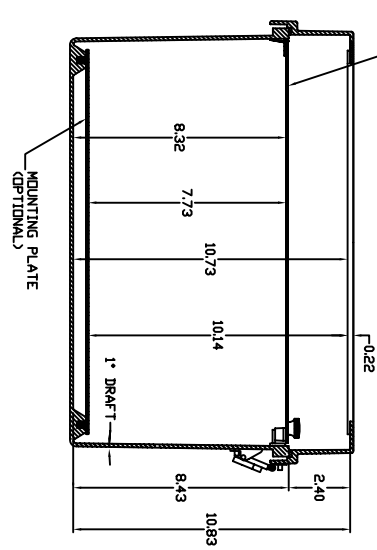


END VIEW



FRONT HINGE PANEL (OPTIONAL)

SECTION A-A



- NOTES:
1. ENCLOSURE MATERIAL MADE OF GRAY (RAL 7035) HOT MOLDED FIBERGLASS REINFORCED POLYESTER.
  2. U.L. LISTED PER STD. 508. (FILE# E54315)
  3. CSA CERTIFIED PER STD. C22.2 NO. 94. (FILE# LR36508)
  4. NEMA RATED TYPE 3, 3R, 3S, 4, 4X, 12 AND 13.
  5. IEC 529 RATED IP 66 FROM -50 DEG C TO 150 DEG C.
  6. TEMPERATURE RANGES AND HALOGEN FREE.
  7. SELF EXTINGUISHING AND HALOGEN FREE.
  8. ACCESSORIES INCLUDE: BACK PANEL'S DEAD FRONT PANELS, HINGED FRONT PLATES, HINGED DOVERS, PRINT POCKETS, LATCHES, WINDOWS, AND VENTILATORS.
  9. CABINETS ARE MAINTENANCE FREE AND CORROSION RESISTANT.

UNLESS OTHERWISE SPECIFIED: DIMENSIONS IN INCHES DECIMALS TO 0.010 DO NOT SCALE DRAWING DATE: 9/17/06

DESIGN: I. SERRANO

CHECKED: [Signature]

SCALE: FULL

SIZE: FROM NO. DWG NO. RVJB1816HLL2 SHEET 0

YVNCCKIER ENCLOSURE SYSTEMS, INC.

YVNCCKIER PART # RVJB1816HLL2

THE NUMBER 2 IN THE CORNERS OF THE DRAWING INDICATES THE NUMBER OF COPIES OF THIS DRAWING TO BE PROVIDED TO THE CUSTOMER. THE NUMBER 1 IN THE CORNERS INDICATES THE NUMBER OF COPIES TO BE PROVIDED TO THE CUSTOMER.