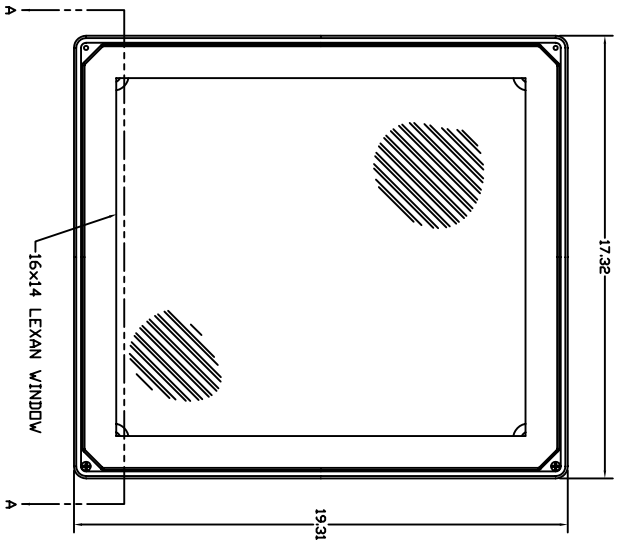
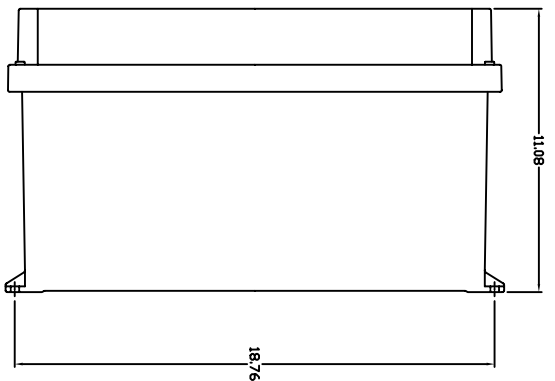


REVISIONS				
ZONE	REV	DESCRIPTION	DATE	APPROVED

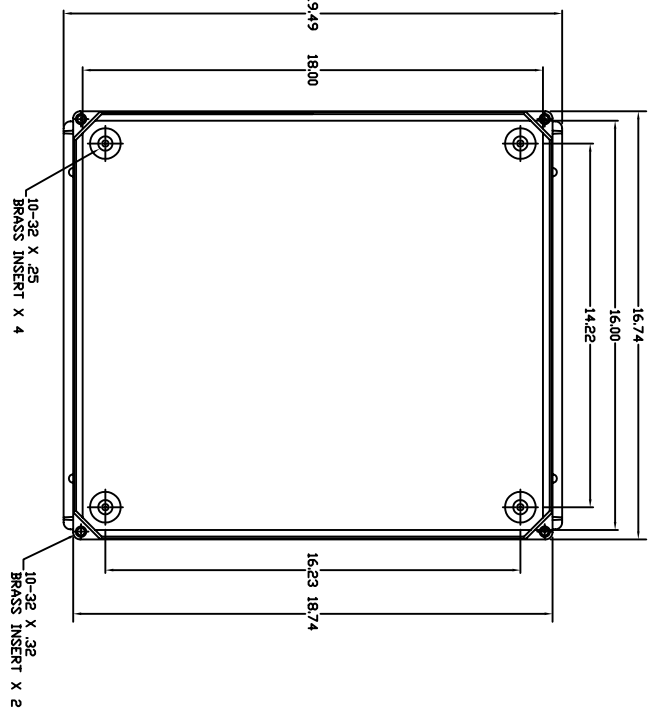
FRONT VIEW



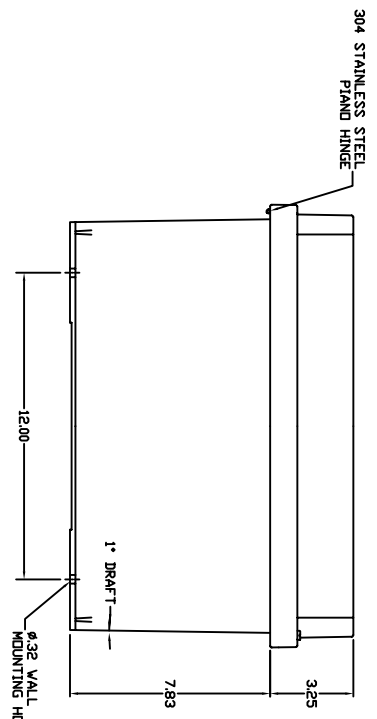
RIGHT SIDE VIEW



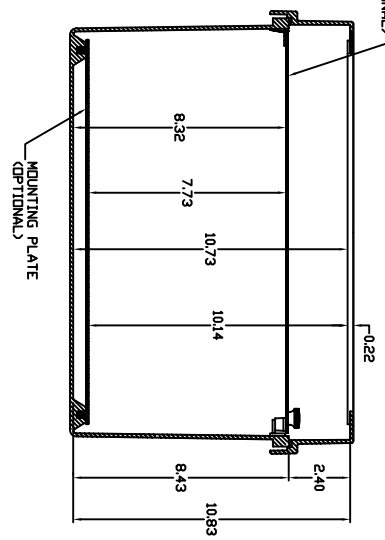
FRONT VIEW-COVER REMOVED



END VIEW



FRONT HINGE PANEL (OPTIONAL)



- NOTES:
1. ENCLOSURE MATERIAL MADE OF GRAY (RAL 7035) HOT MOLDED FIBERGLASS REINFORCED POLYESTER.
 2. U.L. LISTED PER STD. 508. (FILE# E54315)
 3. CSA CERTIFIED PER STD. C22.2 NO. 94. (FILE# LR36508)
 4. NEMA RATED TYPE 3, 3R, 3S, 4, 4X, 12 AND 13.
 5. IEC 529 RATED IP 66 FROM -50 DEG C TO 150 DEG C.
 6. TEMPERATURE RANGES AND HALOGEN FREE.
 7. SELF EXTINGUISHING AND HALOGEN FREE.
 8. ACCESSORIES INCLUDE: BACK PANEL'S DEAD FRONT PANELS, HINGED FRONT PLATES, HINGED DOORS, PRINT PROTECTS, LATCHES, WINDOWS, AND VENTILATORS.
 9. CABINETS ARE MAINTENANCE FREE AND CORROSION RESISTANT.

UNLESS OTHERWISE SPECIFIED: DIMENSIONS IN INCHES

YVYCKIER ENCLOSURE SYSTEMS, INC.

YVYCKIER PART # RVJB1816HW

SCALE: FULL SHEET

DATE: 5/17/06

DESIGN: I. SERRANO

CHECKED: [Signature]

SIZE: FROM NO. DWG NO. RVJB1816HW REV: 0

THE NUMBER IN THE CORNERS OF THIS DRAWING IS THE NUMBER OF THE DRAWING AS APPROVED BY THE ENGINEER. IT IS THE RESPONSIBILITY OF THE USER TO VERIFY THE CORRECTNESS OF THE INFORMATION CONTAINED HEREIN.