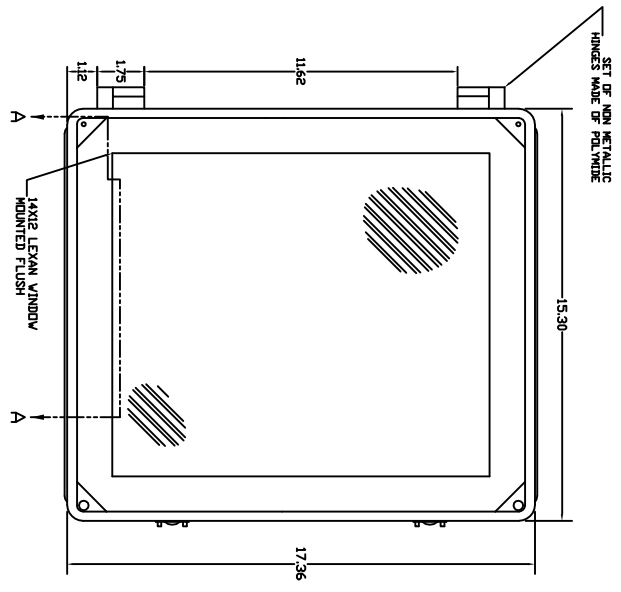
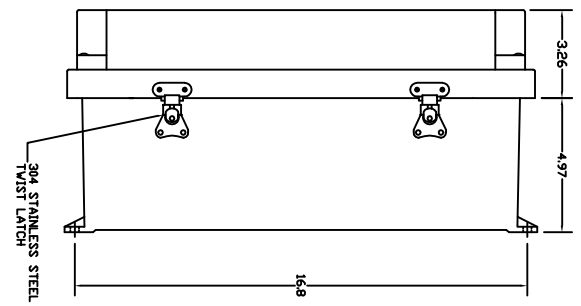


REVISIONS		DATE	APPROVED
ZONE	REV	DESCRIPTION	

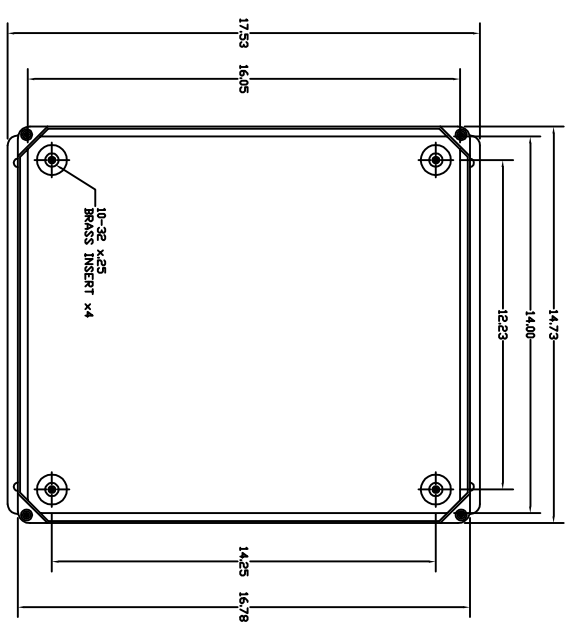
FRONT VIEW



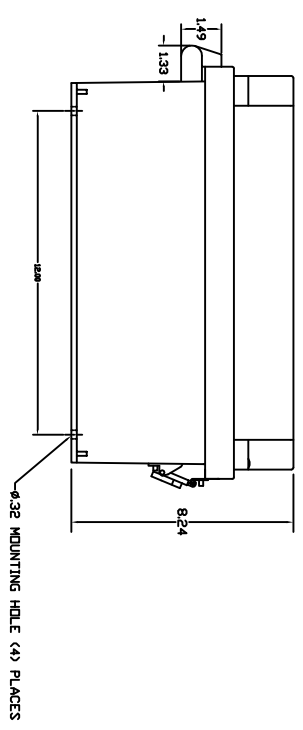
RIGHT SIDE VIEW



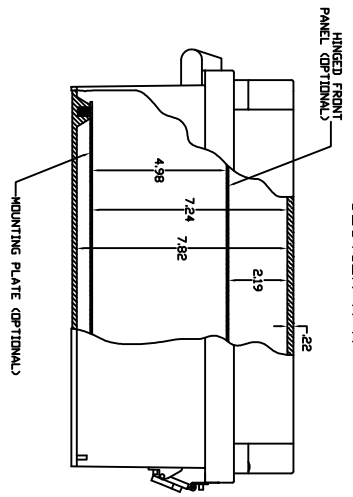
FRONT VIEW COVER REMOVED



END VIEW



SECTION A-A



- NOTES:**
1. ENCLOSURE MATERIAL MADE OF GRAY (RAL 7036) HOT MOLDED FIBERGLASS REINFORCED POLYESTER.
 2. IEC 60950-1 COMPLIANT (CLASS 2) AND CLASS 1 (LRS6908)
 3. CSA CERTIFIED PER STD. C22.2 NO. 597.1 (LRS6908)
 4. NEMA RATED TYPE 3, 3R, 3S, 4, 4X, 12 AND 13.
 5. IEC 529 RATED IP 68.
 6. TEMPERATURE RANGES FROM -50 DEG C TO 150 DEG C.
 7. ACCESSORIES INCLUDE: HINGED FRONT PANEL, HINGED FRONT PLATES, HINGED COVERS, PRINT POCKETS, LATCHES, WINDOWS, AND VENTILATORS.
 8. CABINETS ARE MAINTENANCE FREE AND CORROSION RESISTANT.

VINCIGKIER ENCLOSURE SYSTEMS LTD. 2000 W. 10TH AVENUE SUITE 200 DENVER, CO 80202 TEL: 303.733.8888 FAX: 303.733.8889 WWW.VINCIGKIER.COM		VJ SERIES ENCLOSURE VINCIGKIER PART# RVJ06/614/HHWLL2 REV. 01/2014	
QUANTITY ORDER NO. DATE	QUANTITY ORDER NO. DATE	QUANTITY ORDER NO. DATE	QUANTITY ORDER NO. DATE

NO DRAWING IS TO BE CONSIDERED AN OFFICIAL DRAWING OF ANY TYPE UNLESS IT IS SIGNED AND SEALED BY AN ENGINEER REGISTERED IN THE STATE OF COLORADO.