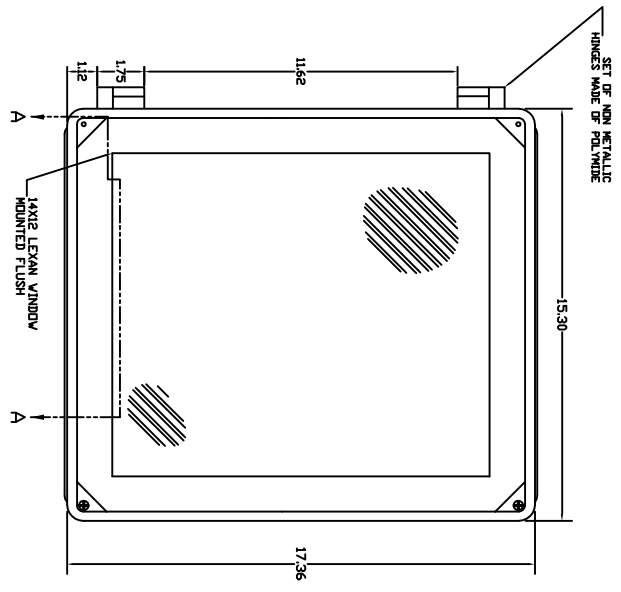
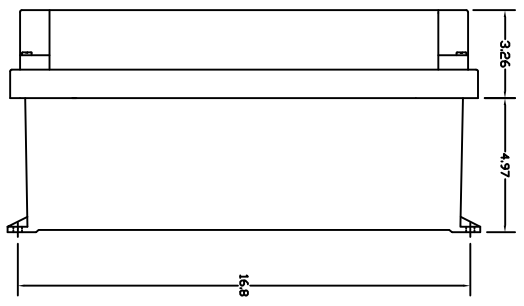


REVISIONS		DATE	APPROVED
ZONE	REV	DESCRIPTION	

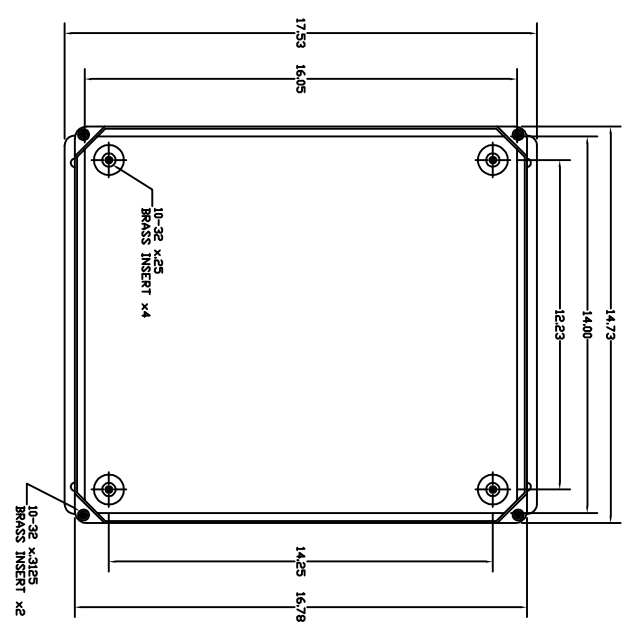
FRONT VIEW



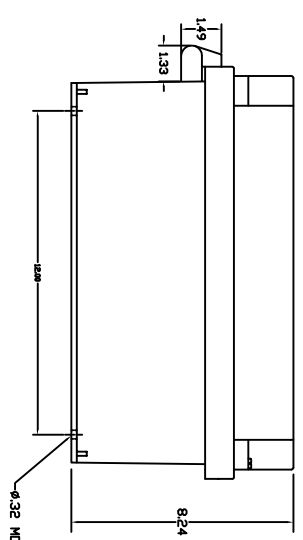
RIGHT SIDE VIEW



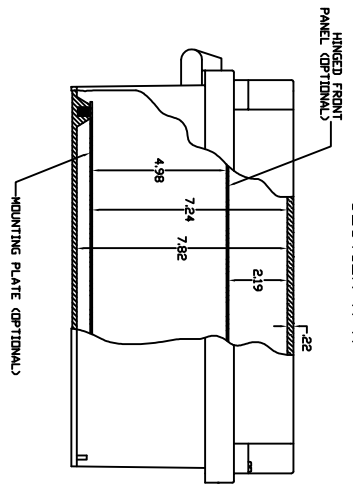
FRONT VIEW COVER REMOVED



END VIEW



SECTION A-A



- NOTES:**
1. ENCLOSURE MATERIAL MADE OF GRAY (RAL 7036)
 2. HOT MOLDED FIBERGLASS REINFORCED POLYESTER
 3. CSA CERTIFIED PER STD. C22.2 NO. 597.1 (LR6908)
 4. NEMA RATED TYPE 3, 3R, 3S, 4, 4X, 12 AND 13.
 5. IEC 529 RATED IP 68.
 6. TEMPERATURE RANGES FROM -50 DEG C TO 150 DEG C.
 7. ACCESSORIES INCLUDE: BACK PANEL, REAR FRONT PANEL, S, HINGED FRONT PLATES, HINGED COVERS, PRINT POCKETS, LATCHES, WINDOWS, AND VENTILATORS.
 8. CABINETS ARE MAINTENANCE FREE AND CORROSION RESISTANT.

VINCIGIER ENCLOSURE SYSTEMS LTD. 2000 W. 10TH AVE. SUITE 200 CALGARY, ALBERTA T2C 1L9 CANADA TEL: (403) 243-8888 FAX: (403) 243-8889		DRAWING NO. VJ-21614NHV REV. 0
DATE: 01/12/01 DRAWN BY: D CHECKED BY: D APPROVED BY: D	PART NO. VJ-21614NHV QTY. 1	REV. 0

NO DRAWING IS TO BE CONSIDERED AS A CONTRACT DOCUMENT UNLESS IT IS SPECIFICALLY REFERRED TO AS SUCH IN THE CONTRACT DOCUMENTS.