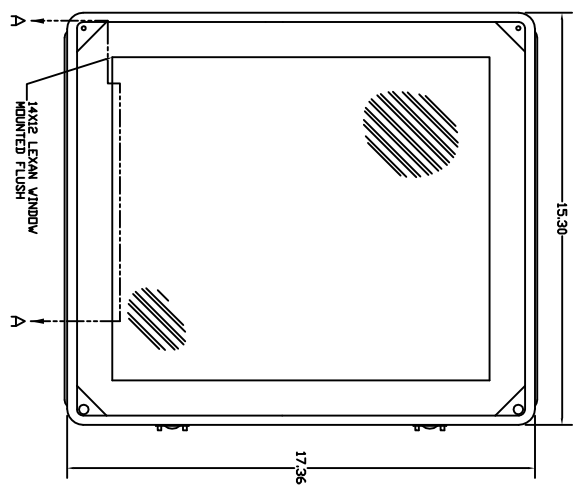
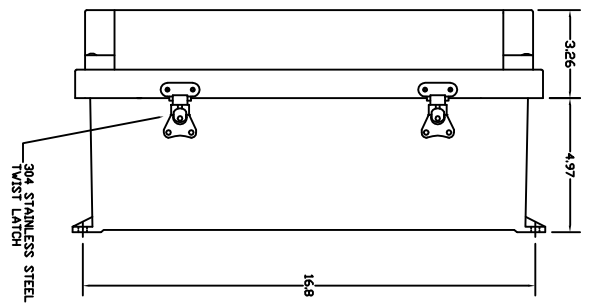


| REVISIONS | | DATE | APPROVED |
|-----------|-----|-------------|----------|
| ZONE | REV | DESCRIPTION | |

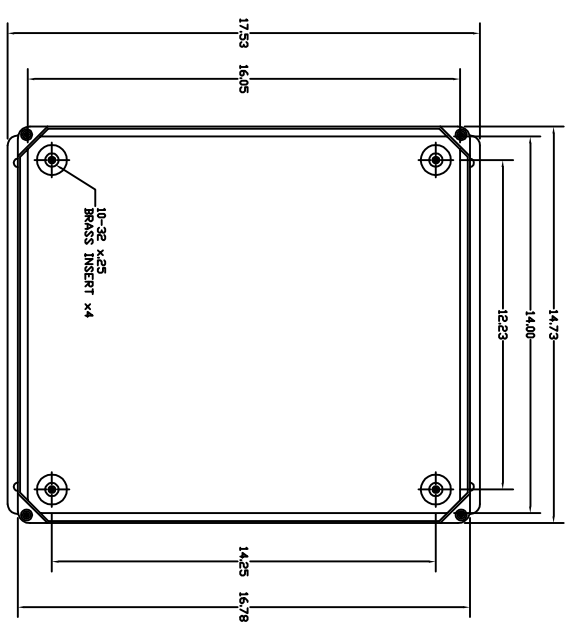
FRONT VIEW



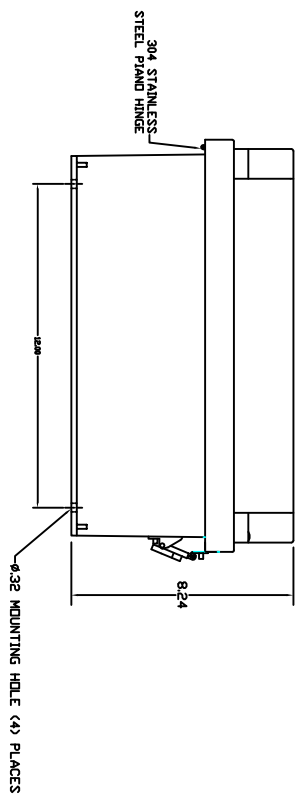
RIGHT SIDE VIEW



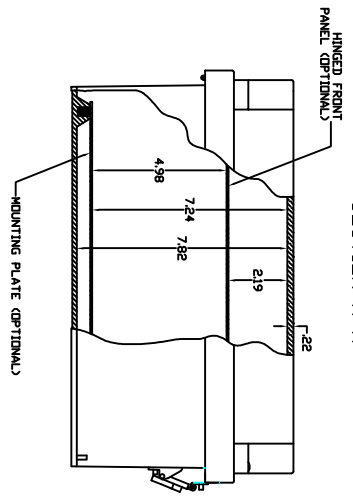
FRONT VIEW COVER REMOVED



END VIEW



SECTION A-A



- NOTES:
1. ENCLOSURE MATERIAL MADE OF GRAY (RAL 7036) HOT MOLDED FIBERGLASS REINFORCED POLYESTER.
 2. CSA CERTIFIED PER STD. C22.2 NO. 597.1 (LR6908)
 3. NEMA RATED TYPE 3, 3R, 3S, 4, 4X, 12 AND 13.
 4. IEC 529 RATED IP 68.
 5. TEMPERATURE RANGES FROM -50 DEG C TO 150 DEG C.
 6. ACCESSORIES INCLUDE: BACK PANEL, REAR FRONT PANEL, S, HINGED FRONT PLATES, HINGED COVERS, PRINT POCKETS, LATCHES, WINDOWS, AND VENTILATORS.
 7. CABINETS ARE MAINTENANCE FREE AND CORROSION RESISTANT.

VINCICKIER
 ENCLOSURE SYSTEMS LTD.
 1000 W. 10TH AVENUE
 SUITE 200
 CALGARY, ALBERTA T2C 1L8
 CANADA
 TEL: (403) 243-8888
 FAX: (403) 243-8889
 WWW.VINCICKIER.COM

| | | | |
|----------|------|-----|----|
| DESIGNED | DATE | REV | BY |
| REVISED | DATE | REV | BY |
| APPROVED | DATE | REV | BY |

VJ SERIES ENCLOSURE
 VINCICKIER PART# RVJUB/614/HWLL2
 QTY: 1
 DRAWING NO: RVJUB/614/HWLL2
 SHEET: 0

NO DRAWING IS TO BE CONSIDERED AS A CONTRACT DOCUMENT UNLESS IT IS SPECIFICALLY REFERRED TO AS SUCH IN THE CONTRACT DOCUMENTS. THE DRAWING IS THE PROPERTY OF VINCICKIER ENCLOSURE SYSTEMS LTD. AND IS NOT TO BE REPRODUCED OR TRANSMITTED IN ANY FORM OR BY ANY MEANS, ELECTRONIC OR MECHANICAL, INCLUDING PHOTOCOPYING, RECORDING, OR BY ANY INFORMATION STORAGE AND RETRIEVAL SYSTEM, WITHOUT THE WRITTEN PERMISSION OF VINCICKIER ENCLOSURE SYSTEMS LTD.