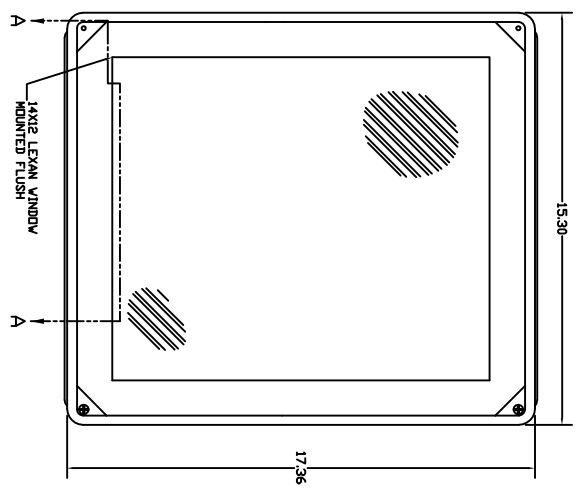
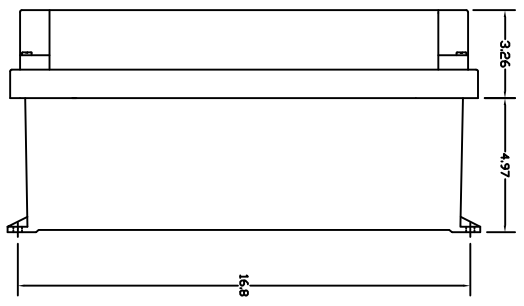


REVISIONS		DATE	APPROVED
ZONE	REV	DESCRIPTION	

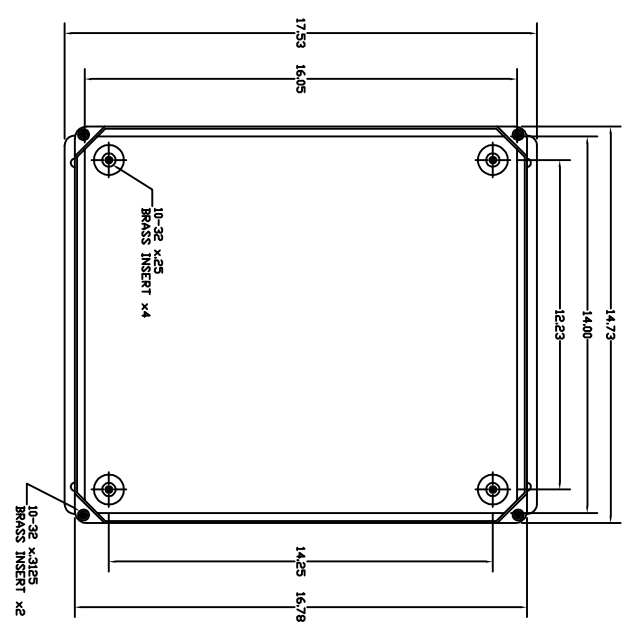
FRONT VIEW



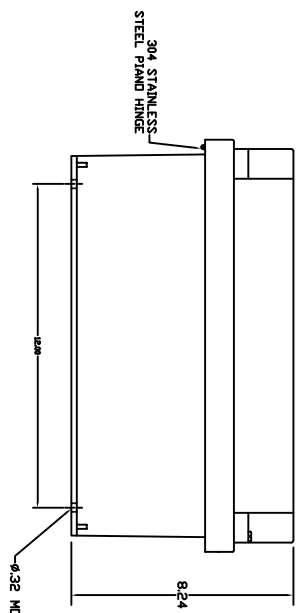
RIGHT SIDE VIEW



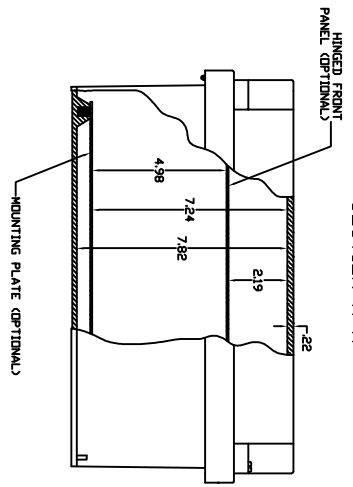
FRONT VIEW COVER REMOVED



END VIEW



SECTION A-A



- NOTES:**
1. ENCLOSURE MATERIAL MADE OF GRAY (RAL 7036) HOT MOLDED FIBERGLASS REINFORCED POLYESTER.
 2. IEC 60950-1 CLASSIFICATION: CLASS 1 (LRS6908)
 3. CSA CERTIFIED PER STD. C22.2 NO. 597.1 (LRS6908)
 4. NEMA RATED TYPE 3, 3R, 3S, 4, 4X, 12 AND 13.
 5. IEC 529 RATED IP 68.
 6. TEMPERATURE RANGES FROM -50 DEG C TO 150 DEG C.
 7. ACCESSORIES INCLUDE: BACK PANEL, REAR FRONT PANEL, S, HINGED FRONT PLATES, HINGED COVERS, PRINT POCKETS, LATCHES, WINDOWS, AND VENTILATORS.
 8. CABINETS ARE MAINTENANCE FREE AND CORROSION RESISTANT.

VINCICKLER ENCLOSURE SYSTEMS LTD.

VJ SERIES ENCLOSURE
 VINCICKLER PART # RVJ0614HW

DATE: 06/20/06
 DRAWN BY: RY-28163/AM
 CHECKED BY: D
 SCALE: 1:1
 SHEET: 0

NO DRAWING IS TO BE CONSIDERED VALID UNLESS IT IS ACCOMPANIED BY THE ORIGINAL DRAWING AND THE ORIGINAL DRAWING IS NOT AVAILABLE FROM THE ORIGINAL DRAWING SOURCE.