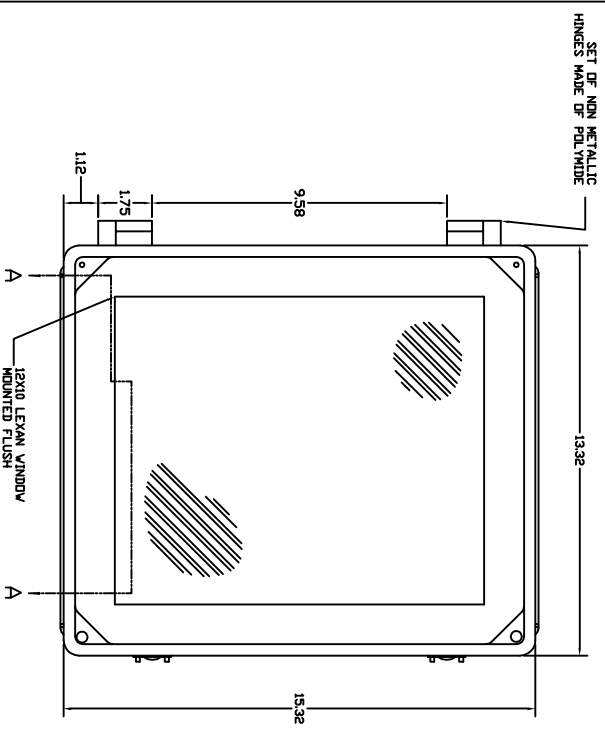
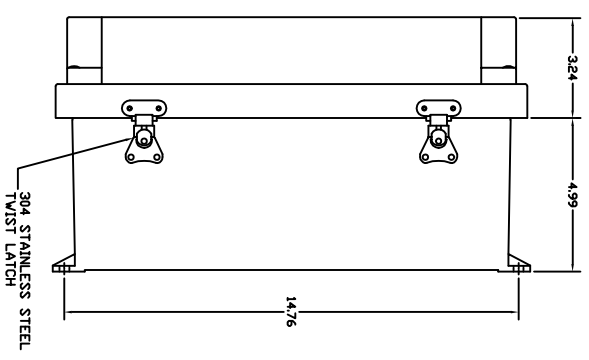


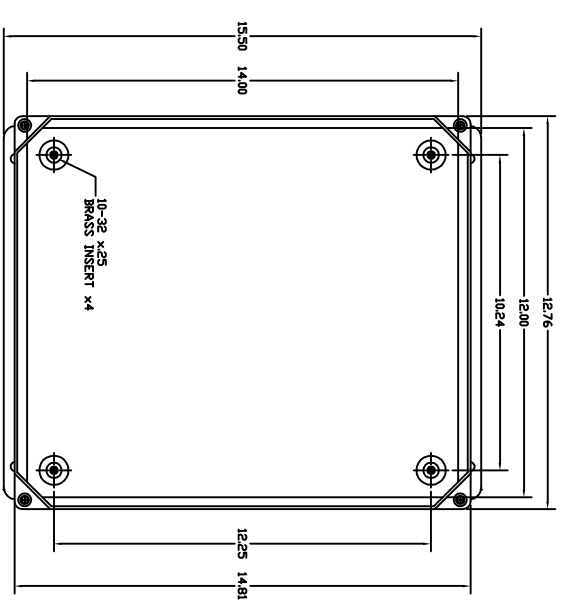
FRONT VIEW



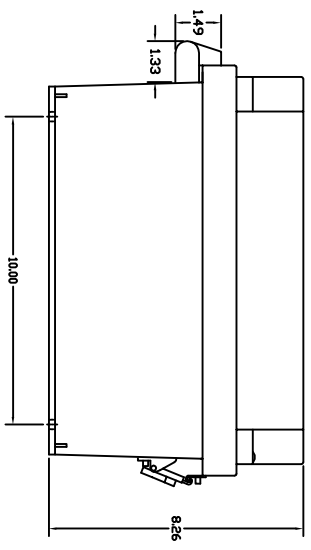
RIGHT SIDE VIEW



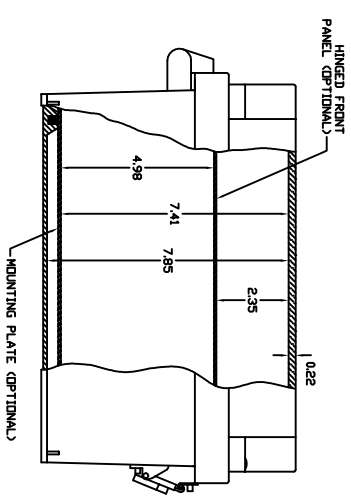
FRONT VIEW-COVER REMOVED



END VIEW



SECTION A-A



- NOTES:**
1. ENCLOSURE MATERIAL MADE OF GRAY (RAL 7036) HOT MOLDED FIBERGLASS REINFORCED POLYESTER.
  2. UL LISTED PER STD. 508, FILE# E54315)
  3. CSA CERTIFIED PER STD. C22.2 NO. 94, FILE# LR36508)
  4. NEMA RATED TYPE 3, 3R, 3S, 4, 4X12 AND 13.
  5. IEC 529 RATED IP 68.
  6. RESISTANT TO TEMPERATURES UP TO 150 DEG C.
  7. SELF EXTINGUISHING AND HALOGEN FREE.
  8. ACCESSORIES INCLUDING: BACK PANELS, HINGEABLE FRONT PLATES, HINGED COVERS, PRINT POCKET, LATCHES, VINDOWS, AND VENTILATORS.
  9. CABINETS ARE MAINTENANCE FREE AND CORROSION RESISTANT.

VYNCKIER ENCLOSURE SYSTEMS LTD. 156 & 157 15000 HWY 7 MISSISSAUGA, ONTARIO L4X 1L7 CANADA		VYNCKIER PART # RVJBI412NHVLL2 VYNCKIER PART # RVJBI412NHVLL2	
DESIGNED BY CHECKED BY DRAWN BY DATE 10/22/04	DESIGNED BY CHECKED BY DRAWN BY DATE 10/22/04	SIZE 1/8" X 1/4" X 1/8"	SHEET 1 OF 1