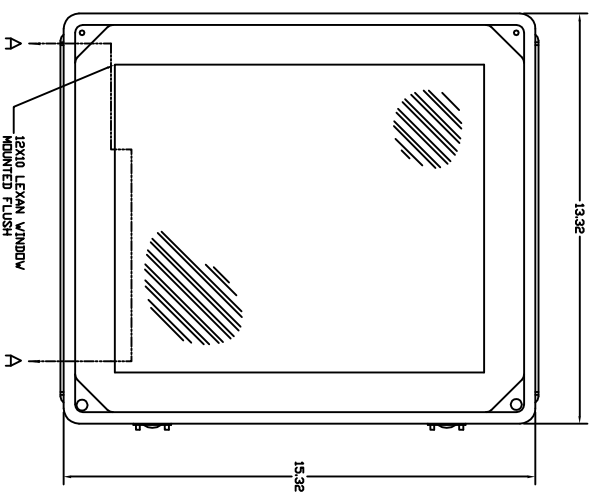
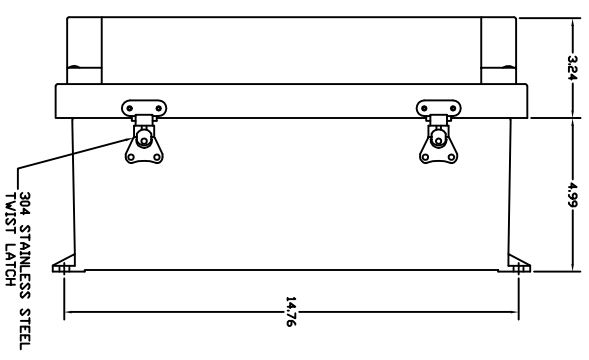


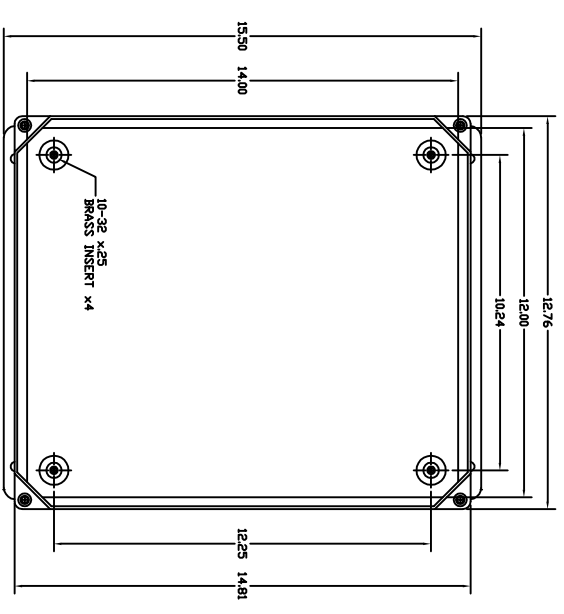
FRONT VIEW



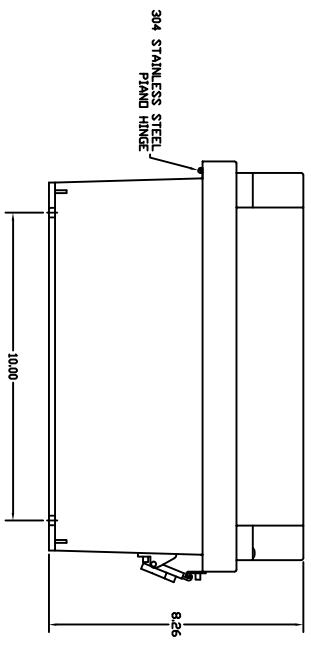
RIGHT SIDE VIEW



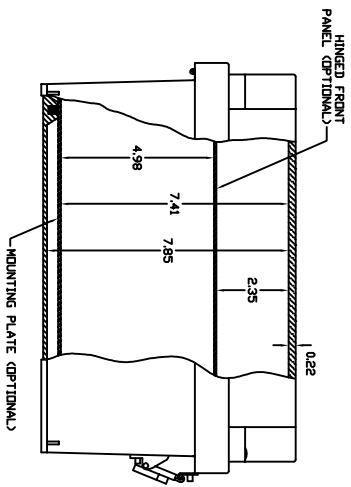
FRONT VIEW—COVER REMOVED



END VIEW



SECTION A-A



- NOTES:**
1. ENCLOSURE MATERIAL MADE OF GRAY (RAL 7036) HOT MOLDED FIBERGLASS REINFORCED POLYESTER.
 2. UL LISTED PER STD. 508, FILE# E54315)
 3. CSA CERTIFIED PER STD. C222 ND. 94, (FILE# LR36508)
 4. NEMA RATED TYPE 3, 3R, 3S, 4, 4X12 AND 13.
 5. IEC 529 RATED IP 68.
 6. RESISTANT TO TEMPERATURES UP TO 150 DEG C.
 7. SELF EXTINGUISHING AND HALOGEN FREE.
 8. ACCESSORIES INCLUDING: BACK PANELS, HINGEABLE FRONT PLATES, HINGED COVERS, PRINT POCKET, LATCHES, WINDOWS, AND VENTILATORS.
 9. CABINETS ARE MAINTENANCE FREE AND CORROSION RESISTANT.

| | | | |
|---|----------------|--|---------------|
| VINCICKER ENCLOSURE SYSTEMS LTD. 156 & 200 JONES & JONES 50 WEST STALE BRIDGES | | VINCICKER PART# RVAB1412HWLL2 | |
| DRAWN: GERRI O'NEILL CHECKED: [Signature] DATE: 02/22/04 | DATE: 02/22/04 | REV: 1 FROM NO.: [Signature] PART NO.: RVAB1412HWLL2 | SHEET: 1 OF 1 |

| ZONE | REV | DESCRIPTION | DATE | APPROVED |
|------|-----|--------------------------|------|----------|
| | | FRONT VIEW—COVER REMOVED | | |