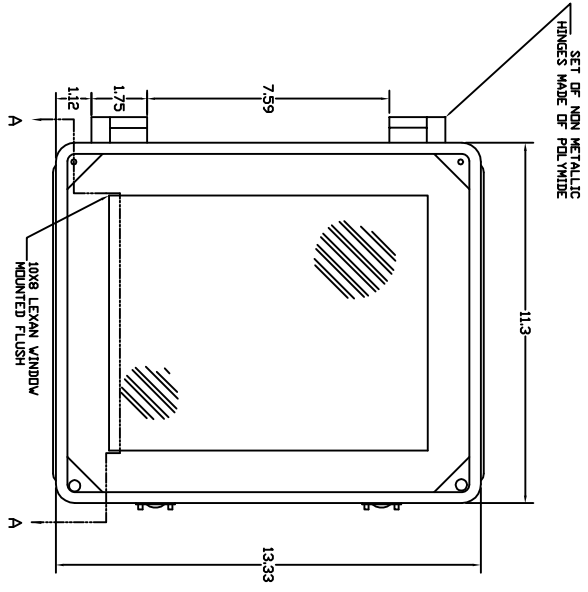
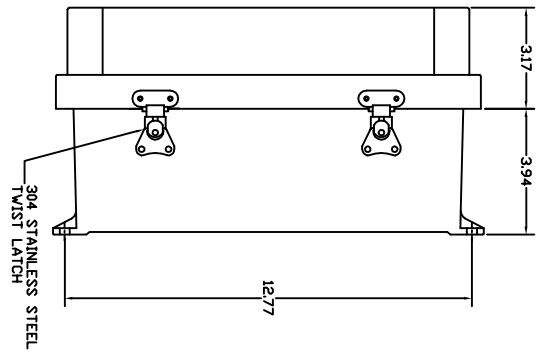


REVISIONS			DATE	APPROVED
ZONE	REV	DESCRIPTION		

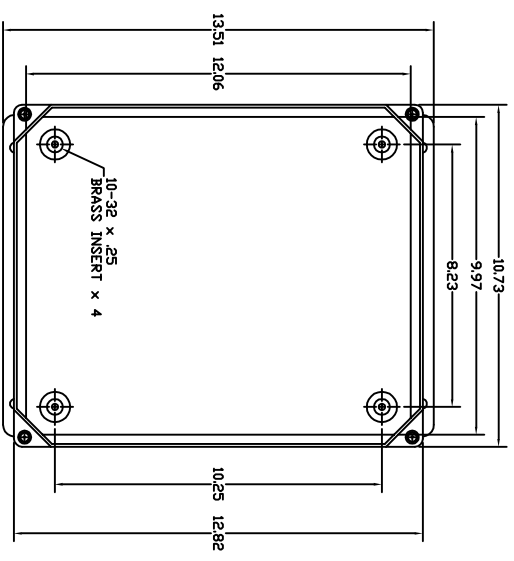
FRONT VIEW



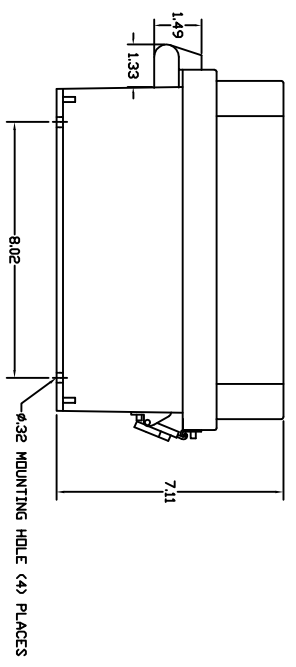
RIGHT SIDE VIEW



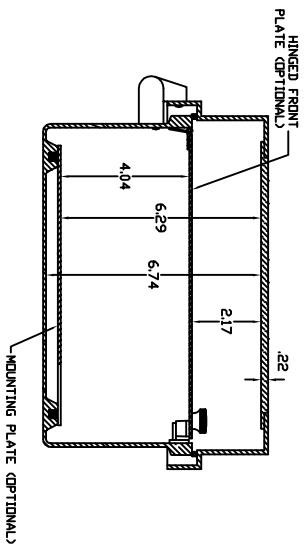
FRONT VIEW-COVER REMOVED



END VIEW



SECTION A-A



- NOTES:
- ENCLOSURE MATERIAL MADE OF GRAY (RAL 7096) HOT MOLDED FIBERGLASS REINFORCED POLYESTER.
 - U.L. LISTED PER STD. 508. (FILE# ES4315)
 - CSA CERTIFIED PER STD. C22.2 NO. 94. (FILE# LR36508)
 - NEMA RATED TYPE 3, 3R, 3S, 4, 4X, 12 AND 13.
 - IEC 529 RATED IP 68.
 - TEMPERATURE RANGERS FROM -50 DEG C TO 150 DEG C.
 - SELF EXTINGUISHING AND HALOGEN FREE.
 - ACCESSORIES INCLUDE: BACK PANEL(S), DEAD FRONT PANEL(S), HINGED FRONT PLATES, HINGED COVERS, PRINT POCKETS, LATCHES, WINDOWS AND VENTILATORS.
 - CABINETS ARE MAINTENANCE FREE AND CORROSION RESISTANT.

UNLESS OTHERWISE SPECIFIED DIMENSIONS ARE IN INCHES DECIMALS & FRACTIONS DO NOT SCALE DRAWING

DATE: 02/21/04

DRAWN BY: KEITH CHAPMAN

CHECKED BY: [Signature]

DESIGN BY: [Signature]

SCALE: FULL

SHEET: 0

REVISIONS: 0

WNCCKIER ENCLOSURE SYSTEMS LTD.

RVJ SERIES ENCLOSURE

WNCCKIER PART# RVJB1210NHLL2

DWG NO. RVJB1210NHLL2

THIS DRAWING IS THE PROPRIETARY AND CONFIDENTIAL PROPERTY OF WNCCKIER ENCLOSURE SYSTEMS, AND SHALL NOT BE REPRODUCED OR DISCLOSED TO OTHERS WITHOUT THE WRITTEN PERMISSION OF WNCCKIER ENCLOSURE SYSTEMS INC.