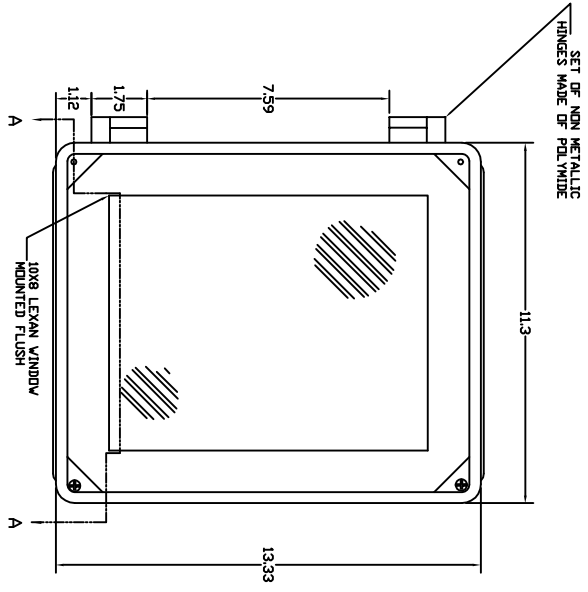
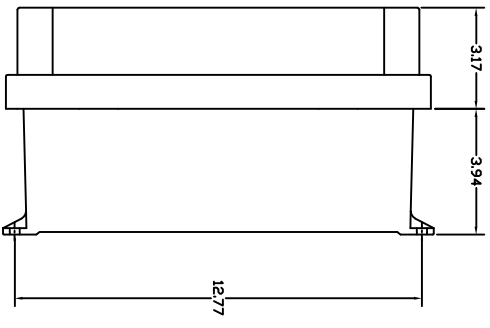


REVISIONS			DATE	APPROVED
ZONE	REV	DESCRIPTION		

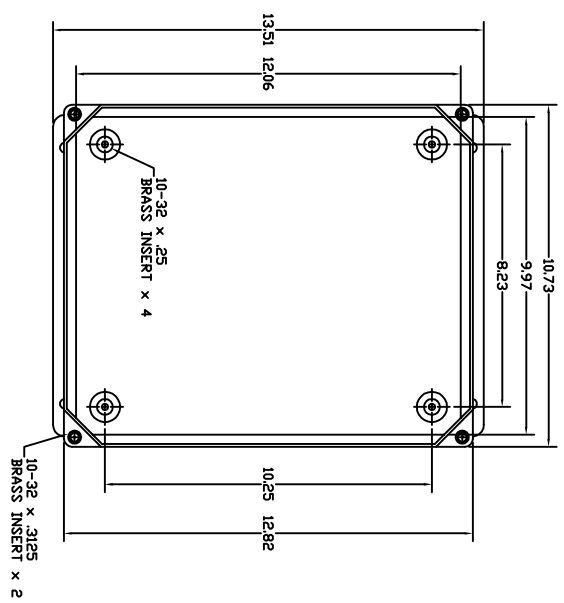
FRONT VIEW



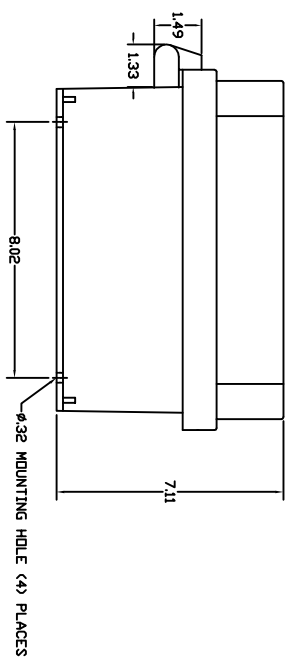
RIGHT SIDE VIEW



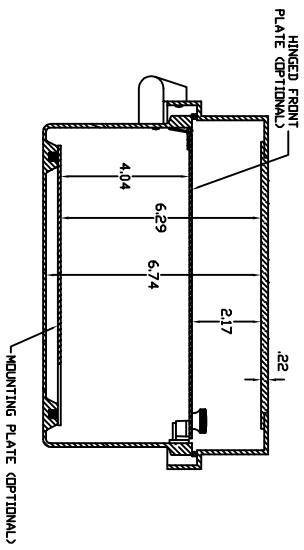
FRONT VIEW-COVER REMOVED



END VIEW



SECTION A-A



- NOTES:
1. ENCLOSURE MATERIAL MADE OF GRAY (RAL 7036) HOT MOLDED FIBERGLASS REINFORCED POLYESTER.
  2. U.L. LISTED PER STD. 508. (FILE# ES4315)
  3. CSA CERTIFIED PER STD. C222 NO. 94. (FILE# LR36508)
  4. NEMA RATED TYPE 3, 3R, 3S, 4, 4X, 12 AND 13.
  5. IEC 529 RATED IP 68.
  6. TEMPERATURE RANGES FROM -50 DEG C TO 150 DEG C.
  7. SELF EXTINGUISHING AND HALOGEN FREE.
  8. ACCESSORIES INCLUDE: BACK PANEL'S, DEAD FRONT PANEL'S, HINGED FRONT PLATES, HINGED COVERS, PRINT POCKETS, LATCHES, WINDOWS, AND VENTILATORS.
  9. CABINETS ARE MAINTENANCE FREE AND CORROSION RESISTANT.

THIS DRAWING IS THE CONFIDENTIAL AND PROPRIETARY PROPERTY OF WYCKLER ENCLOSURE SYSTEMS, AND SHALL NOT BE REPRODUCED OR INCORPORATED TO OTHERS WITHOUT THE WRITTEN PERMISSION OF WYCKLER ENCLOSURE SYSTEMS INC.

UNLESS OTHERWISE SPECIFIED DIMENSIONS ARE IN INCHES		WYCKLER ENCLOSURE SYSTEMS LTD.	
TOLERANCES UNLESS OTHERWISE SPECIFIED		RWI SERIES ENCLOSURE	
DRAWN: KEITH CHAPMAN		WYCKLER PART# RWJ81210NHV	
CHECKED: [ ]		DWG NO. RWJ81210NHV	
DESIGN: [ ]		SCALE: FULL	
		SHEET	
		REV 0	