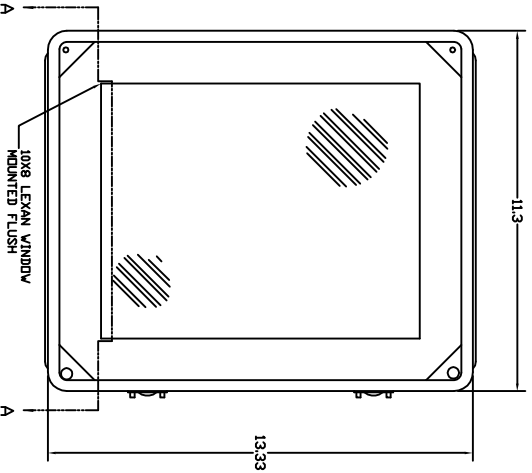
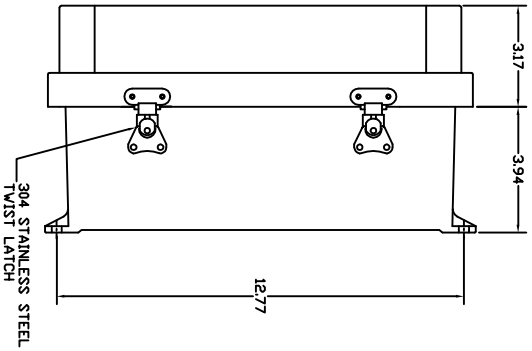


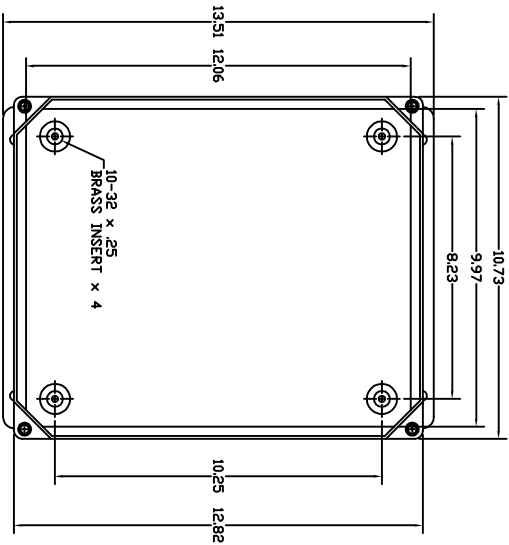
FRONT VIEW



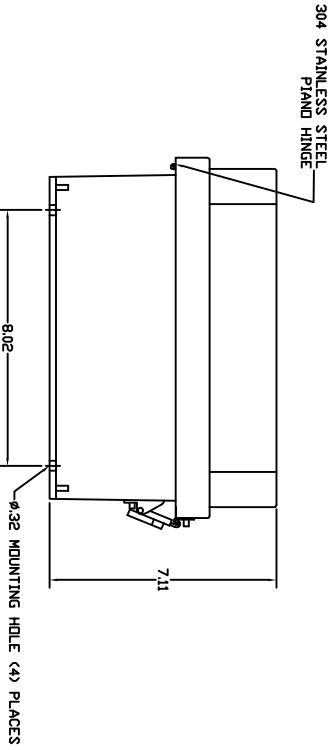
RIGHT SIDE VIEW



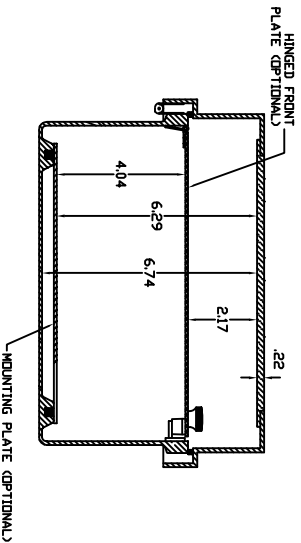
FRONT VIEW-COVER REMOVED



END VIEW



SECTION A-A



- NOTES:
- ENCLOSURE MATERIAL MADE OF GRAY (RAL 7096) HOT MOLDED FIBERGLASS REINFORCED POLYESTER.
 - U.L. LISTED PER STD. 508. (FILE# ES4315)
 - CSA CERTIFIED PER STD. C22.2 NO. 94. (FILE# LR36508)
 - NEMA RATED TYPE 3, 3R, 3S, 4, 4X, 12 AND 13.
 - IEC 529 RATED IP 68.
 - TEMPERATURE RANGES FROM -50 DEG C TO 150 DEG C.
 - SELF EXTINGUISHING AND HALOGEN FREE.
 - ACCESSORIES INCLUDE: BACK PANEL(S), DEAD FRONT PANEL(S), HINGED FRONT PLATES, HINGED COVERS, PRINT POCKETS, LATCHES, WINDOWS, AND VENTILATORS.
 - CABINETS ARE MAINTENANCE FREE AND CORROSION RESISTANT.

THIS DRAWING IS THE PROPRIETARY AND CONFIDENTIAL INFORMATION OF WYCKLER ENCLOSEURE SYSTEMS, AND SHALL NOT BE REPRODUCED OR DISCLOSED TO OTHERS WITHOUT THE WRITTEN PERMISSION OF WYCKLER ENCLOSEURE SYSTEMS, INC.

UNLESS OTHERWISE SPECIFIED, DIMENSIONS ARE IN INCHES DECIMALS & FRACTIONS DO NOT SCALE DRAWING		WYCKLER ENCLOSEURE SYSTEMS, LTD.	
DRAWN: KEITH CHAPMAN		RVJ SERIES ENCLOSURE	
CHECKED: [Signature]		WYCKLER PART# RVJB1210HWLL2	
DATE: 02/21/04		DWG NO. RVJB1210HWLL2	
DESIGN	SCALE: FULL	SHEET	REV 0