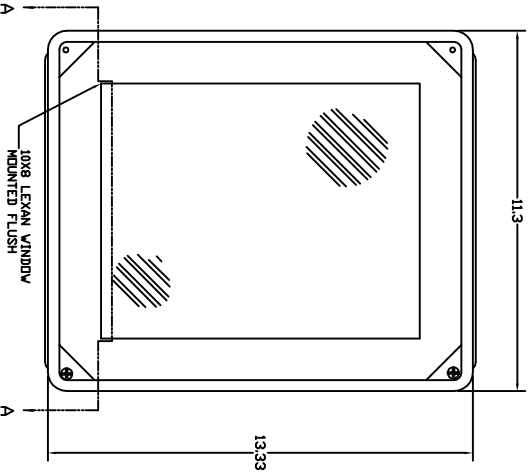
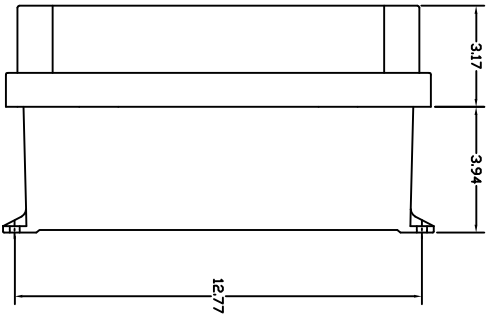


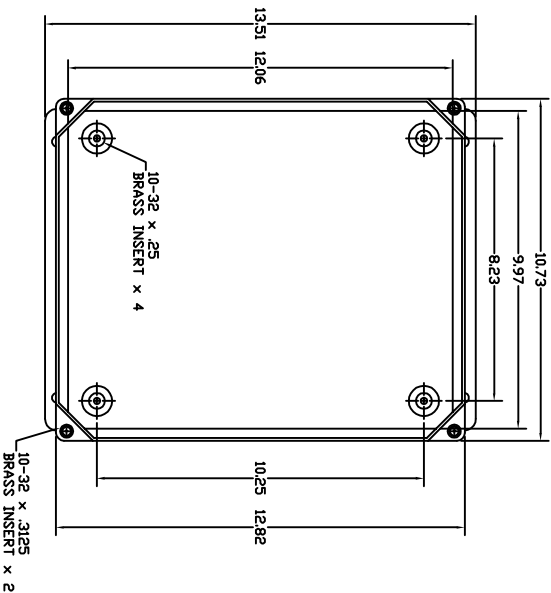
FRONT VIEW



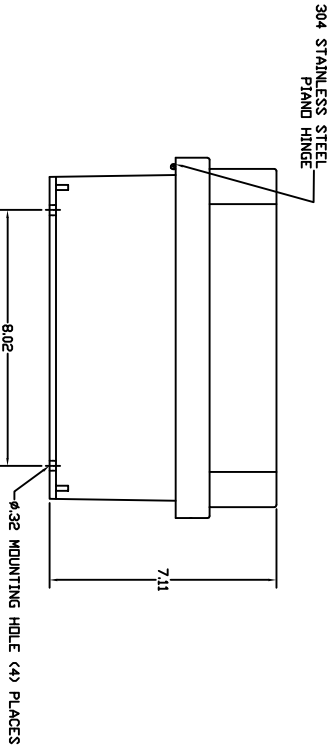
RIGHT SIDE VIEW



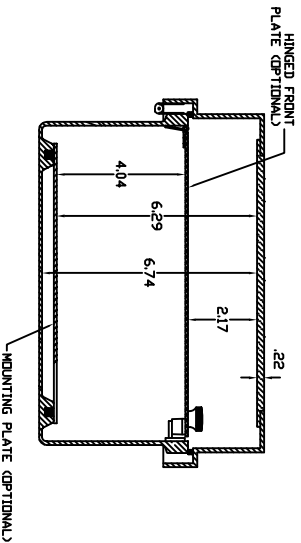
FRONT VIEW-COVER REMOVED



END VIEW



SECTION A-A



- NOTES:
1. ENCLOSURE MATERIAL MADE OF GRAY (RAL 7096) HOT MOLDED FIBERGLASS REINFORCED POLYESTER.
 2. U.L. LISTED PER STD. 508. (FILE# ES4315)
 3. CSA CERTIFIED PER STD. C222 NO. 94. (FILE# LR36508)
 4. NEMA RATED TYPE 3, 3R, 3S, 4, 4X, 12 AND 13.
 5. IEC 529 RATED IP 68.
 6. TEMPERATURE RANGES FROM -50 DEG C TO 150 DEG C.
 7. SELF EXTINGUISHING AND HALOGEN FREE.
 8. ACCESSORIES INCLUDE: BACK PANEL(S), DEAD FRONT PANEL(S), HINGED FRONT PLATES, HINGED COVERS, PRINT POCKETS, LATCHES, WINDOWS, AND VENTILATORS.
 9. CABINETS ARE MAINTENANCE FREE AND CORROSION RESISTANT.

THIS DRAWING IS THE PROPRIETARY AND CONFIDENTIAL INFORMATION OF WNCOCKER SYSTEMS, INC. AND SHALL NOT BE REPRODUCED OR DISCLOSED TO OTHERS WITHOUT THE WRITTEN PERMISSION OF WNCOCKER SYSTEMS, INC.

UNLESS OTHERWISE SPECIFIED DIMENSIONS ARE IN INCHES DECIMALS .001		WNCOCKER ENCLOSURE SYSTEMS LTD.	
DRAWN: KEITH CHAPMAN		RWJ SERIES ENCLOSURE	
DATE: 02/21/04		WNCOCKER PART# RWJ81210HW	
CHECKED:	SCALE: FULL	DWG NO.:	REV: 0
DESIGN:		RWJ81210HW	
			SHEET