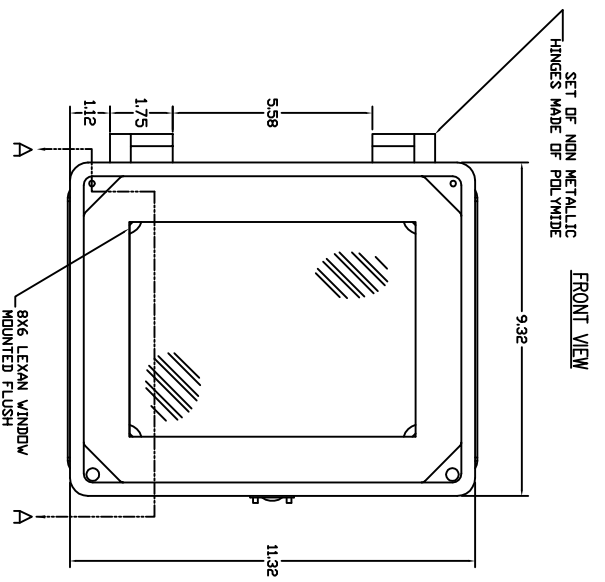
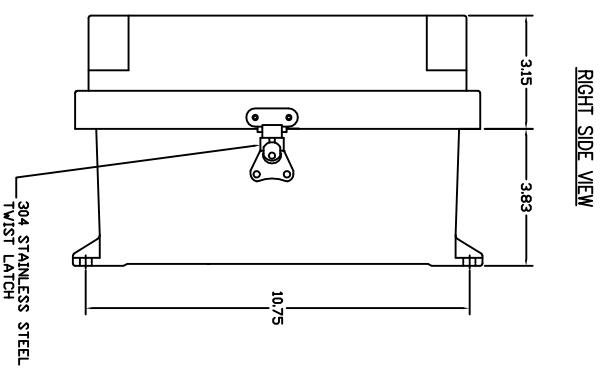


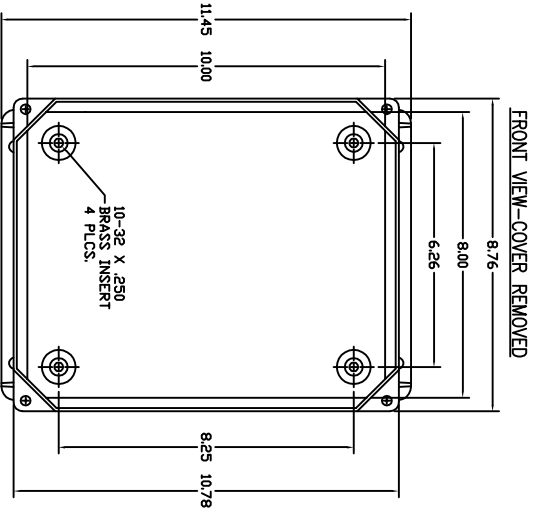
REVISIONS		DATE	APPROVED
ZONE	REV	DESCRIPTION	



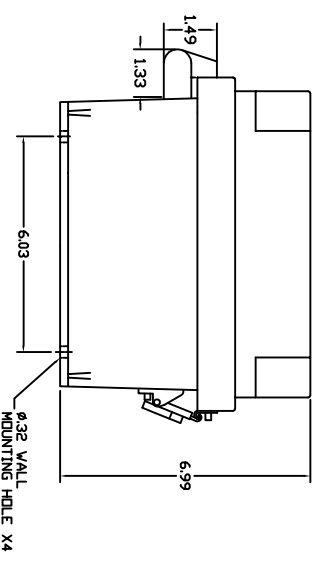
FRONT VIEW



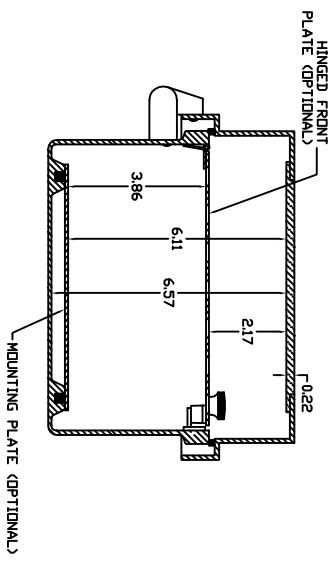
RIGHT SIDE VIEW



FRONT VIEW-COVER REMOVED



END VIEW



SECTION A-A

- NOTES:
- ENCLOSURE MATERIAL MADE OF GRAY (RAL 7036) HOT MOLDED, FIBERGLASS REINFORCED POLYESTER.
 - U.L. LISTED PER STD. 508 (FILE# E54315)
 - CSA CERTIFIED PER STD. C22.2 NO. 94 (FILE# LR36508)
 - NEMA RATED TYPE 3R, 3S, 4, 4X, 12 AND 13.
 - IP65-70 RATED
 - RESISTANT TO TEMPERATURES UP TO 150 DEG. C.
 - SELF EXTINGUISHING AND HALOGEN FREE.
 - ACCESSORIES INCLUDING: BACK PANELS, HINGE ABLE FRONT PLATES, HINGED COVERS, PRINT LOCKER, LATCHES, WINDOWS AND VENTILATORS.
 - CABINETS ARE MAINTENANCE FREE AND CORROSION RESISTANT.

WVCKIER SYSTEMS LTD. WV SERIES ENCLOSURE WVCKIER PART# RV4B1008NHVLL1		DATE: 2/19/01 DRAWN: JONAS CHECKED: JONAS DESIGN: JONAS	DATE: 2/19/01 DRAWN: JONAS CHECKED: JONAS DESIGN: JONAS	DATE: 2/19/01 DRAWN: JONAS CHECKED: JONAS DESIGN: JONAS	DATE: 2/19/01 DRAWN: JONAS CHECKED: JONAS DESIGN: JONAS
--	--	--	--	--	--