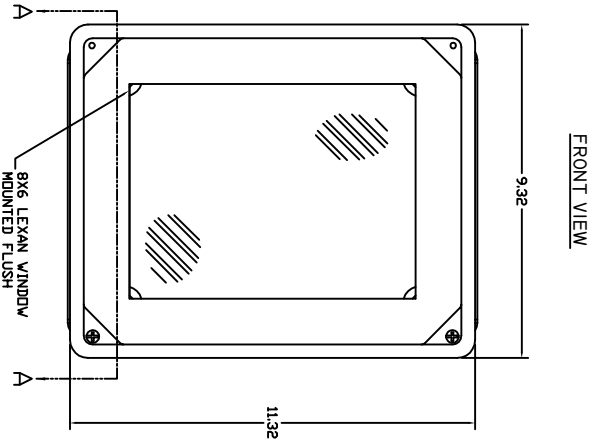
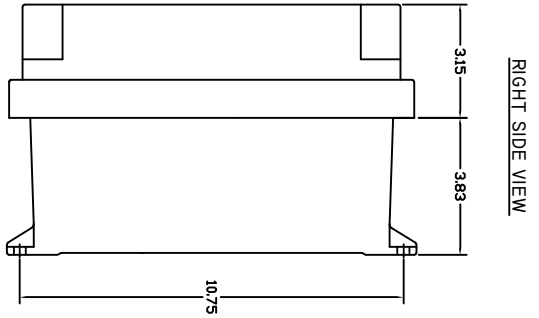


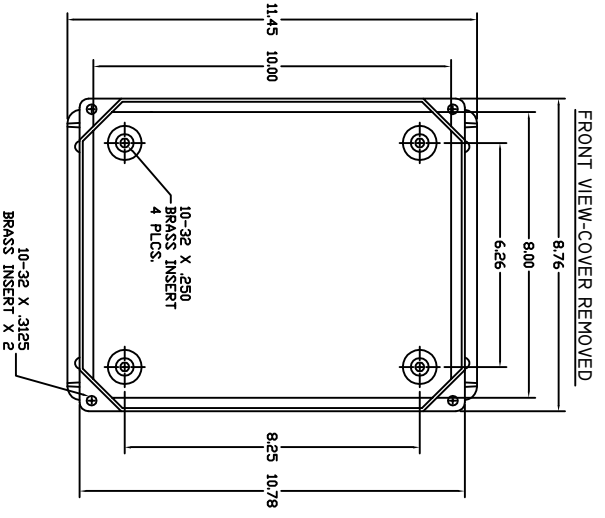
REVISIONS				
ZONE	REV	DESCRIPTION	DATE	APPROVED



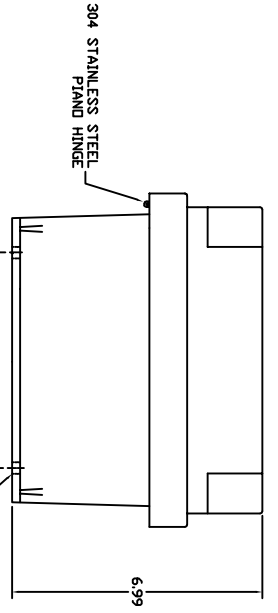
FRONT VIEW



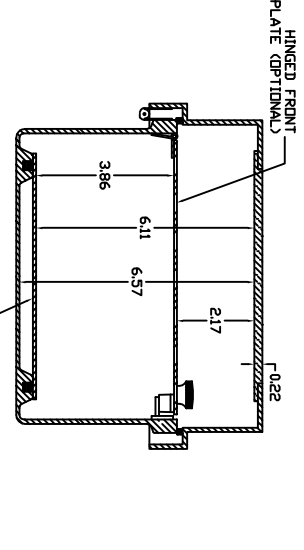
RIGHT SIDE VIEW



FRONT VIEW-COVER REMOVED



END VIEW



SECTION A-A

- NOTES:
- ENCLOSURE MATERIAL MADE OF GRAY (RAL 7036) HOT MOLDED FIBERGLASS REINFORCED POLYESTER.
 - U.L. LISTED PER STD. 508. (FILE# E54315)
 - CSA CERTIFIED PER STD. C22.2 NO. 94. (FILE# LR36508)
 - NEMA RATED TYPE 3, 3R, 3S, 4, 4X12 AND 13.
 - IEC 529 RATED IP 00
 - RESISTANT TO TEMPERATURES UP TO 150 DEG C.
 - SELF EXTINGUISHING AND HALOGEN FREE.
 - ACCESSORIES INCLUDE: BACK PANELS, HINGE ABLE FRONT PLATES, HINGED COVERS, PRINT POCKET.
 - CABINETS ARE MAINTENANCE FREE AND CORROSION RESISTANT.

UNLESS OTHERWISE SPECIFIED
 ALL DIMENSIONS ARE IN MILLIMETERS
 DIMENSIONS IN PARENTHESES ARE IN INCHES
 TOLERANCES UNLESS OTHERWISE SPECIFIED

WYNNCKIER
 ENCLOSURE SYSTEMS LTD.S.

VJ SERIES ENCLOSURE
 WYNNCKIER PART # RVJBI008HW

DESIGNED	DATE	SCALE	REV
CHEN	2/19/01	D	1
CHECKED	DATE	SCALE	REV

RVJBI008HW