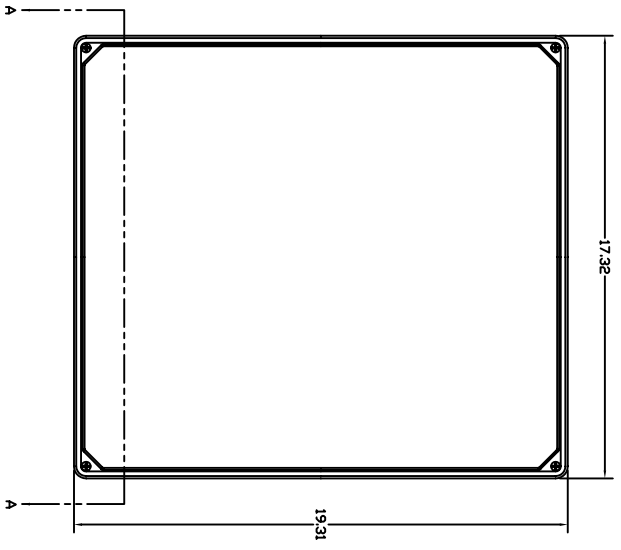
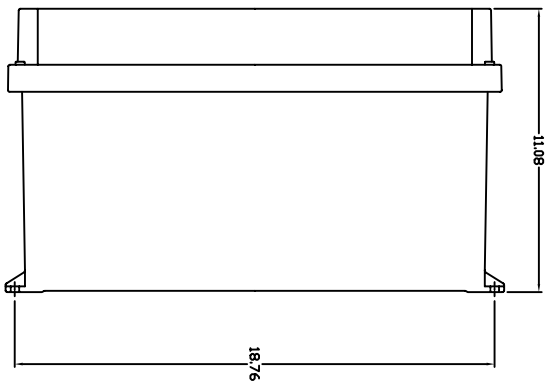


REVISIONS				
ZONE	REV	DESCRIPTION	DATE	APPROVED

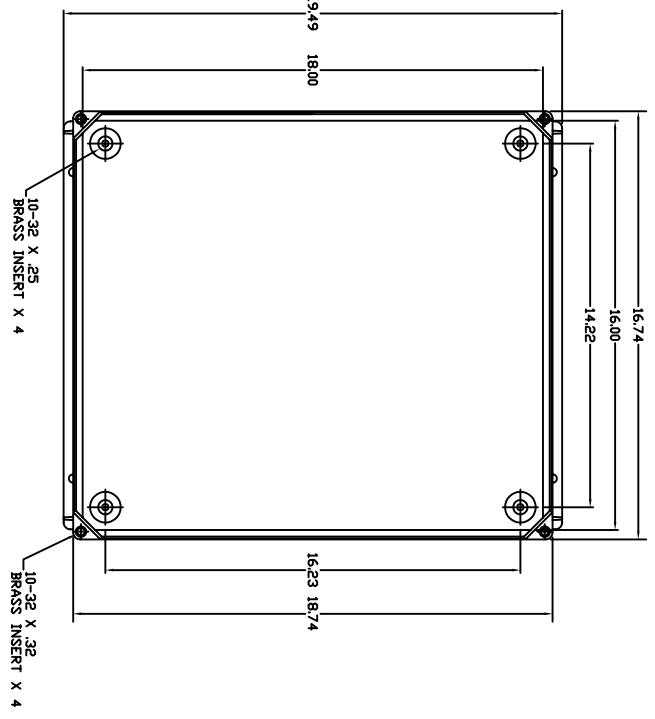
FRONT VIEW



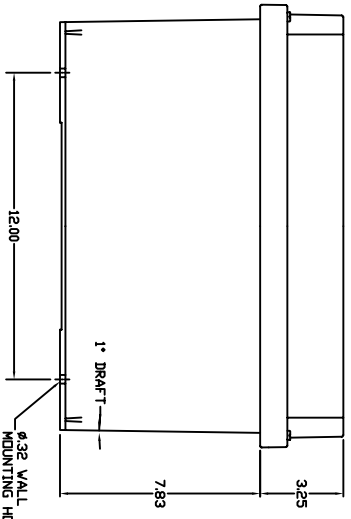
RIGHT SIDE VIEW



FRONT VIEW-COVER REMOVED

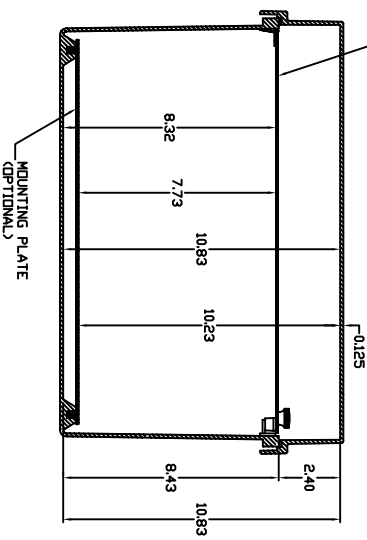


END VIEW



FRONT HINGE PANEL (OPTIONAL)

SECTION A-A



- NOTES:
1. ENCLOSURE MATERIAL MADE OF GRAY (RAL 7035) HOT MOLDED FIBERGLASS REINFORCED POLYESTER.
 2. U.L. LISTED PER STD. 508. (FILE# E54315)
 3. CSA CERTIFIED PER STD. C22.2 NO. 94. (FILE# LR36508)
 4. NEMA RATED TYPE 3, 3R, 3S, 4, 4X, 12 AND 13.
 5. IEC 529 RATED IP 66 FROM -50 DEG C TO 150 DEG C.
 6. TEMPERATURE RANGES AND HALOGEN FREE.
 7. SELF EXTINGUISHING AND HALOGEN FREE.
 8. ACCESSORIES INCLUDE: BACK PANEL'S DEAD FRONT PANELS, HINGED FRONT PLATES, HINGED DOVERS, PRINT PROTECTS, LATCHES, WINDOWS, AND VENTILATORS.
 9. CABINETS ARE MAINTENANCE FREE AND CORROSION RESISTANT.

UNLESS OTHERWISE SPECIFIED:
DIMENSIONS IN INCHES
TOLERANCES
DIMENSIONS 3/16 3/32 .0004 & .000
DO NOT SCALE DRAWING DATE: 5/11/16

DESIGN	CHECKED	DRAWN	DATE	SCALE	SHEET	REV
		I. SERRANO	5/11/16	FULL	0	0

UNLESS OTHERWISE SPECIFIED:
DIMENSIONS IN INCHES
TOLERANCES
DIMENSIONS 3/16 3/32 .0004 & .000
DO NOT SCALE DRAWING DATE: 5/11/16

YVYCKIER
ENCLOSURE SYSTEMS, INC.
YVYCKIER PART# RVJ1816W
RVJ1816W
0