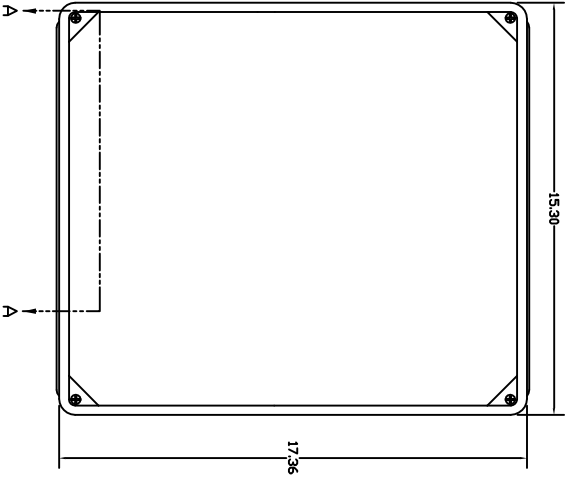
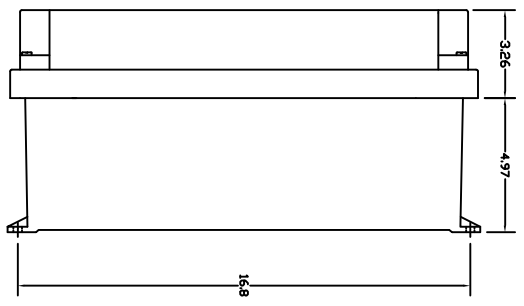


REVISIONS		DATE	APPROVED
ZONE	REV	DESCRIPTION	

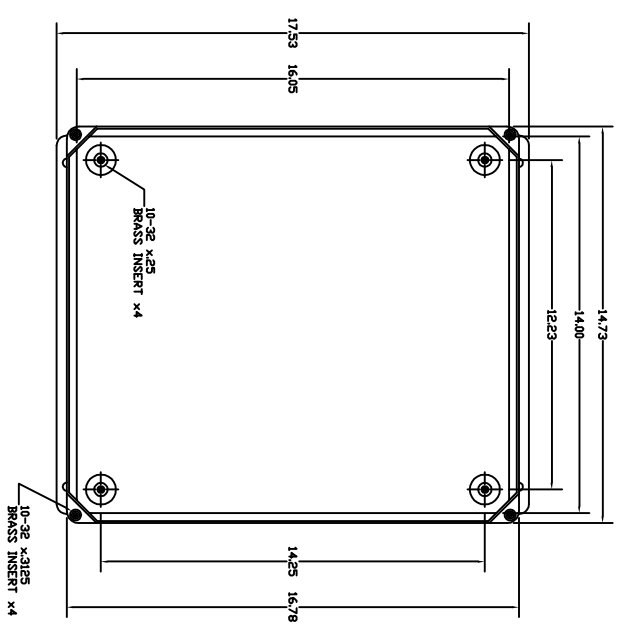
FRONT VIEW



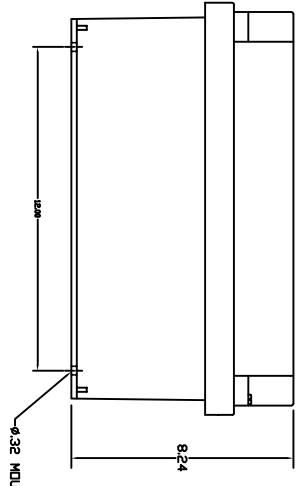
RIGHT SIDE VIEW



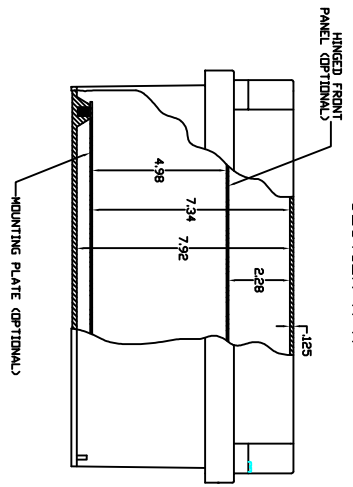
FRONT VIEW COVER REMOVED



END VIEW



SECTION A-A



- NOTES:**
1. ENCLOSURE MATERIAL MADE OF GRAY (RAL 7036)
 2. HOT MOLDED FIBERGLASS REINFORCED POLYESTER
 3. CSA CERTIFIED PER STD. C22.2 NO. 597.1 (UL# I.R36908)
 4. NEMA RATED TYPE 3, 3R, 3S, 4, 4X, 12 AND 13.
 5. IEC 529 RATED IP 68.
 6. TEMPERATURE RANGES FROM -50 DEG C TO 150 DEG C.
 7. ACCESSORIES INCLUDE: BACK PANEL, HINGED FRONT PANELS, HINGED FRONT PLATES, HINGED COVERS, PRINT POCKETS, LATCHES, WINDOWS, AND VENTILATORS.
 8. CABINETS ARE MAINTENANCE FREE AND CORROSION RESISTANT.

VINCICKLER ENCLOSURE SYSTEMS LTD.	
VJ SERIES ENCLOSURE VINCICKLER PART # RVJ1614W	REV 0 DATE 11/14/14
DRAWN BY: M/2704 CHECKED BY: M/2704 DESIGNED BY: M/2704	D DATE 11/14/14