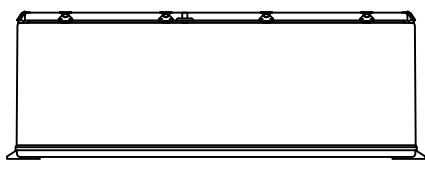
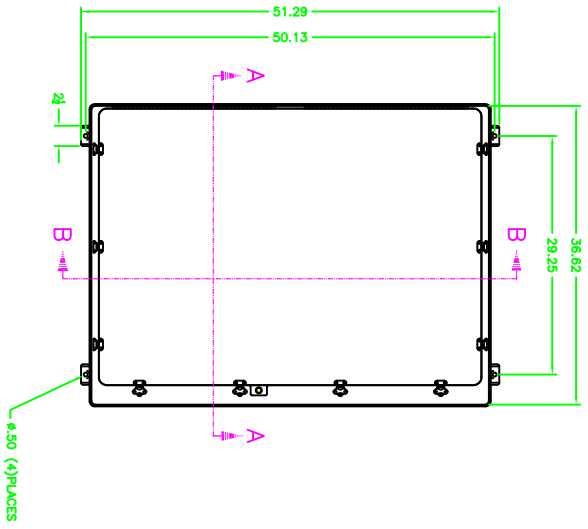
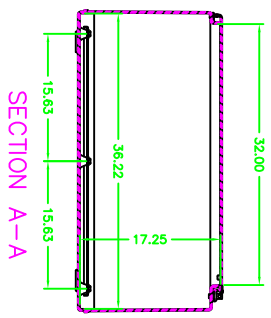
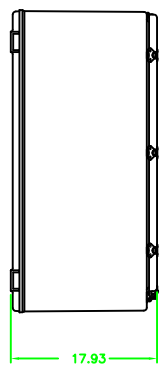
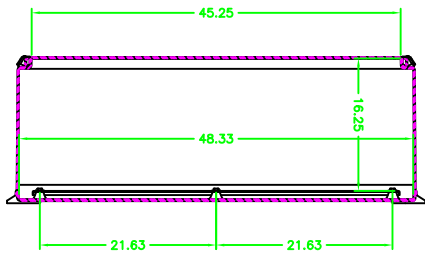


23392



SECTION B-B



SECTION A-A

1. Scale drawings only. All dimensions are in inches unless otherwise specified. 2. All dimensions are to the centerline unless otherwise specified. 3. All dimensions are to the centerline unless otherwise specified. 4. All dimensions are to the centerline unless otherwise specified. 5. All dimensions are to the centerline unless otherwise specified. 6. All dimensions are to the centerline unless otherwise specified. 7. All dimensions are to the centerline unless otherwise specified. 8. All dimensions are to the centerline unless otherwise specified. 9. All dimensions are to the centerline unless otherwise specified. 10. All dimensions are to the centerline unless otherwise specified.	
ADAPTECH A SCOTT KATZ COMPANY	
NKX-FG-483616CH REVISION B CLOSE PAK WITH OPTIMAL NKX PAK	NKX-FG-483616CH TU 2-1-02 1-B D
23392	10F1 A