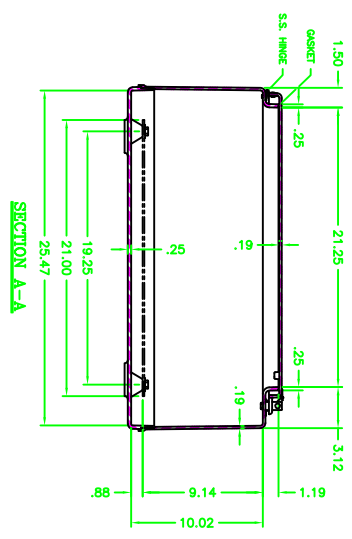
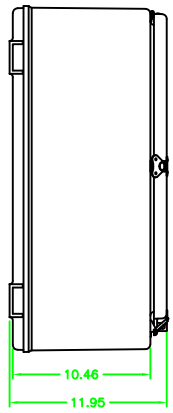
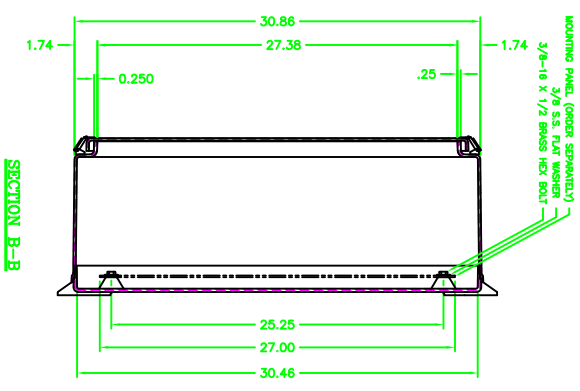
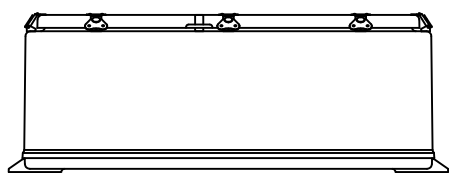
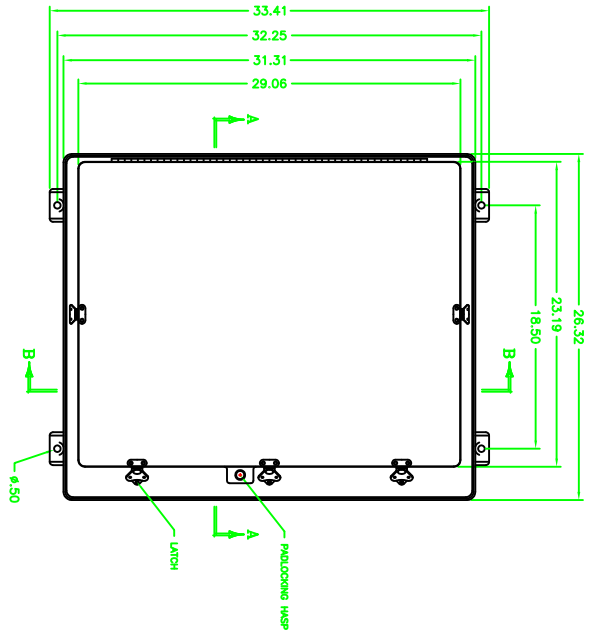


23388



UNCONTROLLED DRAWING

(DATA SUBJECT TO CHANGE WITHOUT NOTICE)

FOR ADDITIONAL HELP CONTACT ENGINEERING@ADALET.com

Xref I:\BORDERS\DSIZE.DWG

MAX-FG-302410CH

23388 10F1 1

FIBERGLASS

CLB

5/3/04

1-5

D

MAX-FG-302410CH