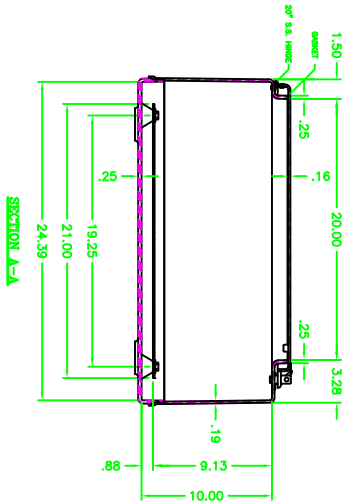
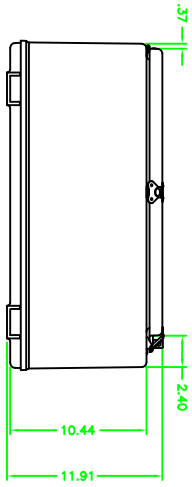
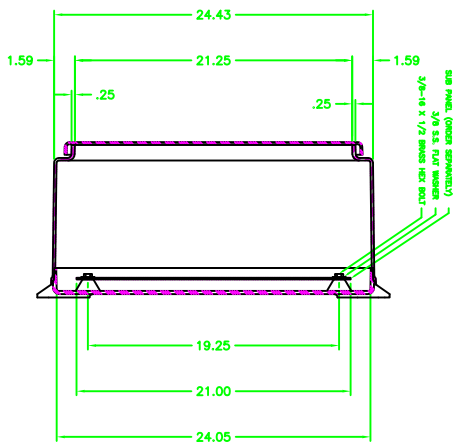
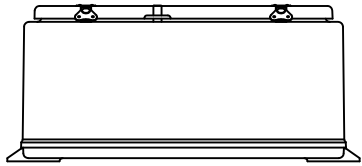
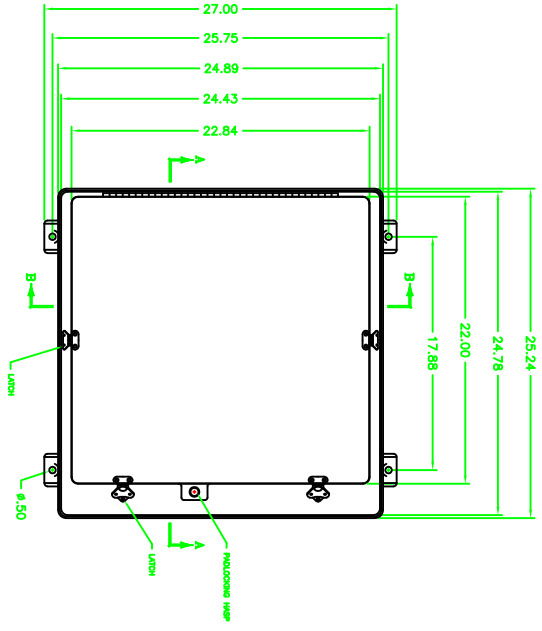


23384



UNCONTROLLED DRAWING

(DATA SUBJECT TO CHANGE WITHOUT NOTICE)

FOR ADDITIONAL HELP CONTACT ENGINEERING@ADALET.com

ADALET 10000 W. 10TH AVENUE CHANDLER, AZ 84918		NAK-FG-242410CH CLR 11/12/08	
EBERGLASS 10000 W. 10TH AVENUE CHANDLER, AZ 84918		1-5 D	
NAK-FG-242410CH		23384 10F1	

DATE	DESCRIPTION	BY	CHK	DATE