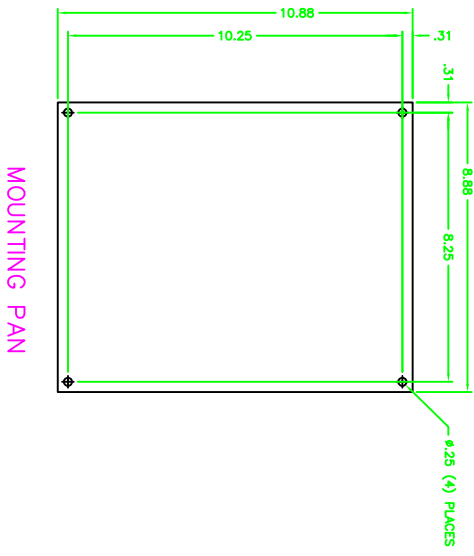
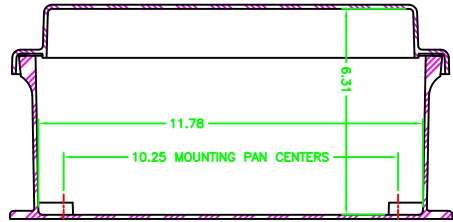
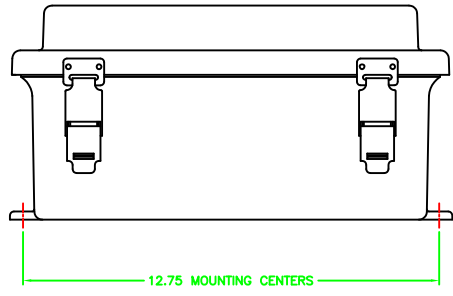
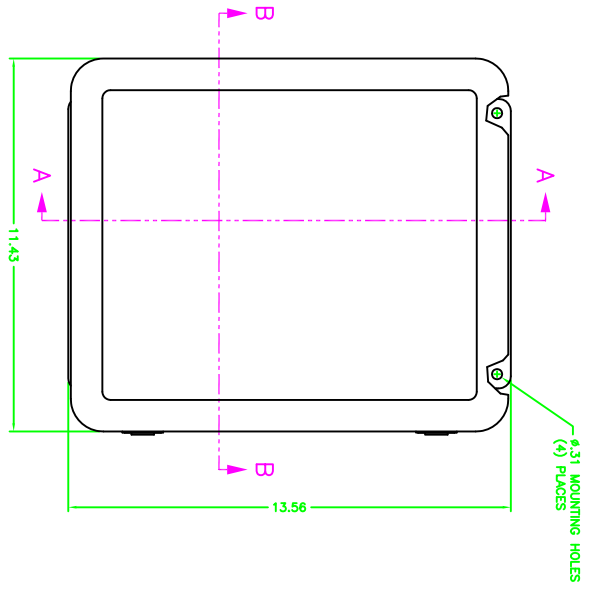
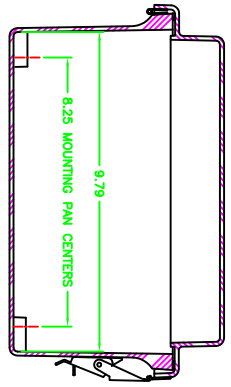
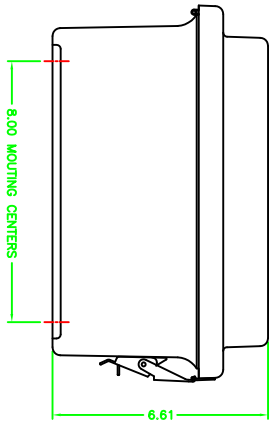


23372



SECTION A-A



SECTION B-B

<p>ADALTEC ADALTEC ELECTRONIC COMPANY</p>		<p>NAK-FG-121006RCHQR RAISED QUICK RELEASE SWITCHES</p>	
<p>DATE: 11/19/05 DRAWN BY: J. J. JONES CHECKED BY: J. J. JONES APPROVED BY: J. J. JONES</p>	<p>DATE: 11/19/05 DRAWN BY: J. J. JONES CHECKED BY: J. J. JONES APPROVED BY: J. J. JONES</p>	<p>DATE: 11/19/05 DRAWN BY: J. J. JONES CHECKED BY: J. J. JONES APPROVED BY: J. J. JONES</p>	<p>DATE: 11/19/05 DRAWN BY: J. J. JONES CHECKED BY: J. J. JONES APPROVED BY: J. J. JONES</p>
<p>NAK-FG-121006RCHQR</p>		<p>23372 10F1</p>	