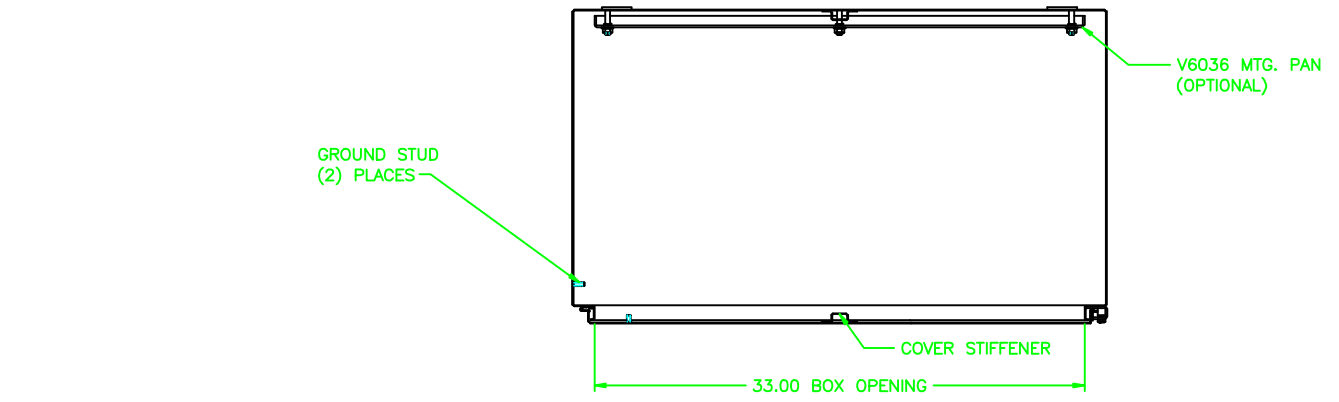


REV	REVISION	BY	BCN	DATE
A	INITIAL RELEASE	CLB		8/15/03

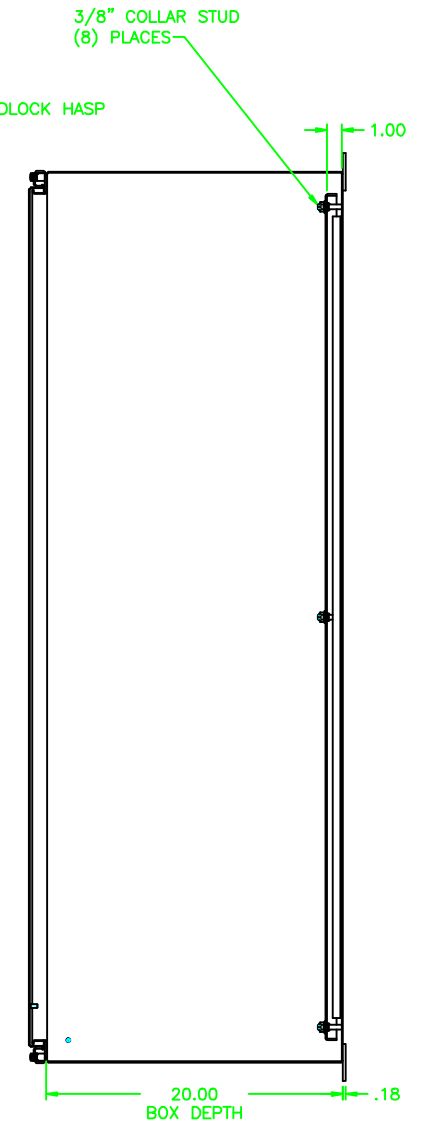
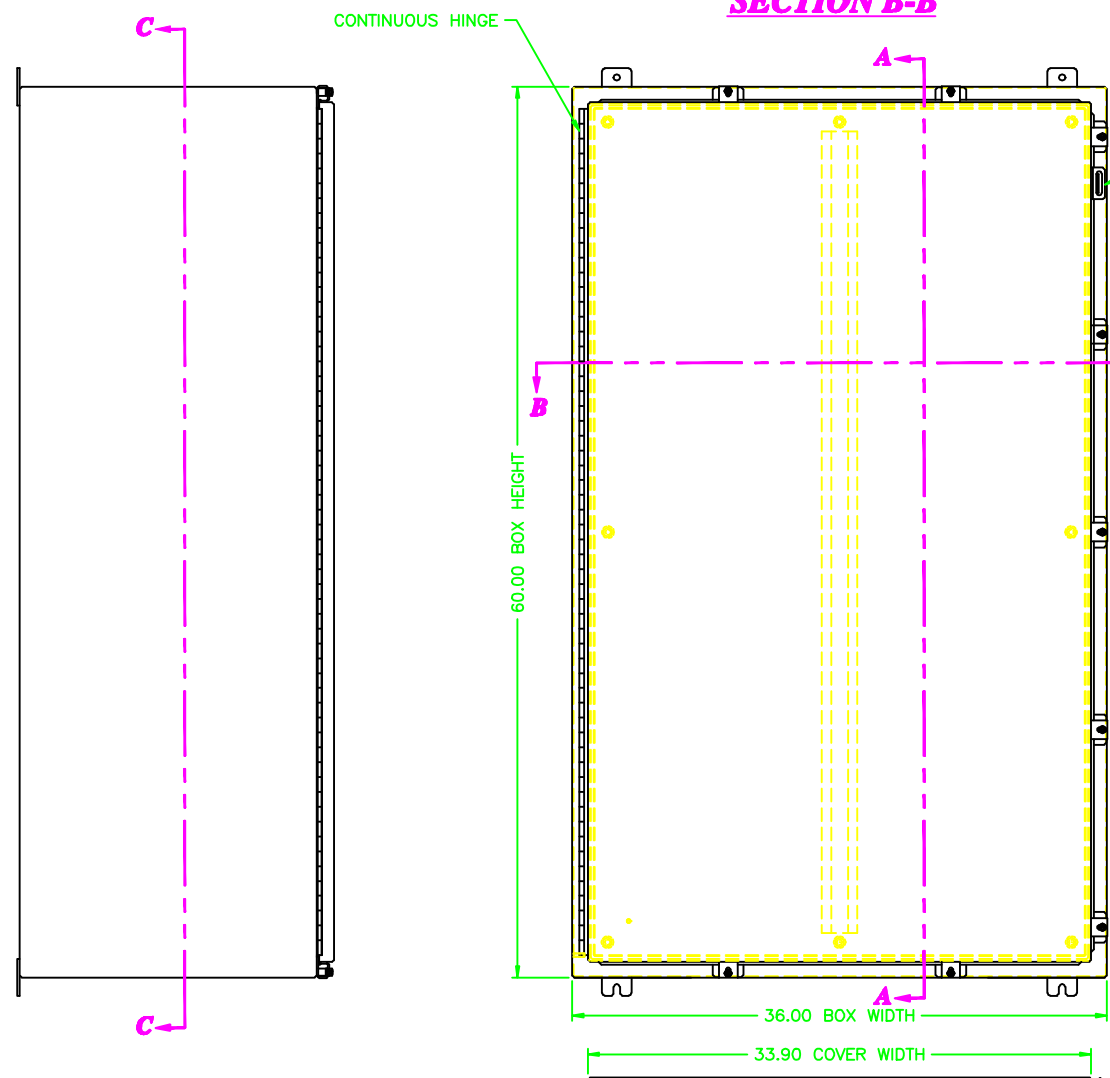
603620

# UNCONTROLLED DRAWING

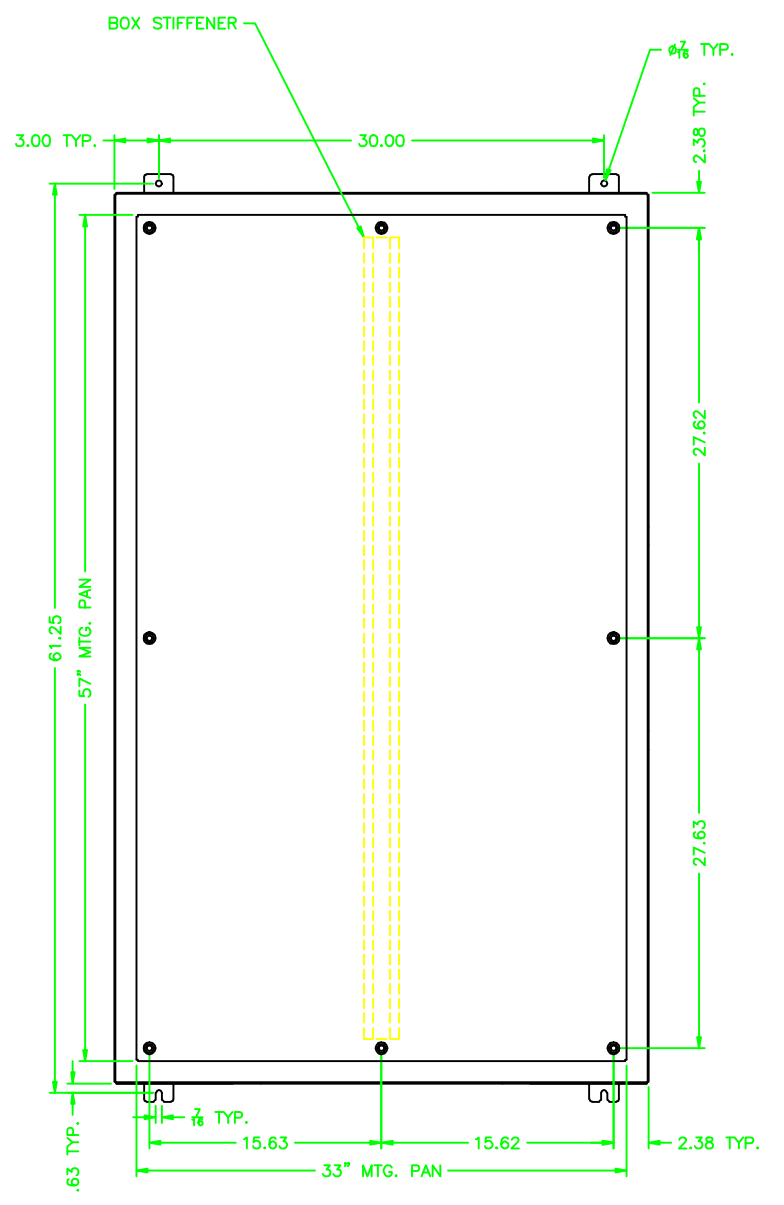
(DATA SUBJECT TO CHANGE WITHOUT NOTICE)  
 FOR ADDITIONAL HELP CONTACT ENGINEERING@ADALET.com



**SECTION B-B**



**SECTION A-A**



**SECTION C-C**

DOOR CLAMP (9) PLACES

ENCLOSURE MATERIAL	CATALOG NUMBER	PART NUMBER
88316L	N4X6-603620	M10286
88304	N4X-603620	M10191

<p>DO NOT SCALE DRAWING</p> <p>UNLESS OTHERWISE SPECIFIED DIMENSIONS ARE IN INCHES.</p> <p>SHEET METAL TOLERANCES NOT OTHERWISE SPECIFIED:</p> <p>FINN ± 1/16"</p> <p>JXX ± .02"</p> <p>JXX ± .010"</p> <p>ANGLES ± 0°-30"</p> <p>INSIDE BEND RADIUS = .040" NOM.</p> <p>WARPAGE = 1/16" PER FOOT</p> <p>ALL WELD SIZES ARE MIN.</p>		<p><b>ADALET</b></p> <p>A SCOTT FETZER COMPANY</p> <p>Enclosure Systems • Cable Accessories</p>		<p>N4-603620 ENCLOSURE ASSEMBLY</p>	
<p>NOTICE TO PERSONS RECEIVING THIS DRAWING: ADALET CLAIMS PROPRIETARY RIGHTS IN THE MATERIALS INCORPORATED HEREIN. THIS DRAWING IS ISSUED IN CONFIDENCE FOR ENGINEERING INFORMATION ONLY AND MAY NOT BE REPRODUCED OR USED TO MANUFACTURE, WITHOUT EXPRESS WRITTEN PERMISSION FROM ADALET TO THE USER.</p>		<p>DRAWN BY: CLB</p> <p>DATE: 8/15/03</p> <p>APP. APPROVAL: [Signature]</p> <p>SCALE: 1=6</p> <p>REV. DATE: D</p>		<p>DWG NO: 603620</p> <p>SHEET: 10F1</p> <p>REV: A</p>	