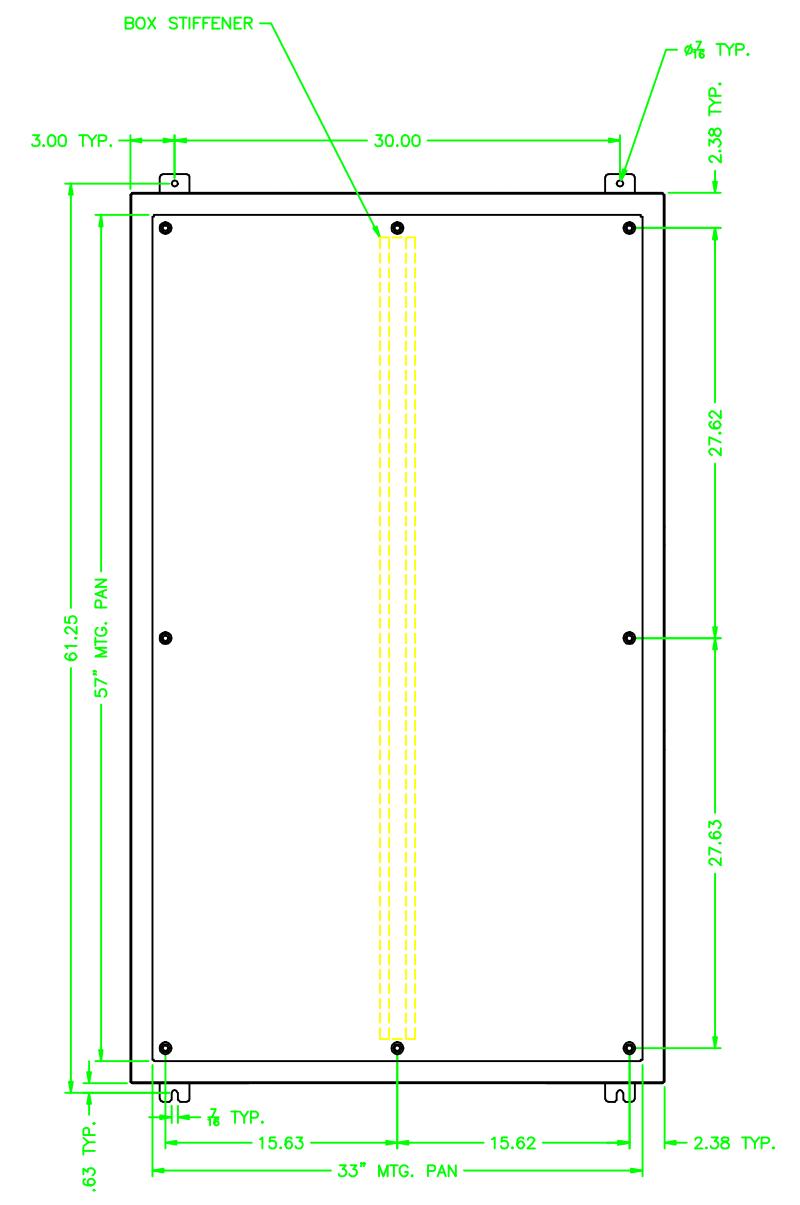
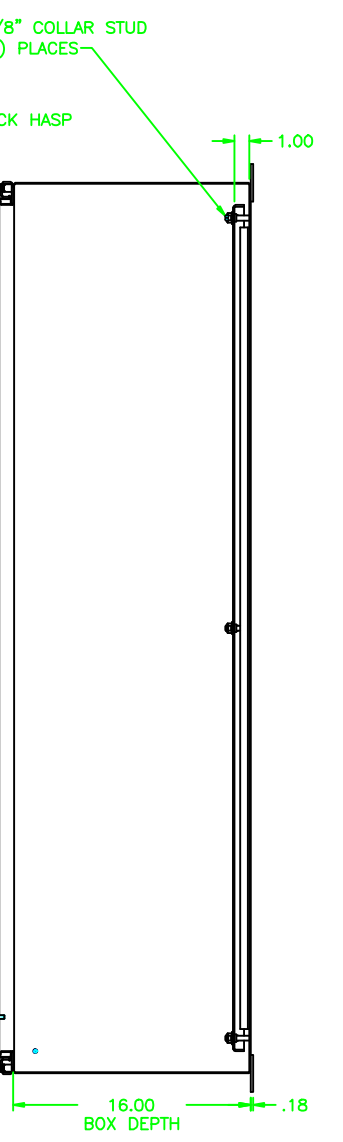
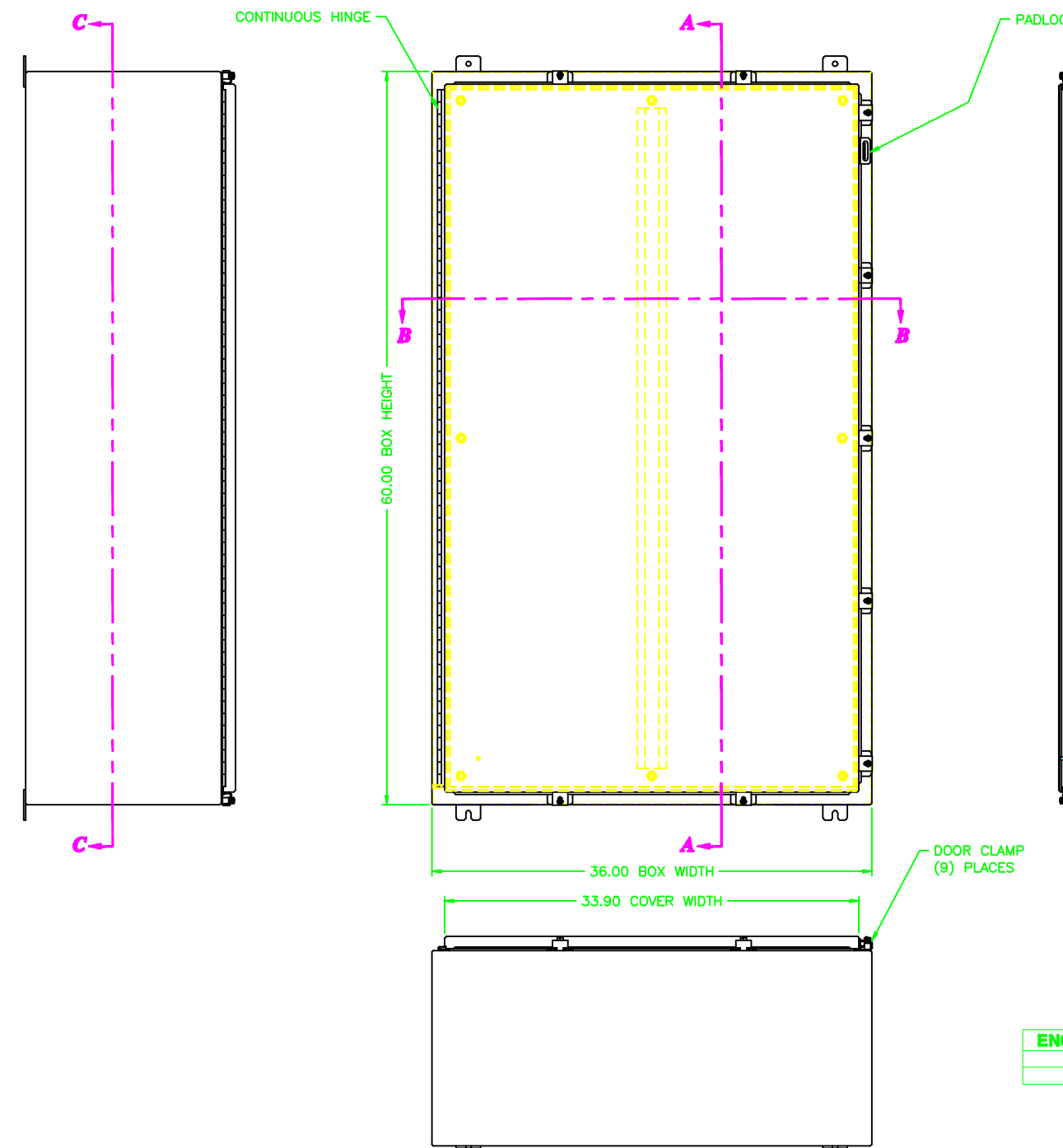
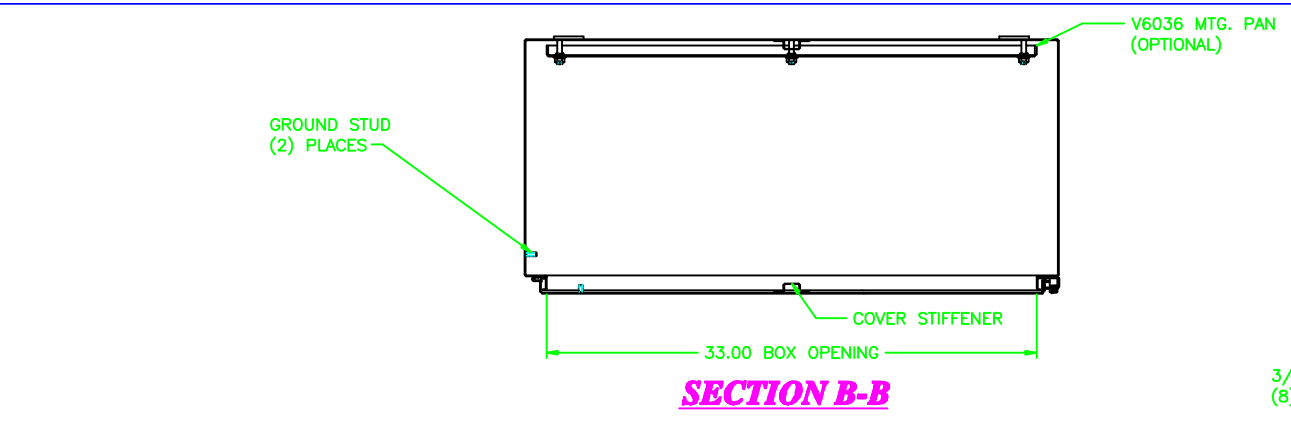


REV	REVISION	BY	BCN	DATE
A	INITIAL RELEASE	CLB		8/15/03

603616

UNCONTROLLED DRAWING

(DATA SUBJECT TO CHANGE WITHOUT NOTICE)
FOR ADDITIONAL HELP CONTACT ENGINEERING@ADALET.com



ENCLOSURE MATERIAL	CATALOG NUMBER	PART NUMBER
88316L	N4X6-603616	M10282
88304	N4X-603616	M10187

<p style="text-align: center;">ADALET A SCOTT FETZER COMPANY Enclosure Systems • Cable Accessories</p>		<p style="text-align: center;">N4-603616 ENCLOSURE ASSEMBLY</p>	
<p>NOTICE TO PERSONS RECEIVING THIS DRAWING: UNLESS OTHERWISE SPECIFIED DIMENSIONS ARE IN INCHES. SHEET METAL TOLERANCES NOT OTHERWISE SPECIFIED: FINISH: FRAC ± 1/16" JXX ± .02" JXX ± .010" ANGLES ± 0°-30" INSIDE BEND RADIUS = .040" NOM. WARPAGE = 1/16" PER FOOT ALL WELD SIZES ARE MIN.</p>	<p>ADALET CLAIMS PROPRIETARY RIGHTS IN THE MATERIALS INCORPORATED HEREIN. THIS DRAWING IS ISSUED IN CONFIDENCE FOR ENGINEERING INFORMATION ONLY AND MAY NOT BE REPRODUCED OR USED TO MANUFACTURE, WITHOUT EXPRESS WRITTEN PERMISSION FROM ADALET IS THE USER.</p>	<p>DRAWN BY: CLB DATE: 8/15/03 APP. APPROVAL: [Signature] DATE: [Date] DWG NO: 603616 REV: 10F1</p>	<p>DATE: 8/15/03 SCALE: 1=6 DWG BASE: D REV: A</p>