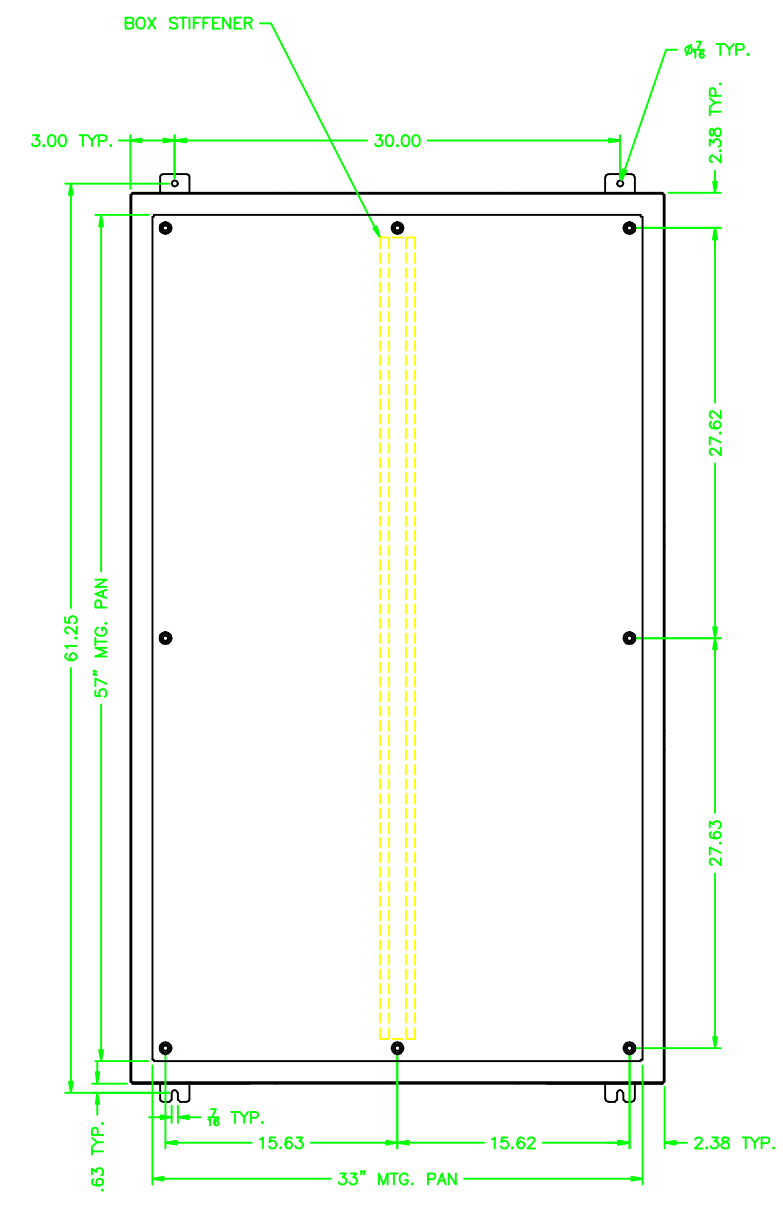
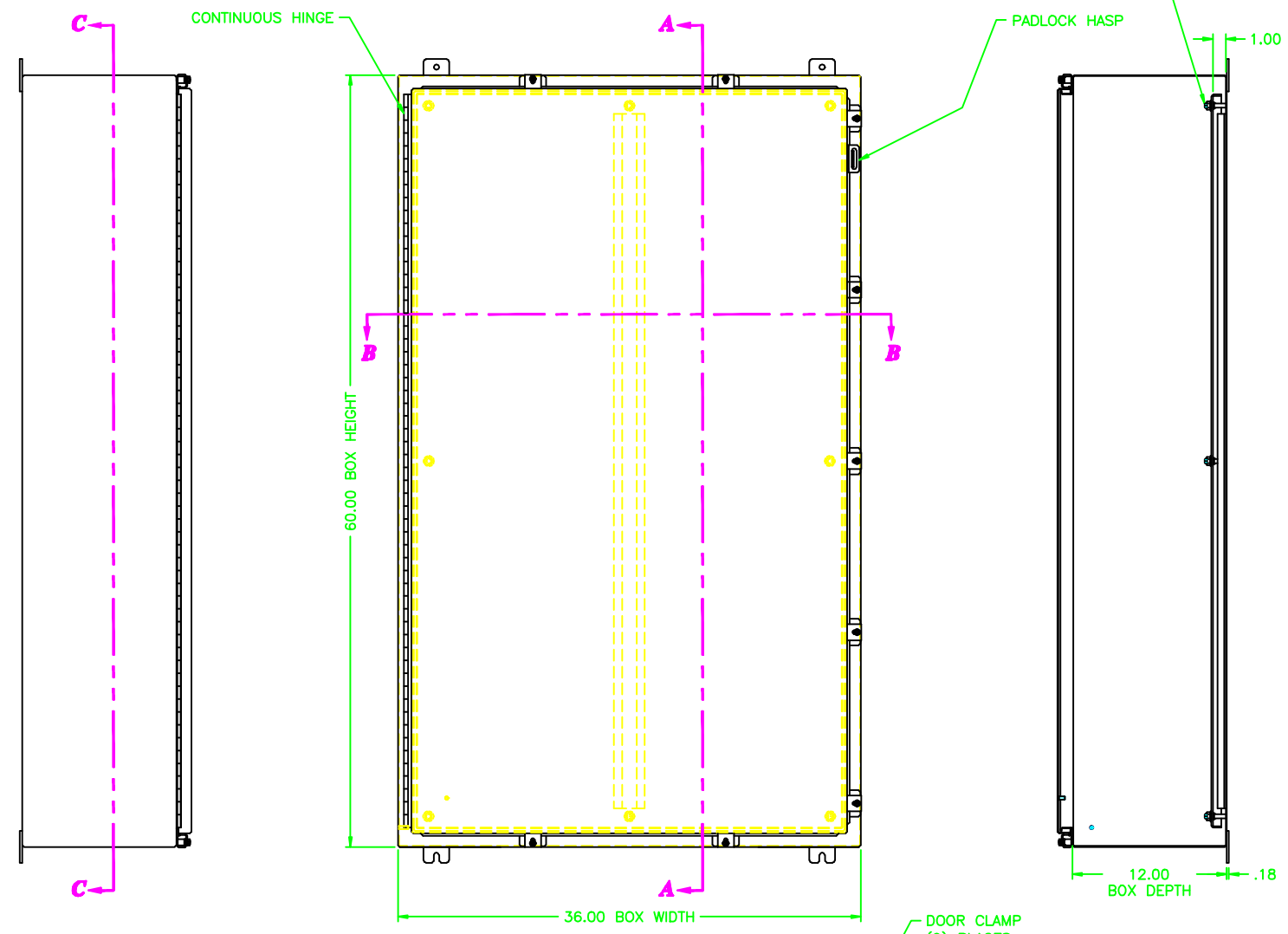
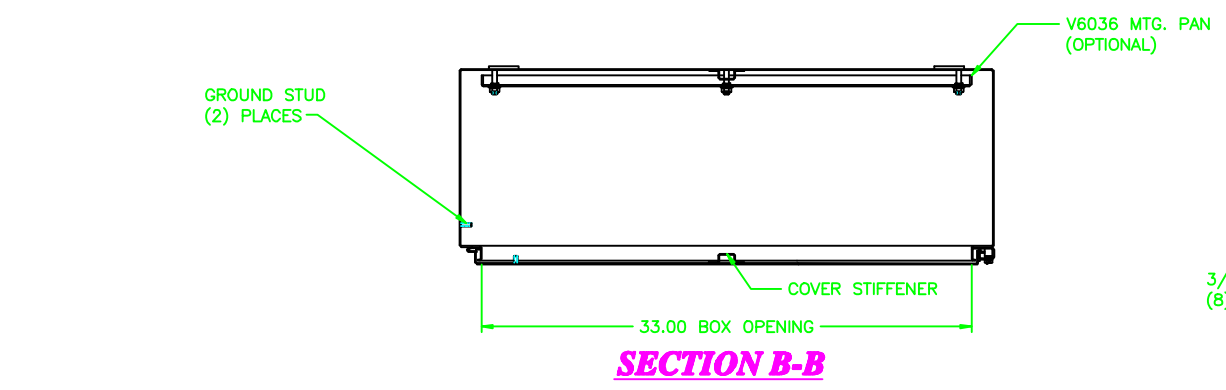


| REV | REVISION | BY | BCN | DATE |
|-----|-----------------|-----|-----|--------|
| A | INITIAL RELEASE | CLB | | 7/9/03 |

603612

UNCONTROLLED DRAWING

(DATA SUBJECT TO CHANGE WITHOUT NOTICE)
 FOR ADDITIONAL HELP CONTACT ENGINEERING@ADALET.com



| ENCLOSURE MATERIAL | CATALOG NUMBER | PART NUMBER |
|--------------------|----------------|-------------|
| 88316L | N4X6-603612 | M10273 |
| 88304 | N4X-603612 | M10179 |

| | | | | | |
|---|--|--|--|---|--|
| <p>DO NOT SCALE DRAWING</p> <p>UNLESS OTHERWISE SPECIFIED DIMENSIONS ARE IN INCHES.</p> <p>SHEET METAL TOLERANCES NOT OTHERWISE SPECIFIED:</p> <p>FINN ± .1/16"</p> <p>JXX ± .02"</p> <p>JXX ± .010"</p> <p>ANGLES ± 0°-30"</p> <p>INSIDE BEND RADIUS = .040" NOM.</p> <p>WARPAGE = 1/16" PER FOOT</p> <p>ALL WELD SIZES ARE MIN.</p> | | <p>ADALET</p> <p>A SCOTT FETZER COMPANY</p> <p>Enclosure Systems • Cable Accessories</p> | | <p>N4-603612 ENCLOSURE ASSEMBLY</p> | |
| <p>NOTICE TO PERSONS RECEIVING THIS DRAWING: ADALET CLAIMS PROPRIETARY RIGHTS IN THE MATERIALS, METHODS, AND EQUIPMENT USED IN THE DESIGN AND MANUFACTURE OF THIS DRAWING. NO REPRODUCTION OR USE IN MANUFACTURE, WITHOUT EXPRESS WRITTEN PERMISSION FROM ADALET TO THE USER.</p> | | <p>DRAWN BY: CLB</p> <p>DATE: 7/9/03</p> <p>APP. APPROVAL: [Signature]</p> <p>SCALE: 1=6</p> <p>REV. APPROVAL: [Signature]</p> <p>REV. DATE: D</p> | | <p>FIG. NO: 603612</p> <p>SHEET: 10F1</p> <p>REV: A</p> | |