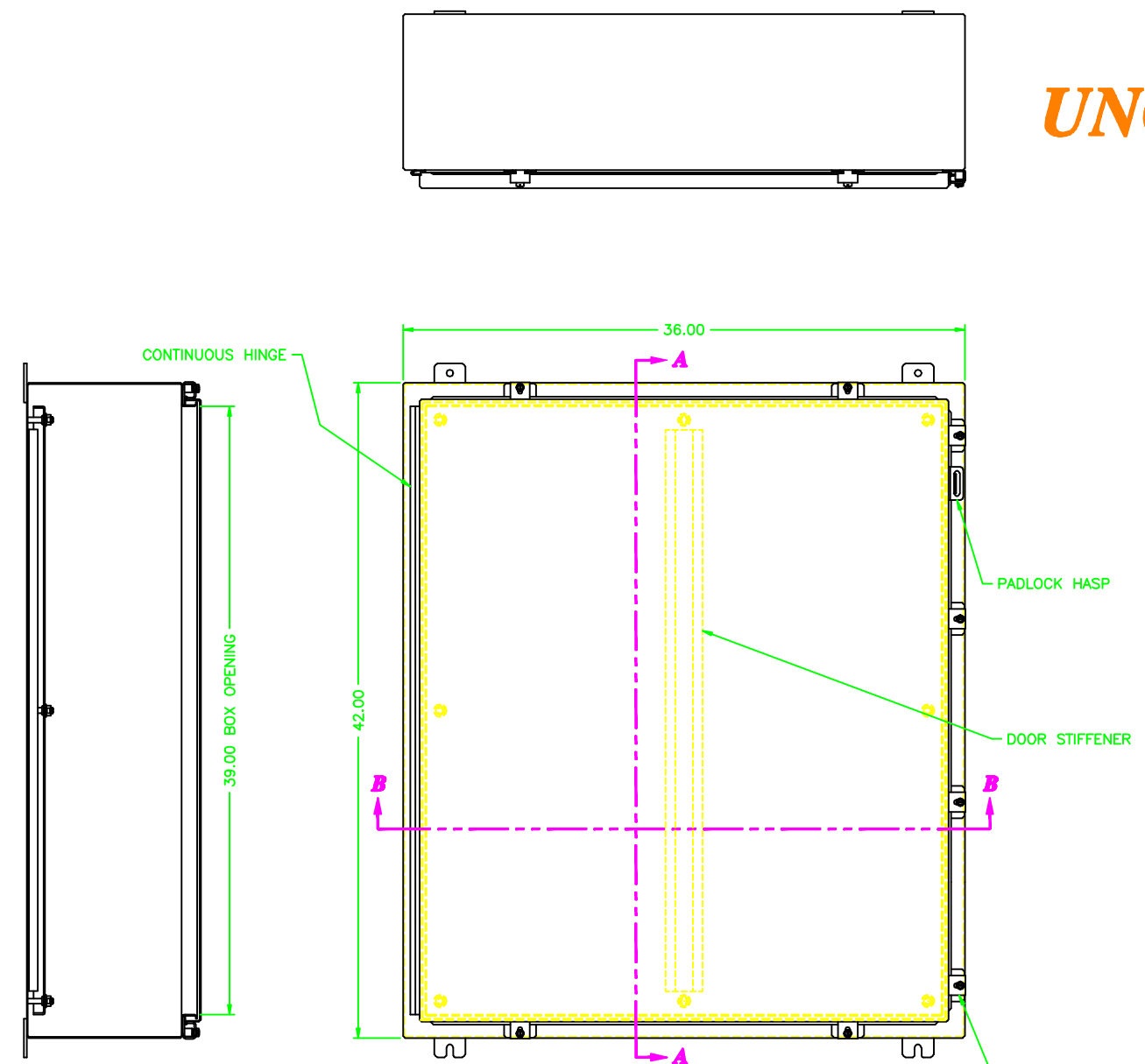


423610

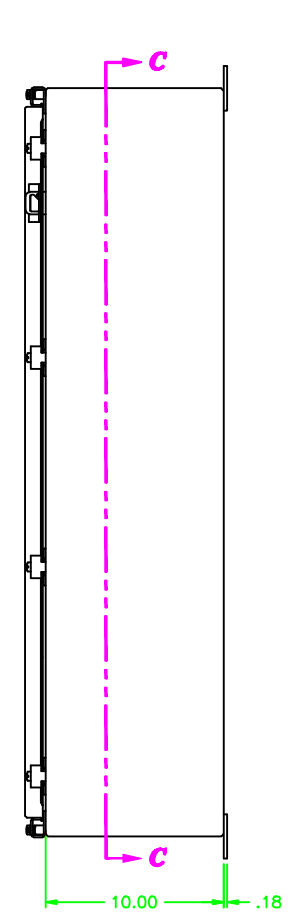
REV	REVISION	BY	DCN	DATE
A	INITIAL RELEASE	CLB		7/11/03

UNCONTROLLED DRAWING

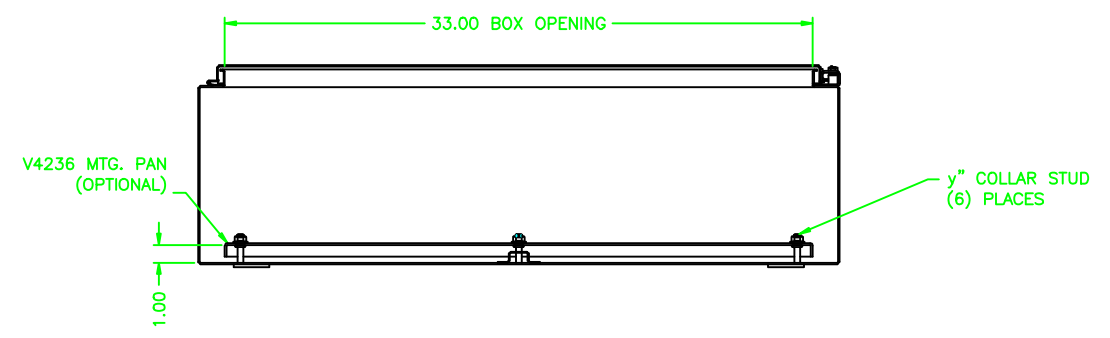
(DATA SUBJECT TO CHANGE WITHOUT NOTICE)
 FOR ADDITIONAL HELP CONTACT ENGINEERING@ADALET.com



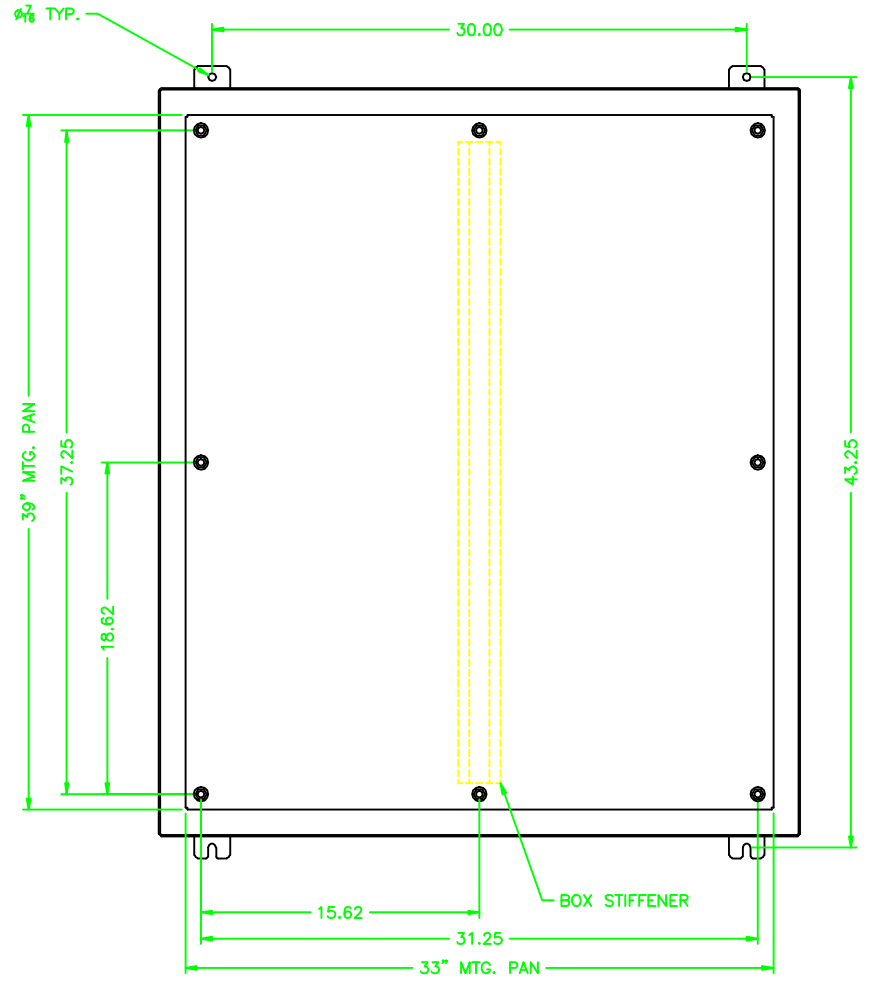
SECTION A-A



SECTION C-C



SECTION B-B



ENCLOSURE MATERIAL	CATALOG NUMBER	PART NUMBER
88318L	N4X6-423610	M10258
88304	N4X-423610	M10184

DO NOT SCALE DRAWING		UNLESS OTHERWISE SPECIFIED DIMENSIONS ARE IN INCHES.		SHEET METAL TOLERANCES NOT OTHERWISE SPECIFIED:		ADALET A SCOTT FETZER COMPANY Radiology Systems • Mobile Applications General Services		N4-423610 ENCLOSURE ASSEMBLY DRAWN BY: CLB DATE: 7/11/03 ENG APPROVAL: [Signature] MFG APPROVAL: [Signature] DWG NO: 423610 SHEET: 10F1 REV: A	
NOTICE TO PERSONS RECEIVING THIS DRAWING: ADALET CLAIMS PROPRIETARY RIGHTS IN THE MATERIAL INCLOSED HEREON. THE DRAWING IS ISSUED IN CONFIDENCE FOR ENGINEERING INFORMATION ONLY AND MAY NOT BE REPRODUCED OR USED TO MANUFACTURE, EITHER WHOLE OR PART, WITHOUT DIRECT WRITTEN PERMISSION FROM ADALET. IN THE USA.		FINISH: 8/1/16" JOX: ± .03" JOX: ± .010" ANGLES: 0°-30° INSIDE BEND RADIUS = .040" NOM. WARPAGE = 1/16" PER FOOT ALL WELD SIZES ARE MIN.		MATERIAL: FINISH: DAY NO:		DWG NO: 423610 SHEET: 10F1 REV: A			