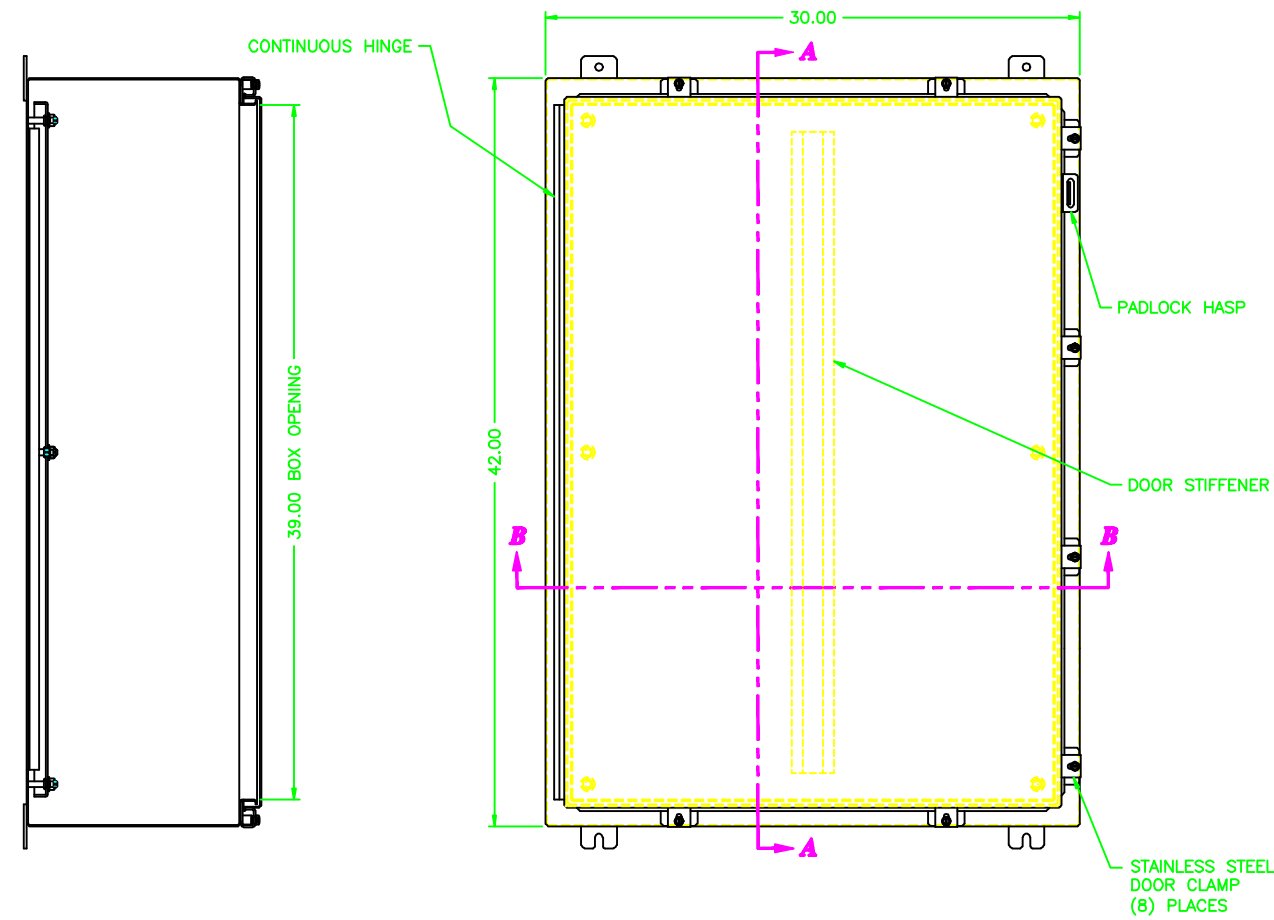
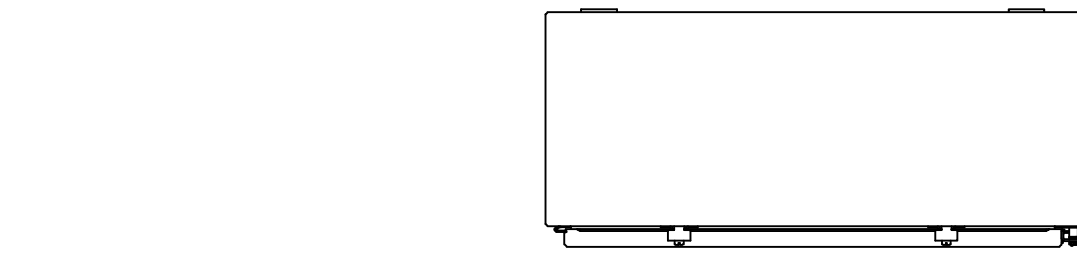


REV	REVISION	BY	DCN	DATE
A	INITIAL RELEASE	CLB		8/15/03

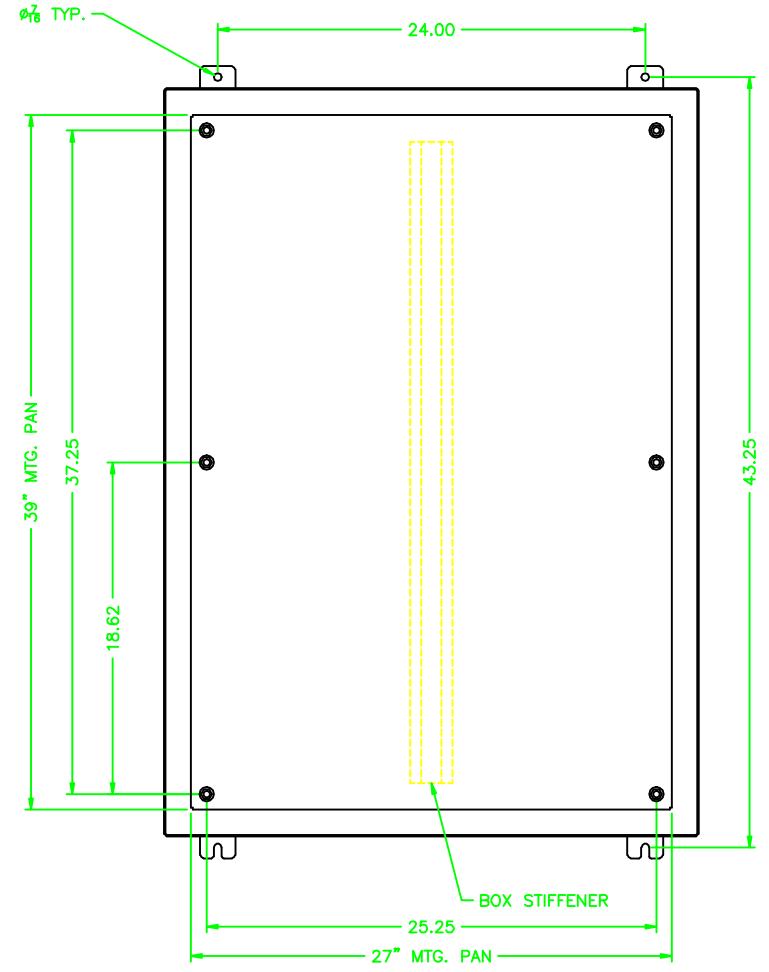
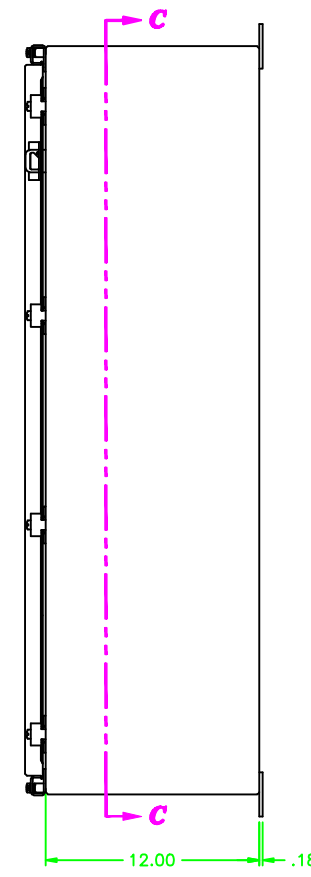
423012

# UNCONTROLLED DRAWING

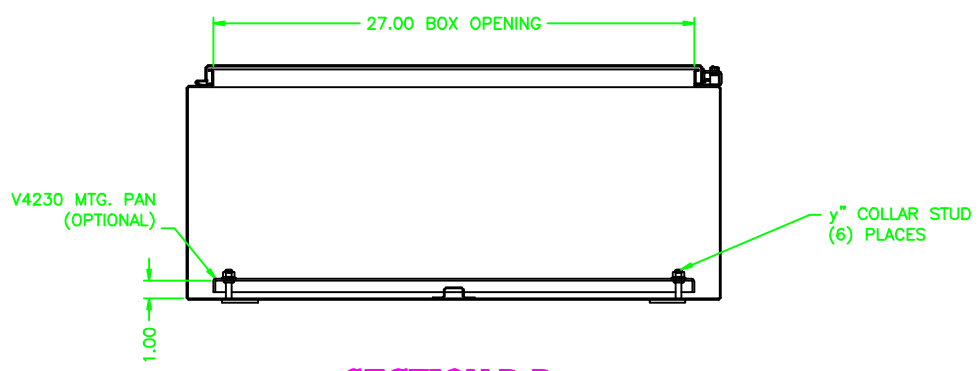
(DATA SUBJECT TO CHANGE WITHOUT NOTICE)  
 FOR ADDITIONAL HELP CONTACT ENGINEERING@ADALET.com



**SECTION A-A**



**SECTION C-C**



**SECTION B-B**

ENCLOSURE MATERIAL	CATALOG NUMBER	PART NUMBER
SS316L	N4X6-423012	M10270
SS304	N4X-423012	M10176

<p>UNLESS OTHERWISE SPECIFIED DIMENSIONS ARE IN INCHES.          SHEET METAL TOLERANCES NOT OTHERWISE SPECIFIED:</p> <p>FINISH: 316/18"          JOCK ± .02"          JOCK ± .010"          ANGLES ± 0°-30"          INSIDE BEND RADIUS = .040" NOM.          WARPAGE = 1/16" PER FOOT          ALL WELD SIZES ARE MIN.</p>		<p><b>ADALET</b>          A SCOTT FETZER COMPANY          Engineering Systems • Cable Assembly          Components • 584</p>		<p>N4-423012 ENCLOSURE ASSEMBLY</p>	
<p>NOTICE TO PERSONS READING THIS DRAWING:          ADALET CLAIMS PROPRIETARY RIGHTS IN THE MATERIALS, METHODS, AND THE DRAWING IS ISSUED IN CONFIDENCE FOR ENGINEERING INFORMATION ONLY AND MAY NOT BE REPRODUCED OR USED TO MANUFACTURE, EITHER WHOLE OR PART, WITHOUT WRITTEN PERMISSION FROM ADALET IN THE USA.</p>		<p>DRAWN BY: CLB          DATE: 8/15/03</p>		<p>REV: 1=5          DWG BASE: D</p>	
<p>DATE: 8/15/03</p>		<p>DWG NO: 423012</p>		<p>REV: 10F1 A</p>	