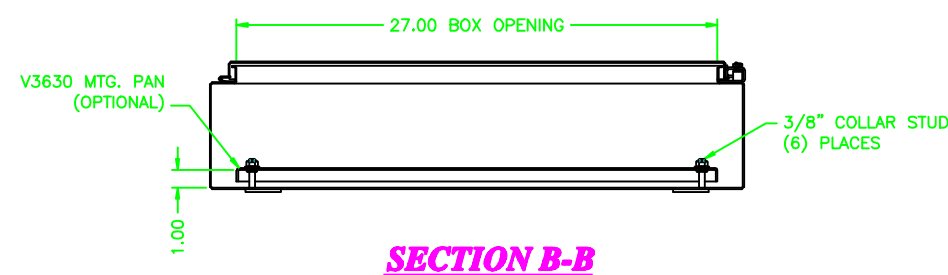
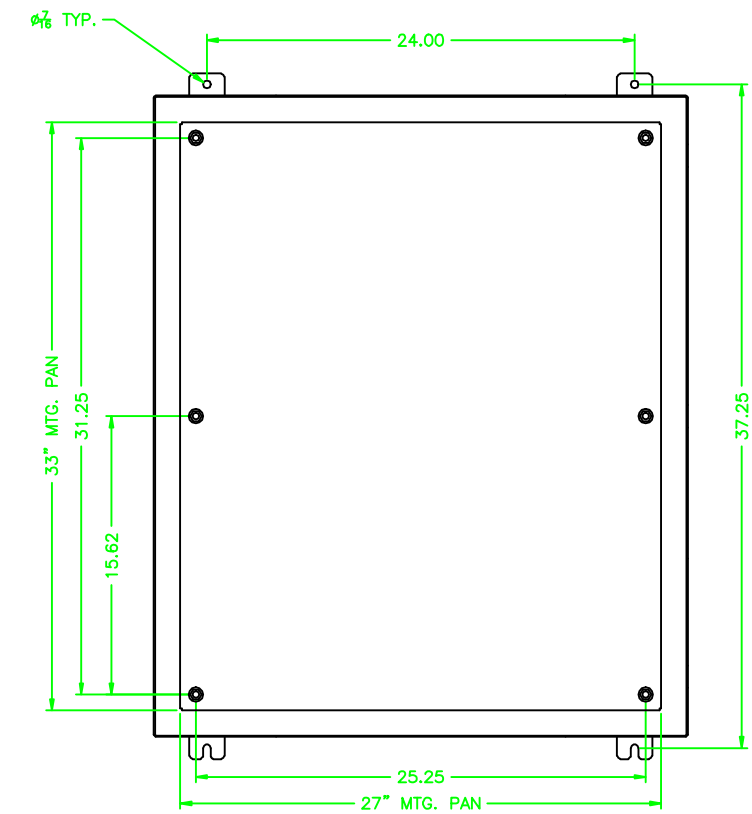
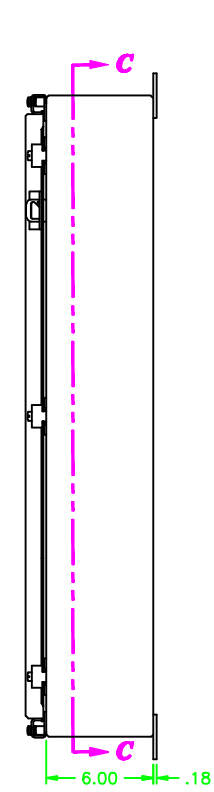
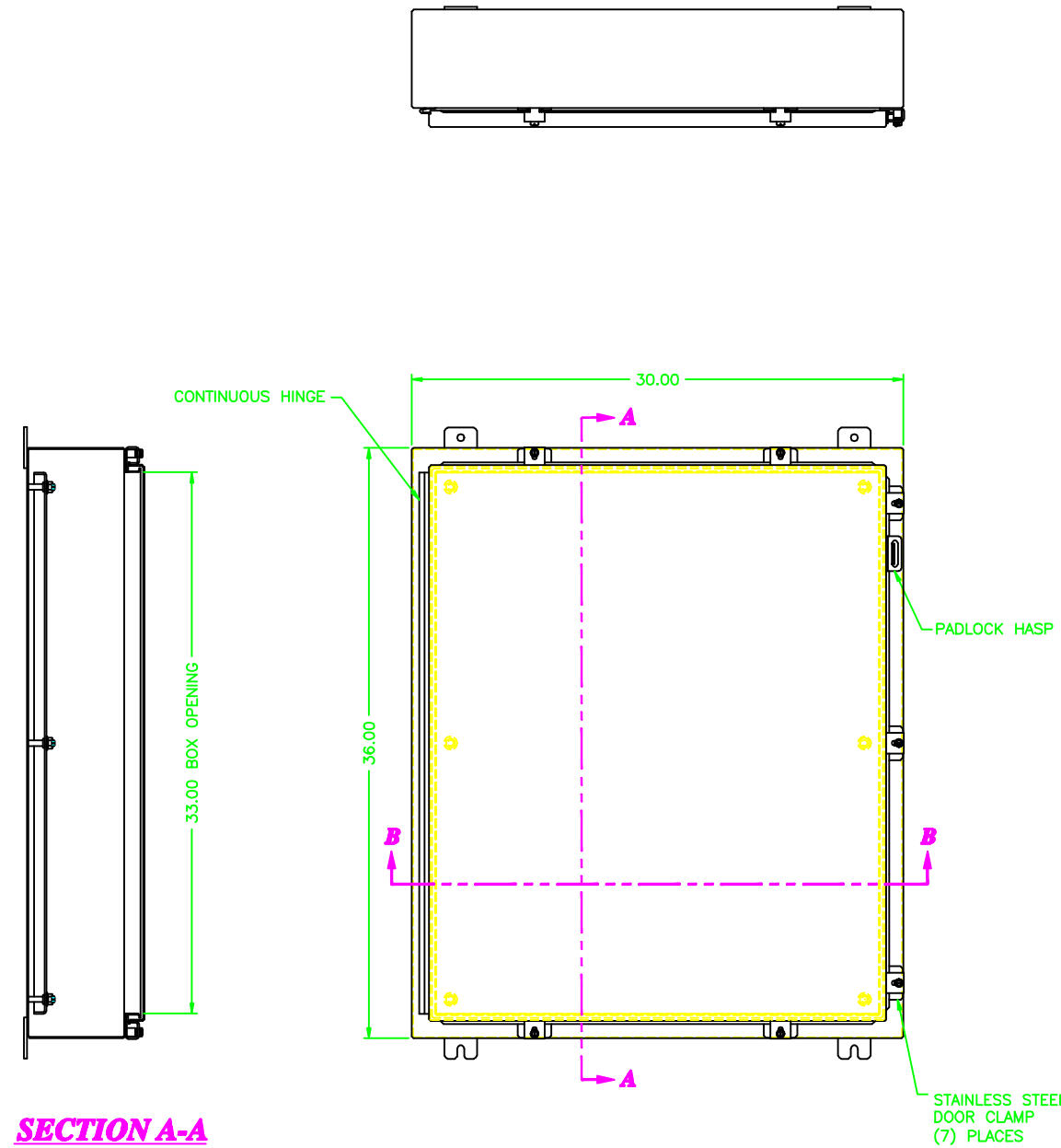


363006

REV	REVISION	BY	BCN	DATE
A	INITIAL RELEASE	CLB		6/4/03

# UNCONTROLLED DRAWING

(DATA SUBJECT TO CHANGE WITHOUT NOTICE)  
 FOR ADDITIONAL HELP CONTACT ENGINEERING@ADALET.com



ENCLOSURE MATERIAL	CATALOG NUMBER	PART NUMBER
SS316L	N4X8-363006	M10219
SS304	N4X-363006	M10125

<p>UNLESS OTHERWISE SPECIFIED DIMENSIONS ARE IN INCHES.</p> <p>SHEET METAL TOLERANCES NOT OTHERWISE SPECIFIED:</p> <p>FINN ±.1/16"</p> <p>JCK ±.02"</p> <p>JCK ±.010"</p> <p>ANGLES ± 0°-30"</p> <p>INSIDE BEND RADIUS = .040" NOM.</p> <p>WARPAGE = 1/16" PER FOOT</p> <p>ALL WELD SIZES ARE MIN.</p>		<p><b>ADALET</b></p> <p>A SCOTT FETZER COMPANY</p> <p>Enclosure Systems • Cable Accessories</p> <p>General Contractors • 504</p>	<p>DATE: 6/4/03</p> <p>BY: CLB</p> <p>SCALE: 1=5</p> <p>DWG NO: 363006</p> <p>SHEET: 10F1</p> <p>REV: A</p>
<p>NOTICE TO PERSONS RECEIVING THIS DRAWING: ADALET CLAIMS PROPRIETARY RIGHTS IN THE MATERIALS, METHODS, AND EQUIPMENT DESCRIBED HEREIN. THIS DRAWING IS ISSUED IN CONFIDENCE FOR ENGINEERING PURPOSES ONLY AND MAY NOT BE REPRODUCED OR USED TO MANUFACTURE, WITHOUT WRITTEN PERMISSION FROM ADALET TO THE USER.</p>		<p>N4-363006 ENCLOSURE ASSEMBLY</p>	