

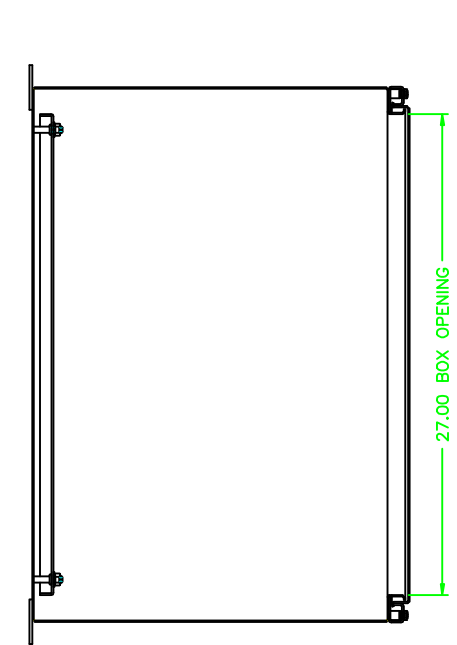
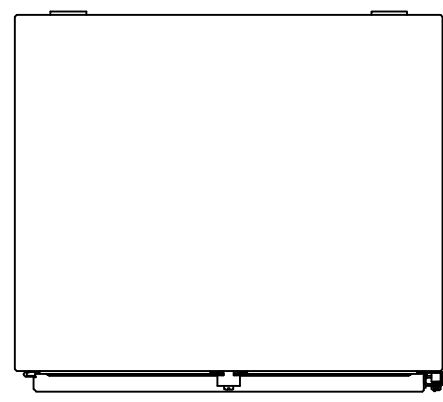
302420

REV	REVISION	BY	DCN	DATE
A	INITIAL RELEASE	CLB		8/15/03

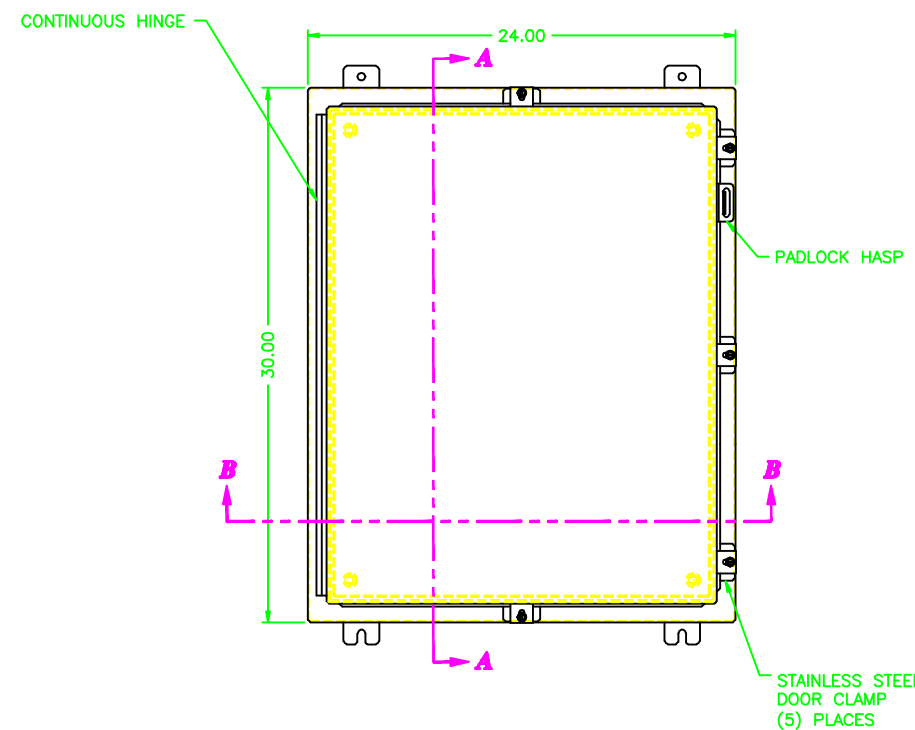
UNCONTROLLED DRAWING

(DATA SUBJECT TO CHANGE WITHOUT NOTICE)

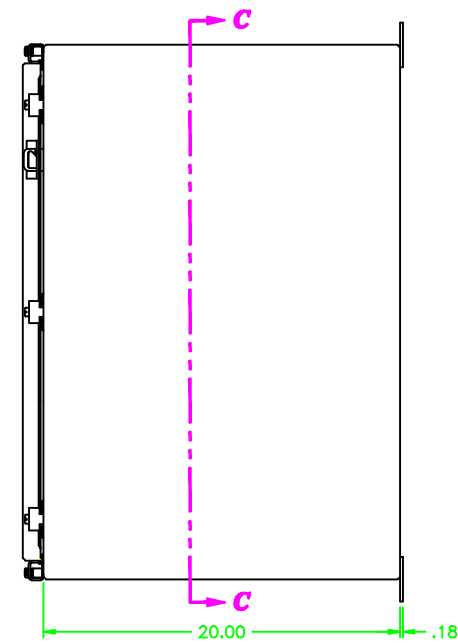
FOR ADDITIONAL HELP CONTACT ENGINEERING@ADALET.com



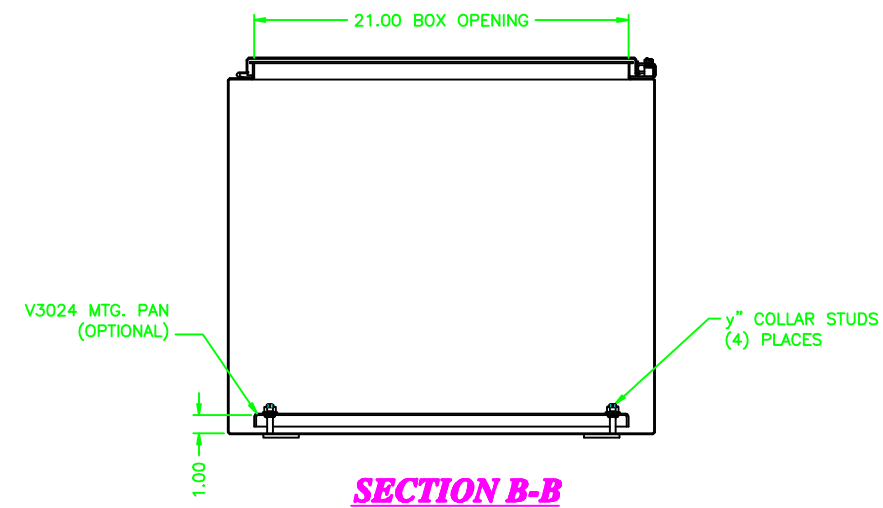
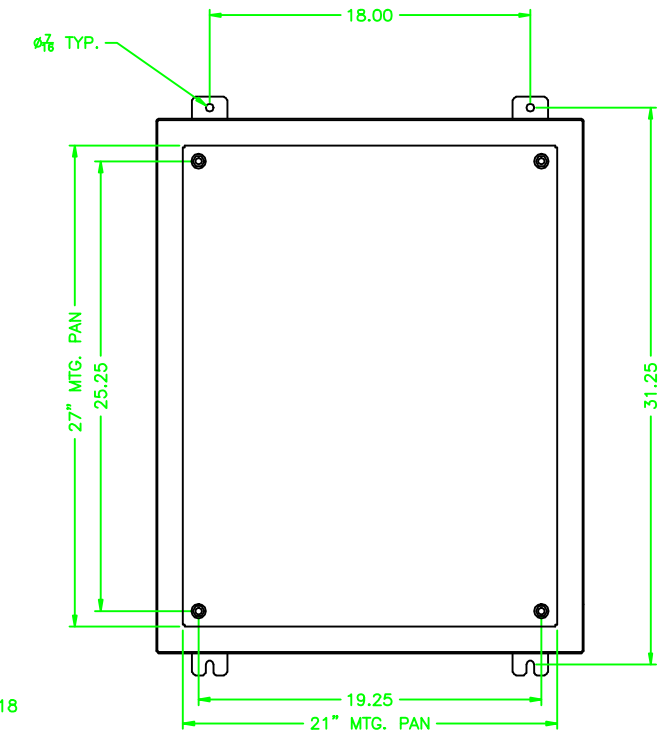
SECTION A-A



SECTION B-B



SECTION C-C



ENCLOSURE MATERIAL	CATALOG NUMBER	PART NUMBER
88310L	N4X8-302420	M10283
88304	N4X-302420	M10188

<small>UNLESS OTHERWISE SPECIFIED DIMENSIONS ARE IN INCHES.</small> <small>SHEET METAL TOLERANCES: NOT OTHERWISE SPECIFIED:</small> FINN ± 1/16" JOX ± .02" JOX ± .010" ANGLES ± 0°-30" INSIDE BEND RADIUS = .040" NOM. WARPAGE = 1/16" PER FOOT ALL WELD SIZES ARE MIN.		ADALET <small>A SCOTT FETZER COMPANY</small> Enclosure Systems • Cable Accessories General Hardware • 888-444-4444	N4-302420 ENCLOSURE ASSEMBLY DRAWN BY: CLB DATE: 8/15/03 PART APPROVAL: 1=5 DWG SIZE: D DWG NO: 302420 SHEET: 10F1 REV: A
--	--	--	--